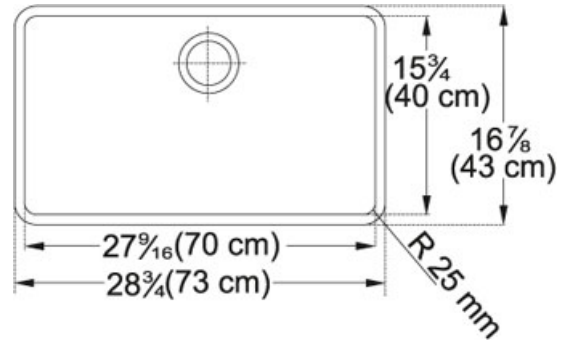


Kubus KBX11028 Stainless Steel | 122.0073.555

FAMILY : Sinks | SERIE : Kubus | MODEL : KBX11028 | FINISH : Stainless Steel | INSTALLATION TYPE : Undermount



TECHNICAL DATA

Franke Integral Ledge	BUILT-IN
Minimum Cabinet Size	33"
Drain Opening	3 1/2"
Length overall	28 3/4"
Width overall	16 15/16"
Length of large bowl	27 9/16"
Width of large bowl	15 3/4"
Depth of large bowl	9 1/16"
Number of Bowls	1
Type of Material	18 Gauge Stainless Steel
Cut-Out Template	Yes
Installation Clips	Yes

Kubus KBX11028 Stainless Steel | 122.0073.555

FAMILY : Sinks | SERIE : Kubus | MODEL : KBX11028 | FINISH : Stainless Steel | INSTALLATION TYPE : Undermount

RELATED PARTS



122.0068.632
