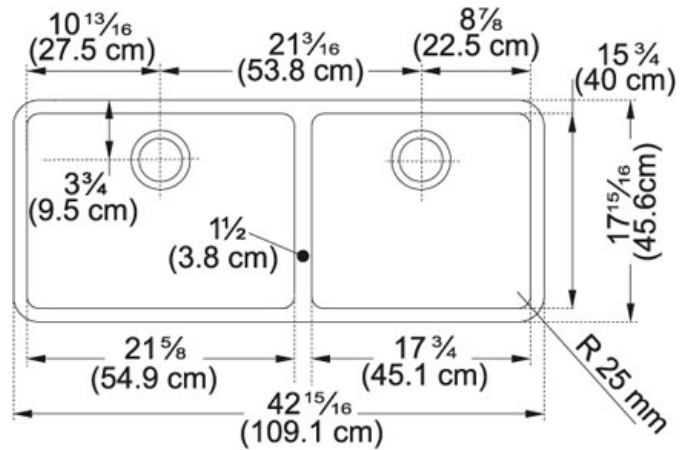


Kubus KBX12043 Stainless Steel | 122.0073.551

FAMILY : Sinks | SERIE : Kubus | MODEL : KBX12043 | FINISH : Stainless Steel | INSTALLATION TYPE : Undermount



TECHNICAL DATA

Franke Integral Ledge	BUILT-IN
Minimum Cabinet Size	48"
Drain Opening	3 1/2"
Length overall	42 15/16"
Width overall	17 15/16"
Length of large bowl	21 5/8"
Width of large bowl	17 15/16"
Depth of large bowl	9 1/16"
Length of small bowl	17 3/4"
Width of small bowl	17 15/16"
Depth of small bowl	9 1/16"
Number of Bowls	2
Cutout Length	556 mm
Cutout Width	425 mm
Type of Material	18 Gauge Stainless Steel
Cut-Out Template	Yes
Installation Clips	Yes

Kubus KBX12043 Stainless Steel | 122.0073.551

FAMILY : Sinks | SERIE : Kubus | MODEL : KBX12043 | FINISH : Stainless Steel | INSTALLATION TYPE : Undermount

RELATED PARTS



122.0073.404
