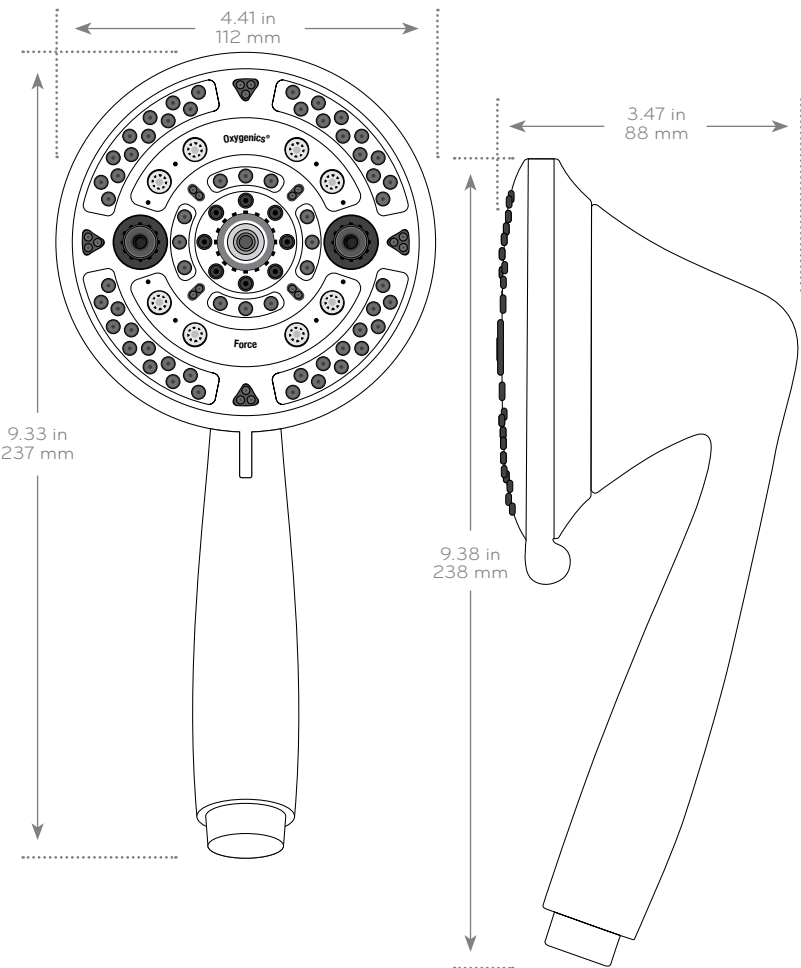


Submitted Model No.: _____

Specific Features: _____



PRODUCT SPECIFICATIONS:

- Dimensions:** 4.41" x 3.47" x 9.33"
- Weight:** 2 lb.
- Max Flow Rate:** 2.0 GPM
- Available Finishes:** Chrome, Brushed Nickel

SETTINGS:

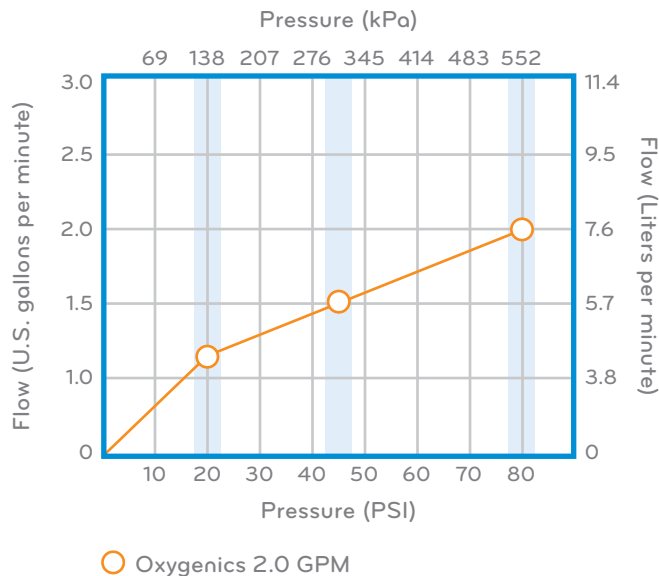


FEATURES:

- + **Multifunction shower head** with powerful Oxygenics core.
- + **10 functions** to offer customers versatility.
- + **4.4" face** for wider coverage.
- + **Rain shower** feel for half the price.
- + **Saves up to \$85+ dollars per year** compared to other water wasters.
- + **72" hose** for expanded reach anywhere in the shower.

WHAT'S INCLUDED:

- + Handheld Shower + 72" Hose + Holder
- + Plumber's Tape



"NEVER CLOG!" Warranty

Limited lifetime performance warranty against failure or clogging.

