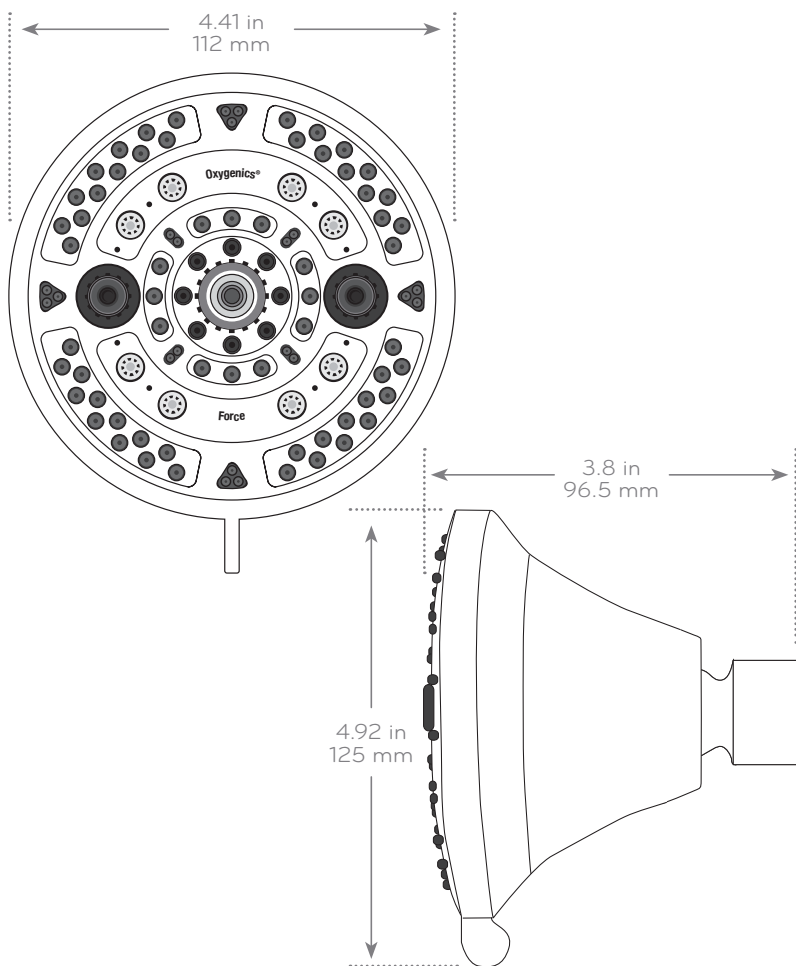




Submitted Model No.: _____

Specific Features: _____



PRODUCT SPECIFICATIONS:

- Dimensions:** 4.92" x 3.41" x 3.8"
- Weight:** 1 lb.
- Max Flow Rate:** 2.0 GPM
- Available Finishes:** Chrome, Brushed Nickel

SETTINGS:

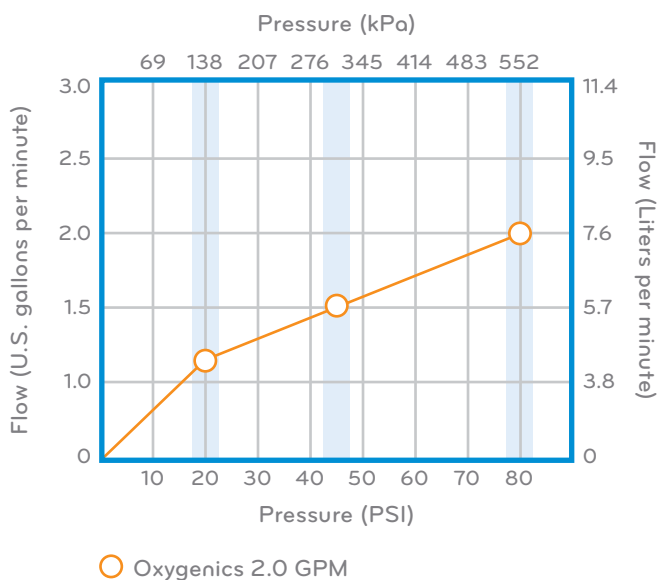


FEATURES:

- + Multifunction shower head with **powerful Oxygenics core.**
- + **Rain shower feel** for half the price.
- + Design and styling **based on best-selling Oxygenics models.**
- + **Saves \$85 dollars per year** compared to other water wasters.
- + **Metal base and superior construction** ensure a lifetime of performance.
- + **Over 67% more powerful** than other comparable shower heads.

WHAT'S INCLUDED:

- + Fixed Shower + Plumber's Tape



"NEVER CLOG!" Guarantee

Limited lifetime performance warranty against failure or clogging.

