

FRIGIDAIRE

GALLERY.



Dishwashers

FGID2474Q F/W/B

24" Built-In



Signature Features



Fan-Assisted Air Dry
Excellent drying performance.



DishSense™ Technology
Sensors select the cycle for you based on your cleaning needs.



Fits-More™ Capacity
Our large capacity, tall-tub dishwasher fits up to 14 place settings so you can wash even more at once.



Smudge-Proof™ Stainless Steel¹
Resists fingerprints and smudges so it's easy to clean.

Product Dimensions

Height (Adjustable)	33-7/8" – 34-7/8"
Width	24"
Depth (Including Door)	24-5/8"

More Easy-To-Use Features

Stainless Steel Interior

Premium stainless steel interior for maximum durability.

Energy Saver Plus Cycle

Eco-friendly cycle uses less energy without compromising cleaning performance.

Energy Saver Dry Option

No heat dry option.

SpaceWise® Organization System

Our SpaceWise® Organization System features adjustable racks and the Largest Silverware Basket² so there's a place for virtually anything.

Most Adaptable Delay Start

1-24-hour options.

NSF® Certified

Sanitize cycle removes 99.9% of common household bacteria.

Largest Silverware Basket²

There's room for over 180 items in our multi-compartment silverware basket.

SpaceWise® Adjustable Upper Dish Rack

Flexible racking system lets you adjust the top rack to fit taller items.

Express-Select® Controls

Easily select options with the touch of a button.

Stay-Put Door

The door stays put at whatever angle you open it.

ENERGY STAR®

NSF® International Certification



Available in:



Stainless (F)



White (W)



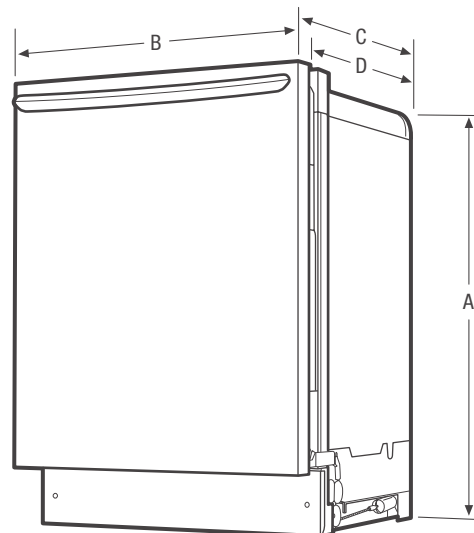
Black (B)

¹Select model only.

²Among leading brands.

Features	
Control Design	Fully-Integrated Express-Select®
Digital Display	Yes
Door Latch/Stay-Put Door Hinge Design	Yes/Yes
Low Rinse-Aid Indicator Light	
Interior Design/Interior Color	Tall Tub/Stainless Steel
Wash System	Direct
Wash Levels/Wash Speeds	5/5
DishSense™ Technology	Yes
AquaSurge™ Technology	
Sound Package	SilentDesign™
Filter/Filter Trap	S. Steel/Removable
Soft Food Disposer	
dB Level	51
Drying System (Fan Assisted)	Static Vent
Cycles	
Number of Cycles	7
PowerPlus® (Heavy)	Yes
Normal	Yes
Light	
Quick	Yes
Favorite	Yes
China Crystal	Yes
Rinse Only	Yes
Energy Saver Plus	Yes
Upper Rack Wash Only	
Cycle Indicator Light/Control Lock	No/Yes
Options	
Heat/No Heat Dry	Yes
Hi-Temp Wash	Yes
NSF® Certified Sanitize Rinse	Yes
Delay Start	1-24 Hour
Rack System	
Rack Design	Deluxe
Rack Coating	Nylon TufRacks™
Upper Rack -	
Rack Handles	Yes
Stemware/Champagne Glass Holders	Yes
Fold-Down Tines	Yes
Cup Shelves	2
Utensil Tray	
Adjustable Rack Height	Yes
Lower Rack -	
SpaceWise® Silverware Basket	3-Piece Split
Fold-Down Tines	2 Full Rows
Small Items Cover	3
Certifications	
ENERGY STAR®	Yes
NSF® International Certification	Yes
Specifications	
Water Inlet Location	Left Bottom Front
Water Usage (Gallons)	4.0 - 8.0
Water Pressure (PSI)	20 - 120
Integral Air Gap on Supply	Yes
Leveling Legs	4
Power Supply Connection Location	Right Bottom Front
Voltage Rating	120V / 60Hz / 15A
Connected Load (kW Rating) @ 120 Volts ¹	1.44
Amps @ 120 Volts	15
Shipping Weight (Approx.)	91 Lbs.

¹ For use on adequately wired 120V, dedicated circuit having 2-wire service with a separate ground wire. Appliance must be grounded for safe operation.



NOTE: For planning purposes only. Always consult local and national electric and plumbing codes. Refer to Product Installation Guide for detailed installation instructions on the web at frigidaire.com.



Product Dimensions	
A - Height (Adjustable)	33-7/8" - 34-7/8"
B - Width	24"
C - Depth (Including Door)	24-5/8"
D - Depth (To Tub Flange)	23"
Depth with Door Open 90°	49-7/8"

Cutout Dimensions	
Height (Min.)	35"
Height (Max.)	35-1/4"
Width (Min.)	24"
Depth (Min.)	24"

Accessories information available on the web at frigidaire.com

FRIGIDAIRE

USA • 10200 David Taylor Drive • Charlotte, NC 28262 • 1-800-FRIGIDAIRE • frigidaire.com
 CANADA • 5855 Terry Fox Way • Mississauga, ON L5V 3E4 • 1-800-265-8352 • frigidaire.ca

FGID2474Q 01/14

© 2014 Electrolux Home Products, Inc.

Specifications subject to change.