



Electrolux

# DISHWASHERS

EI24ID30Q S/W/B

Featuring IQ-Touch™ Electronic Controls



## PRODUCT DIMENSIONS

Height (Adjustable)	33-3/4" – 35-3/4"
Width	23-3/4"
Depth	24-1/4"

## MORE EASY-TO-USE FEATURES

### AQUALUX™ WASH SYSTEM

A unique washing system that uses alternating wash arms, for a quieter and more efficient operation.

### PLATINUM STAR® LIMITED WARRANTY

Our exclusive limited warranty that includes a 3-year coverage on parts and one year on labor without charge<sup>3</sup>.

### LUXURY-DRY™ SYSTEM

Uses a high-efficiency fan for outstanding drying results.

### LUXURY-GLIDE® RACKS

With our Luxury-Glide® technology, upper and lower racks are so smooth they extend effortlessly.

### SURE-2-FIT® RACKING SYSTEM

The most versatile and adjustable racking system — there's a perfect place for over 180 items, from chopsticks to stockpots to stemware. In its lowest position, you can fit 10" dinner plates in the top rack and 12" dinner plates in the bottom.

### LUXURY-HOLD™ DOOR

Our door stays put at whatever angle you place it.

### MULTIPLE WASH CYCLES AND OPTIONS

Up to nine wash cycles and five wash options, including Auto Wash, Heavy, Normal, Quick, Eco Wash, Stemware, and Rinse Only.

### LEAK DETECTION SYSTEM

Detects water leaks and immediately stops and drains the dishwasher while sounding an audible and visible alarm.

### SANITIZE RINSE AND DELAY START (2, 4 OR 6 HRS.)

## SIGNATURE FEATURES



### LARGEST USABLE CAPACITY

Largest usable capacity<sup>1</sup> in its class, so even your dinner party dishware fits.



### ENERGY STAR®

ENERGY STAR®-Qualified means at least 41% less energy is used<sup>2</sup>.



### IQ-TOUCH™ CONTROLS

For those who like to have their options always visible on their dishwasher, the IQ-Touch™ control panel displays all of your options, at all times.



### AUTO WASH FEATURE

A SmartSoil™ Sensor technology that determines how long the wash cycle should run, for a more effective operation.

Available in:



Stainless (S)



White (W)



Black (B)

<sup>1</sup>As measured by adjusted rack space.

<sup>2</sup>Than the federal minimum standard for energy consumption.

<sup>3</sup>Eligibility based on product registration with Electrolux North America within 60 days of purchase. Products must have been purchased on or after July 1, 2013. Coverage includes material parts for 3 years and labor for 1 year.

# DISHWASHERS

EI24ID30Q S/W/B



## 24" BUILT-IN DISHWASHER

### FEATURES

Stainless Steel Interior	Yes
Signature Soft-Arc Handle Design	Yes
Luxury-Hold™ Door	Yes
IQ-Touch™ Electronic Controls	Yes
Fully Integrated Control Panel	Yes
Tall-Tub Design	Yes
SmartSoil™ Sensor	Yes
Luxury-Quiet™ Sound Package	Yes
Sound Level	49 dB
Wash Levels	5
AquaLux™ Wash System	Yes
Luxury-Dry™ System	Yes
Adjustable Rinse Aid Dispenser with Indicator	Yes
ENERGY STAR®	Yes
Reclaimable	

### CYCLES

Auto Wash	Yes
Heavy	Yes
Normal	Yes
Quick	Yes
China/Crystal	
Favorite	
Eco Wash	Yes
Rinse Only	Yes

### OPTIONS

Hi-Temp. Wash	3
Air Dry	Yes
NSF® Certified Sanitize Option	Yes
Delay Start (Hours)	2-4-6

### RACK SYSTEM

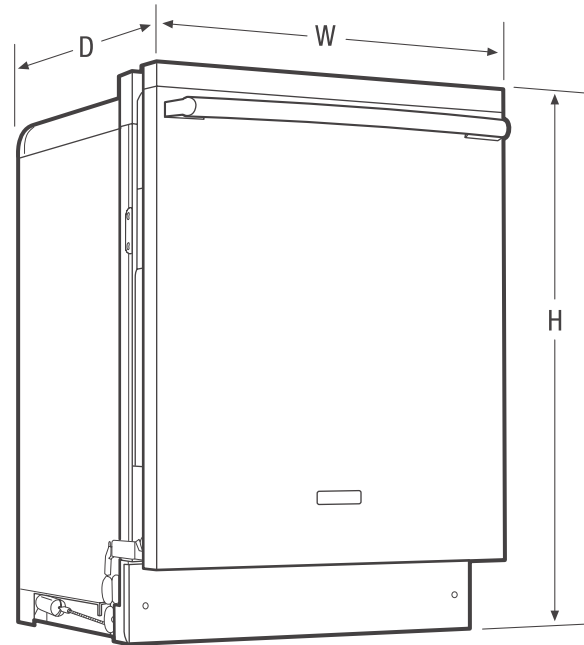
Nylon Rack System	Sure-2-Fit®
Luxury-Glide® Nylon Upper Rack –	
Adjustable Height	Yes
Cup Shelf/Stemware Holder	2/Yes
Fold-Down Tines	2 Rows
Rack Handle	Yes
Luxury-Glide® Nylon Lower Rack –	
Fold-Down Tines	2 Rows
Silverware Basket	3-Piece Split
Rack Handle	Yes

### SPECIFICATIONS

Color –	
Stainless Steel	S
White	W
Black	B
Power Supply Location	Right Bottom Front
Water Inlet Location	Left Bottom Front
Water Usage (Gallons) – Normal Cycle	4.0 – 8.0
Water Pressure (PSI)	15 – 120
Integral Air Gap on Supply	Yes
Voltage Rating	120V/60 Hz/15A
Connected Load (kW Rating) @120 Volts†	1.44
Amps @ 120 Volts	15
Shipping Weight (Approx.)	115 Lbs.

† For use on adequately wired 120V, dedicated circuit having 2-wire service with a separate ground wire. Appliance must be grounded for safe operation.

NOTE: Always consult local and national electric and plumbing codes. Refer to Product Installation Guide for detailed installation instructions on the web at [electroluxappliances.com](http://electroluxappliances.com). Specifications subject to change.



### PRODUCT DIMENSIONS

Height (Adjustable*)	33-3/4" – 35-3/4"
Width	23-3/4"
Depth	24-1/4"
Depth with 90° Door Open	50-1/4"

\*Height only adjustable to 34-11/16" max. when installed in 35" max. standard cabinetry cutout to allow for 5/16" min. clearance.

## Electrolux Major Appliances, N.A.

USA • 10200 David Taylor Drive • Charlotte, NC 28262 • 1-877-4electrolux (1-877-435-3287) • [electroluxappliances.com](http://electroluxappliances.com)  
 CANADA • 5855 Terry Fox Way • Mississauga, ON L5V 3E4 • 1-800-265-8352 • [electroluxappliances.ca](http://electroluxappliances.ca)

EI24ID30Q 02/14

© 2014 Electrolux Home Products, Inc.



High standards of quality at Electrolux Home Products, Inc. mean we are constantly working to improve our products. We reserve the right to change specifications or discontinue models without notice.