



Built-In All Freezer

Professional Series

E32AF85PQS



PRODUCT DIMENSIONS

Height	71-3/8"
Width	32"
Depth	26-1/2"

MORE EASY-TO-USE FEATURES

PureAdvantage® Air Filter

Keeps clean, filtered air circulated throughout to prevent odor transfer.

Theatre Lighting

Our ramp-up designer LED lighting is as beautiful as it is functional, keeping the contents clearly visible.

Custom-Design™ Glass Shelves

Extra-wide glass shelves provide enough space for large platters and are designed to keep spills contained, making them easy to clean.

Custom-Set™ Controls

Offer more precise temperature control.

Extreme Freeze™

Freezes food faster to lock in freshness.

Alarm System

Notifies you if there's been a power failure, if a door stays open longer than five minutes and if the interior temperature of the freezer rises above 23 degrees for more than 60 minutes.

Automatic Ice Maker

Ensures you'll always have extra ice on hand.

Available In:



Stainless (S)

Signature Features



Custom-Fit™ Capacity

More space inside gives you plenty of space to stock up so you'll always have food on hand for any occasion.



Custom-Design™ Organization System

The ultimate organization system features adjustable glass shelves, Smooth-Glide® full-width baskets and tilt-out door racks.



Soft Freeze™ Bin

Perfect storage for things like ice cream or anything you want to keep frozen, but still soft for serving.



Smooth-Glide® Freezer Drawers

Full-width drawers glide out smoothly and fully extend, giving you easy access to what's inside.

Optional Trim Kits

84" Louvered Trim Kits

(ECP8436SS & ECP8472SS)
Designed as a replacement option for the Sub-Zero® brand 650 Series models and for new-build installation.

79" Louvered/75" Collar Trim Kits¹

(TRIMKITSS1 & TRIMKITSS2)
Designed as a replacement option for Electrolux ICON® brand models E32AR75FPS and E32AF75FPS and for new-build installation.

72" Collar Trim Kits

(ECP7236SS & ECP7272SS)
Designed as a replacement option for the Sub-Zero® brand 601 Series models and for new-build installation.

¹Kits are designed to fit either 79" or 75" opening height. For 79" cutout opening height, installation requires use of top louvered grille; for 75" cutout opening height, installation requires use of top trim piece and shortening of both side trim pieces. Sub-Zero® is a registered trademark of Sub-Zero, Inc.

Built-In All Freezer

E32AF85PQS professional series



BUILT-IN ALL FREEZER

CAPACITIES

Volume	18.6 Cu. Ft.
Shelf Area	19.7 Sq. Ft.

EXTERIOR

Professional Door and Handle Design	Yes
Hidden Door Hinge Covers	Yes

INTERIOR CONVENIENCES

PureAdvantage® Air Filter	Yes
Air Filter Indicator	Yes
Electronic Control Lock	Yes
Custom-Design™ Glass Shelves	2 Adjustable
Smooth-Glide® Full-Width Bottom Basket	1
Smooth-Glide® Full-Width Mid-Level Baskets	2
Soft Freeze™ Bin	Yes
Extreme Freeze™	Yes
Adjustable Door Bins	4
Theatre LED Lighting	Yes
Custom-Set™ Digital Temperature Control System	Yes
Temp Alarm System/Door-Ajar Alarm/Power Failure Alarm	Yes
Ice Maker	Yes
Door Closer	Yes
Luxury-Quiet™ Design	Yes

ADDITIONAL FEATURES

Sabbath Mode (Star-K® Certified)	Yes
----------------------------------	-----

ACCESSORIES

84" Louvered Trim Kits:	Single – PN# ECP8436SS	Optional
	Double – PN# ECP8472SS	Optional
72" Collar Trim Kits:	Single – PN# ECP7236SS	Optional
	Double – PN# ECP7272SS	Optional
79" Louvered/75" Collar Trim Kits:	Single – PN# TRIMKITSS1	Optional
	Double – PN# TRIMKITSS2	Optional

SPECIFICATIONS

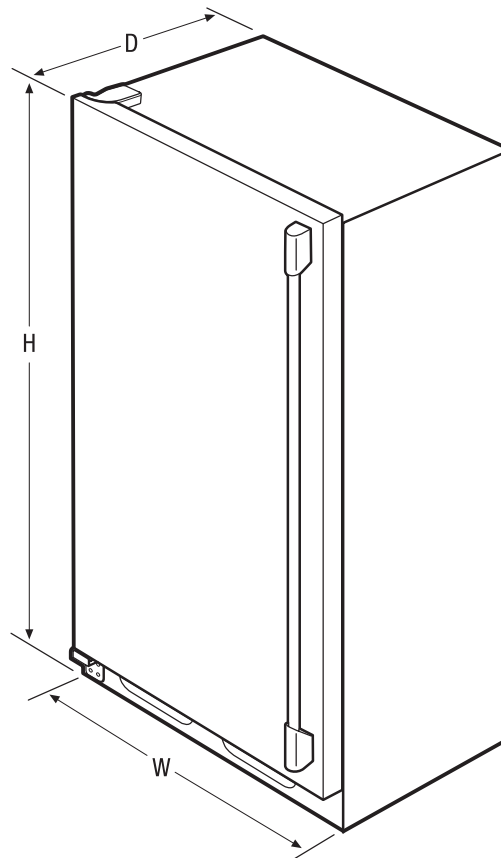
Power Supply Connection Location	Right Bottom Rear
Water Inlet Location	Left Bottom Rear
Voltage Rating	115V/60 Hz
Connected Load (kW Rating) @ 120 Volts ²	0.55
Minimum Circuit Required (Amps)	20
Shipping Weight (Approx.)	255 Lbs.

¹Kits are designed to fit either 79" or 75" opening height. For 79" cutout opening height, installation requires use of top louvered grille; for 75" cutout opening height, installation requires use of top trim piece and shortening of both side trim pieces.

²An electrical supply with grounded three-prong receptacle is required. The power supply circuit must be installed in accordance with current edition of National Electrical Code (NEC® 70) and local codes & ordinances.

NOTE: Always consult local and national electric and plumbing codes. Refer to Product Installation Guide for detailed installation instructions on the web at electroluxicon.com.

Specifications subject to change.



PRODUCT DIMENSIONS

Height (Cabinet)	70-5/8"
(Including Door)	71-3/8"
Width	32"
Depth (Including Door)	26-1/2"
(With 90° Door Open)	57-1/4"

Electrolux Major Appliances, N.A.

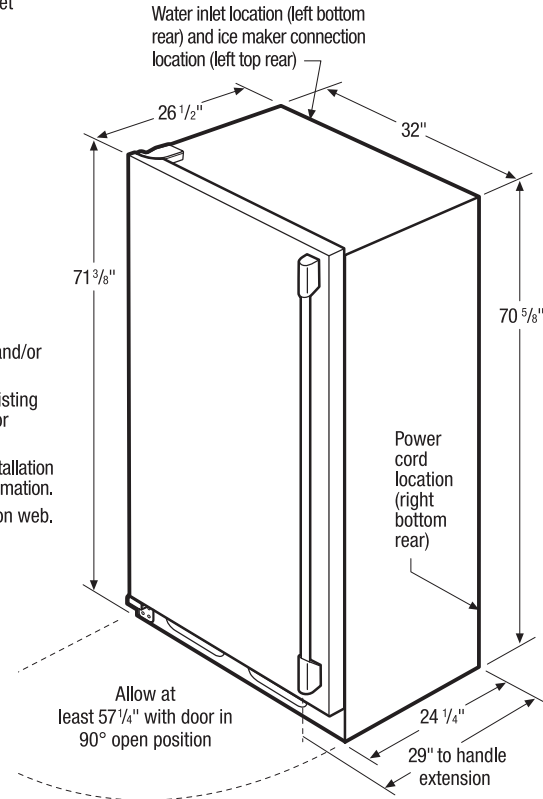
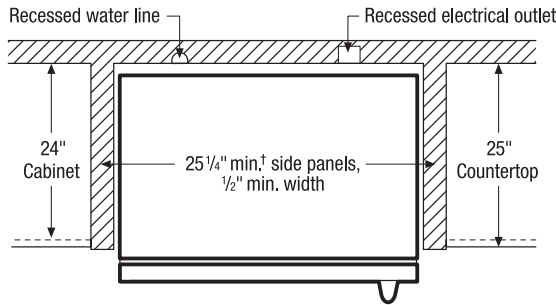
USA • 10200 David Taylor Drive • Charlotte, NC 28262 • 1-877-4electrolux (1-877-435-3287) • electroluxicon.com
 CANADA • 5855 Terry Fox Way • Mississauga, ON L5V 3E4 • 1-800-265-8352 • electroluxicon.ca

E32AF85PQS 09/14

© 2014 Electrolux Home Products, Inc.



High standards of quality at Electrolux Home Products, Inc. mean we are constantly working to improve our products. We reserve the right to change specifications or discontinue models without notice.



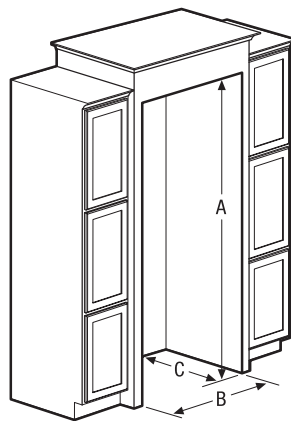
Optional Trim Kits

Optional Trim Kits available for built-in installation with All Refrigerator and/or All Freezer – requiring different cutout dimensions.

Designed as built-in replacement option for any model(s) having pre-existing opening(s) with same cutout dimensions as stated for specific Trim Kit or for new-build installation.

For Trim Kit specifications and drawings, refer to model-specific Trim Kit Installation pages on web for required cutout dimensions and installation planning information.

For detailed Trim Kit installation, refer to instructions packed with kit or on web.



84" Louvered Trim Kits

Single (PN# ECP8436SS)
Double (PN# ECP8472SS)

72" Collar Trim Kits

Single (PN# ECP7236SS)
Double (PN# ECP7272SS)

79" Louvered / 75" Collar Trim Kits

Single (PN# TRIMKITSS1)
Double (PN# TRIMKITSS2)

All-Freezer Cutout Dimensions

Built-In Installation (without optional Trim Kit)

Single Unit (A) 72" (B) 33" (C) 25 1/4" min.†

Double Unit (Side-by-Side) (A) 72" (B) 66" (C) 25 1/4" min.†

†Minimum depth from face of cabinet side panels and requires recessed electrical outlet and water line.

32" Built-In All Freezer Specifications

- Product Weight – 245 Lbs.
- An electrical supply with grounded three-prong receptacle is required. The power supply circuit must be installed in accordance with current edition of National Electrical Code (NFPA 70) and local codes & ordinances.
- Voltage Rating – 115V/60Hz
- Connected Load (kW Rating) @ 115 Volts = 0.55kW
- Amps @ 115 Volts = 5 Amps
- Always consult local and national electric & plumbing codes.
- Water line for ice maker can enter opening through floor or rear wall. Copper tubing recommended between cold water line and water connection location. Water line tubing recommended is 48" minimum length by 1/4" diameter. Installation of easily accessible shutoff valve in water line required.
- Minimum 25-1/4" depth requires recessed electrical outlet and copper water line.
- To allow for ease of installation, tape excess power cord to back of unit.
- To allow for ease of moving out side-by-side units after installation, 84" minimum length of coiled copper tubing recommended.
- When installing freezer adjacent to wall, cabinet or other appliance that extends beyond front edge of unit, 20" minimum clearance recommended to allow for optimum 140° door swing, providing complete drawer/crisper access and removal. (Absolute 4" minimum clearance will ONLY allow for 90° door swing which will provide limited drawer/crisper access with restricted removal.)
- Freezer must be placed on level surface of hard material, same height as flooring. Surface must support approximately 800 lbs. when fully loaded. Unit equipped with 4-point leveling.

"Built-In Look" Specifications

- Minimum opening of 72" H x 33" W x 25-1/4" D required for single-unit "Built-In Look" installation; 66" W required for double-unit installation. (72" H to be measured from finished floor to underside of soffit or overhead cabinet.)

Optional Trim Kit Specifications

For planning information, refer to model-specific Trim Kit Installation pages on web.

- Optional Trim Kits available for built-in installation with All Refrigerator and/or All Freezer — requiring different cutout dimensions.
- Designed as built-in replacement option for any model(s) having pre-existing opening(s) with same cutout dimensions as stated for specific Trim Kit or for new-build installation.
- Remove all wall/floor molding prior to built-in installation.
- For detailed Trim Kit installation, refer to instructions packed with kit or on web.

Note: For planning purposes only. Refer to Product Installation Guide on the web at electroluxicon.com for detailed instructions.

Optional Accessories

- 84" Louvered Trim Kits:
Single – (PN# ECP8436SS), Double – (PN# ECP8472SS).
- 72" Collar Trim Kits:
Single – (PN# ECP7236SS), Double – (PN# ECP7272SS).
- 79" Louvered / 75" Collar Trim Kits:
Single – (PN# TRIMKITSS1), Double – (PN# TRIMKITSS2).

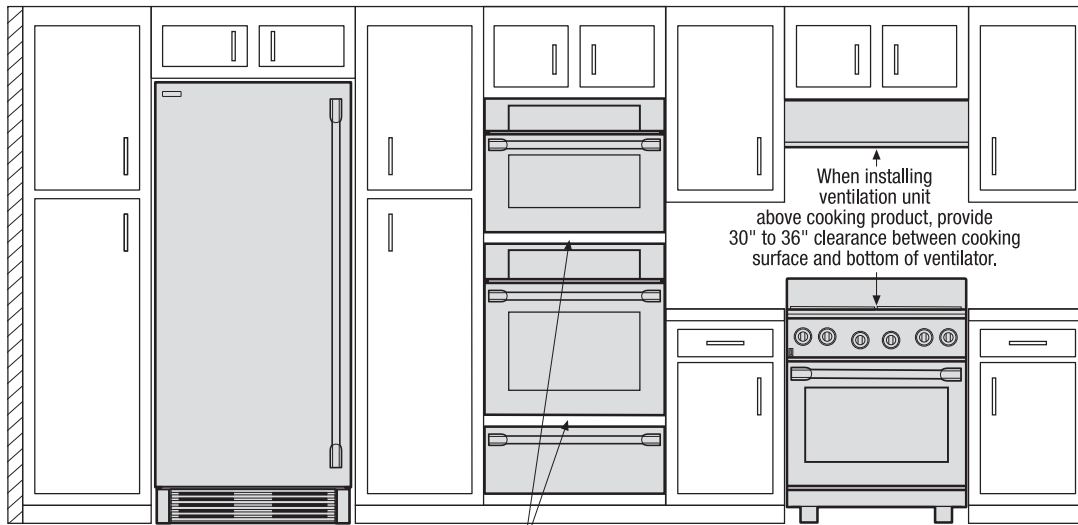


Electrolux Major Appliances, N.A.

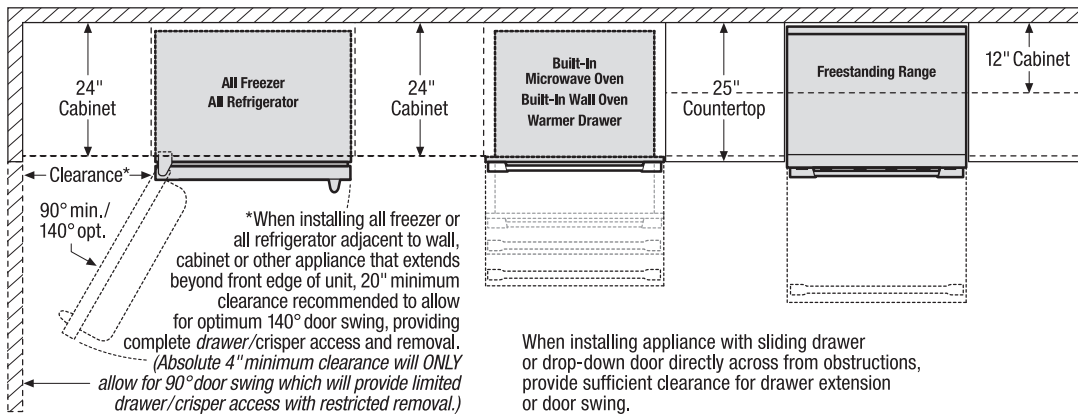
USA • 10200 David Taylor Drive • Charlotte, NC 28262 • 1-877-4electrolux (1-877-435-3287) • electroluxicon.com
CANADA • 5855 Terry Fox Way • Mississauga, ON L5V 3E4 • 1-800-265-8352 • electroluxicon.ca

Use these dimensions and clearance instructions for planning purposes only. For detailed installation instructions, refer to installation guide, packed with product, or on the web at electroluxicon.com.

Front

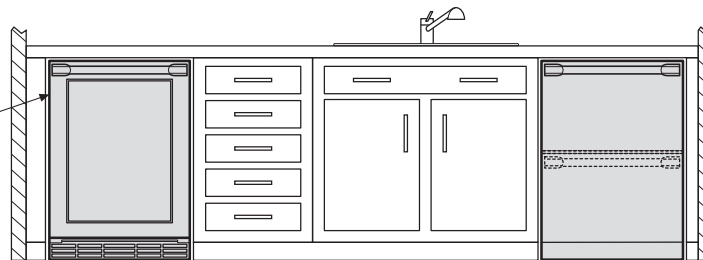


Top



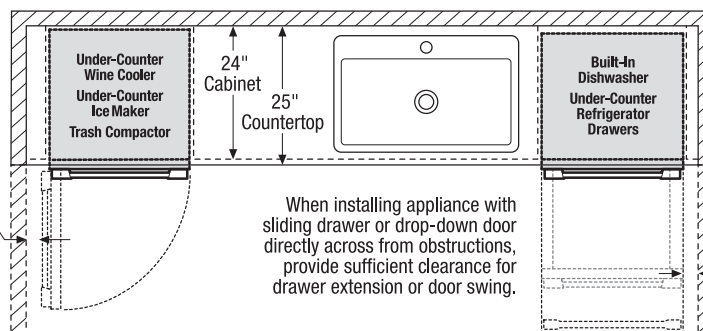
Front

To ensure optimum performance, avoid installing refrigeration appliances in direct sunlight or near heat source.



Top

When installing appliance with side-swing door adjacent to wall, cabinet, or other obstruction that extends beyond front edge of appliance, door swing and handle clearance must be sufficient to allow access to appliance interior.



Electrolux Major Appliances, N.A.

USA • 10200 David Taylor Drive • Charlotte, NC 28262 • 1-877-4electrolux (1-877-435-3287) • electroluxicon.com
 CANADA • 5855 Terry Fox Way • Mississauga, ON L5V 3E4 • 1-800-265-8352 • electroluxicon.ca

High standards of quality at Electrolux Home Products, Inc. mean we are constantly working to improve our products. We reserve the right to change specifications or discontinue models without notice.