



All Refrigerator

FGRU19F6QF

18.6 Cu. Ft. Built-In



Shown with companion, All-Freezer model FGFU19F6QF and optional coordinated Double Louvered Trim Kit (TRIMKITEZ2).

Product Dimensions

| | |
|-------------------------|---------|
| Height (Including Door) | 71-3/8" |
| Width | 32" |
| Depth (Including Door) | 26-1/2" |

More Easy-To-Use Features

Store-More™ Crisper Drawer
Keep your refrigerator organized with a crisper drawer that helps keep items fresh.

SpaceWise® Adjustable Shelving
Adjustable shelf allows you to customize your refrigerator so you can fit different size items as your needs change.

Smudge-Proof™ Stainless Steel
Resists fingerprints and smudges so it's easy to clean.

Automatic Alerts
Refrigerator alerts you if the door is left open or if temperature rises so you don't have to worry about your food going bad.

Bright LED Lighting
Our bright lighting makes it easy to see what's inside.

Available in:



Stainless
(F)

Optional Trim Kits

Single Louvered Trim Kit (TRIMKITEZ1)
For single All-Refrigerator installation. Includes louvered top grille and vented, louvered toe kick, 2-9/16" H leveling system and side/top trim pieces.

Double Louvered Trim Kit (TRIMKITEZ2)
For All-Freezer / All-Refrigerator side-by-side installation. Includes full-width, louvered top grille and vented, louvered toe kick, two 2-9/16" H leveling systems, side/top trim pieces and hardware to tie the units together.

Signature Features



SpaceWise® Organization System

Our SpaceWise® Organization system makes it easy to keep food organized and easy to find when you need it.



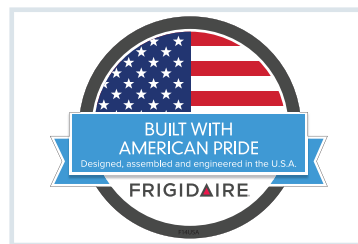
Express-Select® Controls

Easily select options with the touch of a button.



Full-Width Deli Drawer

Conveniently located, the full-width Deli Drawer is ideal for deli meats, cheeses and sandwich fixings or any food items that are frequently used.

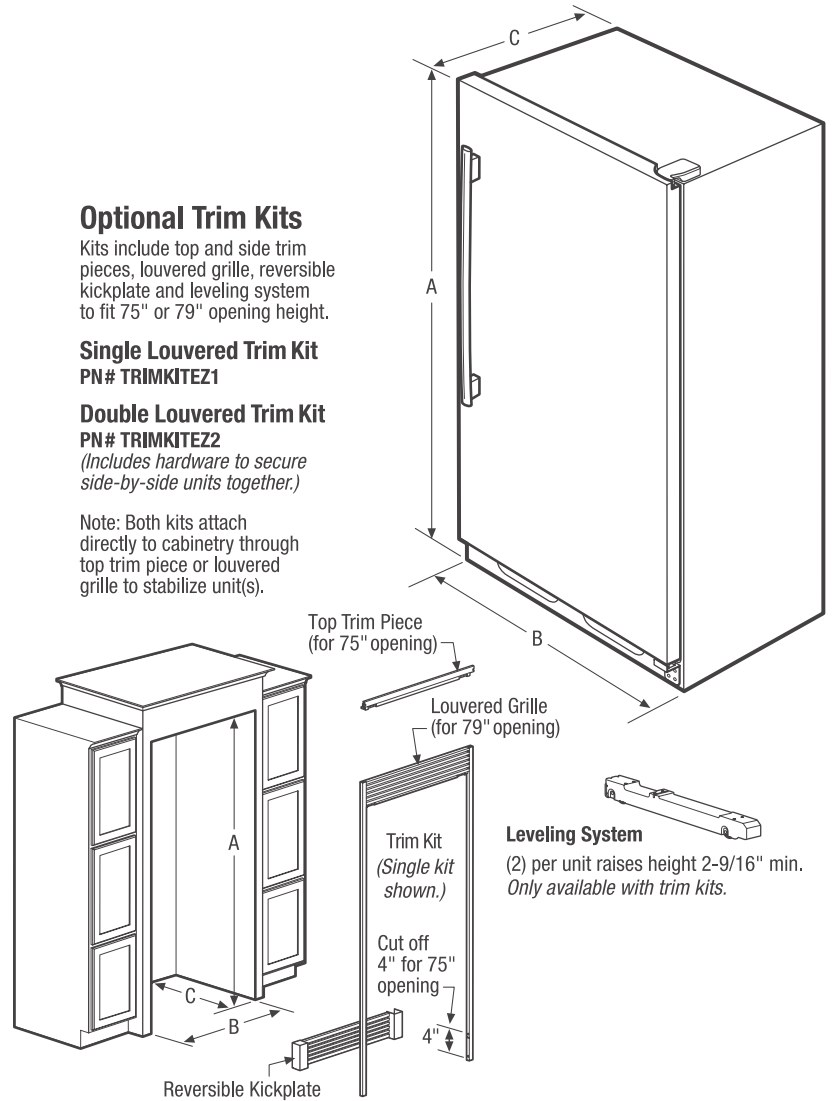


Built with American Pride

Appliances that are high-performing, more accessible, and more innovative than ever—designed, built, and engineered in the U.S.A.

| Features | |
|---|-------------------------------|
| Door Design | Smudge-Proof™ Stainless Steel |
| Door Handle Design | Stainless Steel |
| Cabinet Finish | Grey |
| Door Hinge Covers | Hidden |
| Automatic Door Closer | Yes |
| Leveling System/Leveling Legs | Yes/4 |
| Controls | |
| Controls | Express-Select® |
| Location of Controls | Inside Cabinet, on Top |
| Temperature Display C°/F° | Yes |
| Lock/Light | Yes/No |
| Temp Failure Alerts (Audible & Duration) | Yes |
| Door Ajar Alert (Audible) | Yes |
| Power Failure Alert (Duration) | Yes |
| Refrigerator Features | |
| Refrigerator Shelves | 2 SpaceWise® Adjustable Glass |
| Full-Width Deli Drawer | 1 |
| Full-Width Bottom Crisper | 1 |
| Humidity Control | |
| Crisper Divider Quantity | 2 |
| Full-Width Gallon Door Bin | 2 Clear |
| Half-Width Liter Bin | 4 Clear |
| Dairy Bin | |
| Tall Bottle Retainers | |
| Condiment Bin | |
| Lighting | LED Plug-In |
| Optional Accessories | |
| Single Louvered Trim Kit | PN# TRIMKITEZ1 |
| Double Louvered Trim Kit | PN# TRIMKITEZ2 |
| Specifications | |
| Total Capacity (Cu. Ft.) | 18.6 |
| Shelf Area (Sq. Ft.) | 20.6 |
| Annual Energy (kWH) | 331 |
| Annual Energy Cost (.12/kWH) | \$40 |
| Power Supply Connection Location | Right Bottom Rear |
| Voltage Rating | 115V/60Hz/20A |
| Connected Load (kW rating) @ 115 Volts ¹ | 0.55 |
| Amps @ 115 Volts | 5 |
| Minimum Circuit Required (Amps) | 20 |
| Shipping Weight (Approx.) | 240 Lbs. |

¹An electrical supply with grounded three-prong receptacle is required. The power supply circuit must be installed in accordance with current edition of National Electrical Code (NFPA 70) and local codes & ordinances.



NOTE: For planning purposes only. Always consult local and national electric and plumbing codes. Refer to Product Installation Guide for detailed installation instructions on the web at frigidaire.com.



| Overall Exterior Dimensions | |
|-----------------------------|---------|
| A - Height (Incl. Door) | 71-3/8" |
| B - Width | 32" |
| C - Depth (Incl. Door) | 26-1/2" |
| Depth with Door Open 90° | 57-1/4" |

| Built-In Cutout Dimensions | |
|--|---------------------------|
| Single Unit without Trim Kit - | |
| A - Height | 72" |
| B - Width | 33" |
| C - Depth | 25-1/4" min. ¹ |
| Single Unit with Trim Kit & Leveling System - | |
| A - Height | 75" or 79" |
| B - Width | 33" |
| C - Depth | 25-1/4" min. ¹ |

| Built-In Cutout Dimensions | |
|--|---------------------------|
| Double Unit² without Trim Kit - | |
| A - Height | 72" |
| B - Width | 66" |
| C - Depth | 25-1/4" min. ¹ |
| Double Unit² with Trim Kit & Leveling System - | |
| A - Height | 75" or 79" |
| B - Width | 66" |
| C - Depth | 25-1/4" min. ¹ |

¹Minimum depth from face of cabinet side panels and requires recessed electrical outlet.
²Side-by-Side

Accessories information available on the web at frigidaire.com

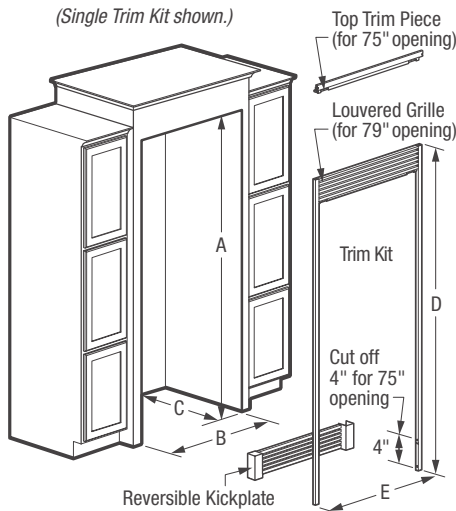
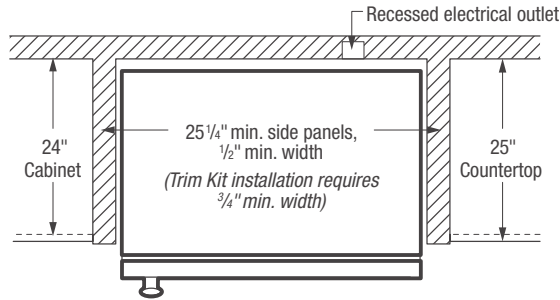
FRIGIDAIRE

USA • 10200 David Taylor Drive • Charlotte, NC 28262 • 1-800-FRIGIDAIRE • frigidaire.com
CANADA • 5855 Terry Fox Way • Mississauga, ON L5V 3E4 • 1-800-265-8352 • frigidaire.ca

FGRU19F6Q 09/14

© 2014 Electrolux Home Products, Inc.

Specifications subject to change.



Optional Trim Kits & Dimensions

Kits include top and side trim pieces, louvered grille, reversible kickplate and leveling system to fit 75" or 79" opening height.

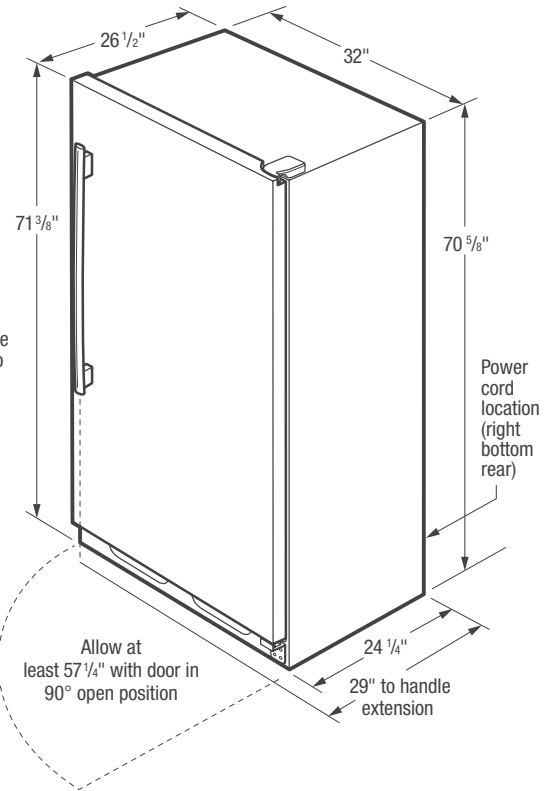
Single Louvered Trim Kit
PN # TRIMKITE1

(D) 75 1/8" or 79 1/8" (E) 34 3/4"

Double Louvered Trim Kit
PN # TRIMKITE2

(Includes hardware to secure side-by-side units together.)
(D) 75 1/8" or 79 1/8" (E) 67 1/8"

Note: Both kits attach directly to cabinetry through top trim piece or louvered grille to stabilize unit(s). Refer to detailed kit installation instructions packed with kit or on web.



All-Refrigerator Cutout Dimensions

Built-In Installation (without Trim Kit)

Single Unit
(A) 72" (B) 33" (C) 25 1/4" min.*
Double Unit (Side-by-Side)
(A) 72" (B) 66" (C) 25 1/4" min.*

Built-In Installation (with Trim Kit & Leveling System)

Single Unit
(A) 75" or 79" (B) 33" (C) 25 1/4" min.*
Double Unit (Side-by-Side)
(A) 75" or 79" (B) 66" (C) 25 1/4" min.*

Leveling System

(2) per unit raises height 2-9/16" min.
Only available with trim kits.



*Minimum depth from face of cabinet side panels and requires recessed electrical outlet.

Built-In All-Refrigerator Specifications

- Product Shipping Weight - 240 Lbs.
- An electrical supply with grounded three-prong receptacle is required. The power supply circuit must be installed in accordance with current edition of *National Electrical Code (NFPA 70)* and local codes & ordinances.
- Voltage Rating - 115V/60 Hz/20 Amps
- Connected Load (kW Rating) @ 115 Volts = 0.55 kW
- Amps @ 115 Volts = 5 Amps
- Always consult local and national electric codes.
- Minimum 25-1/4" depth requires recessed electrical outlet.
- To allow for ease of installation, tape excess power cord to back of unit.
- When installing refrigerator adjacent to wall, cabinet or other appliance that extends beyond front edge of unit, 20" minimum clearance recommended to allow for optimum 140° door swing, providing complete drawer / crisper access and removal. (Absolute 4" minimum clearance will ONLY allow for 90° door swing which will provide limited drawer / crisper access with restricted removal.)
- Refrigerator must be placed on level surface of hard material, same height as flooring. Surface must support approximately 800 lbs. when fully loaded. Unit equipped with 4-point leveling.

"Built-In Look" Specifications

- Minimum opening of 72" H x 33" W x 25-1/4" D required for single-unit "Built-In Look" installation; 66" W required for double-unit installation. (72" H to be measured from finished floor to underside of soffit or overhead cabinet.)
- Remove all wall / floor molding prior to built-in installation.

Optional Trim Kit Specifications

- If optional Single or Double Louvered Trim Kit is to be used, different cutout dimensions are required. Kit can be adapted to fit either 75" or 79" opening height. (Refer to cutout dimensions on this page and detailed Louvered Trim Kit installation instructions included with kit or on web.)
- Remove all wall / floor molding prior to built-in installation.

Note: For planning purposes only. Refer to Product Installation Guide on the web at frigidaire.com for detailed instructions.

Optional Accessories

- Single Louvered Trim Kit - (PN # TRIMKITE1).
- Double Louvered Trim Kit - (PN # TRIMKITE2).

Use these dimensions and clearance instructions for planning purposes only. For detailed installation instructions, refer to installation guide, packed with product, or on the web at frigidaire.com.

