



Freestanding Ranges

FFGF3015L M/W/B

30" Gas



Signature Features

Ready-Select® Controls

Select options or control cooking temperature with our easy-to-use controls.

Sealed Gas Burners

Enjoy easier cleanup and a burner that stays looking great.

12,000 BTU Sealed Burner

For responsive cooking when using large pots and pans.

Even Baking Technology

Our latest technology ensures even baking every time.

Product Dimensions

Height (Max.)	47-1/2"
Width	29-7/8"
Depth (Including Handle)	28-1/2"

More Easy-To-Use Features

Hi/Lo Broil Option

Offers two-position broiling and variable temperature control for more control.

Large Window

Our large oven window lets you easily see what's inside.

Steel Grates

Timed Cook Option

Electronic Kitchen Timer

Bright Lighting

Our bright lighting makes it easy to see what's inside.

Manual Clean Oven

Broil and Serve™ Drawer

LP Gas Conversion Option

Available in:



Silver Mist (M)

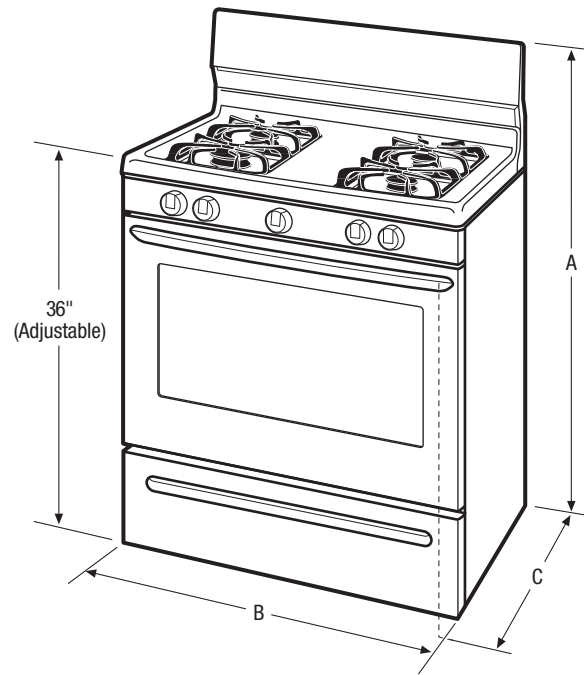
White (W)

Black (B)

Burners	BTU
Right Front	12,000
Right Rear	9,500
Left Front	9,500
Left Rear	9,500

Features	
Oven Control/Timing System	Ready-Select® Controls
Surface Type	Black Porcelain (M), Color-Coordinated Porcelain (W/B)
Sealed Gas Burners	Yes
Grates	Black Square Steel
Window	Large
Exterior Door Finish	Silver Mist (M), Color-Coordinated (W/B)
Handle Design	Black (M), Color-Coordinated (W/B)
Exterior Finish (Side Panels)	Black (M), Color-Coordinated (W/B)
Convection System	
Oven Cleaning System	Manual Clean
Drawer Functionality	Broil
Oven Controls	
Bake	Yes
Broil	Low and High
Add-a-Minute	
Delay Bake	
Self-Clean	
Quick Clean Option	
Delay Clean	
Kitchen Timer	Yes
Timed Cook Option	Yes
Auto Oven Shut-Off	
Cooktop Features	
Right Front Burner (BTU)	12,000
Right Rear Burner (BTU)	9,500
Left Front Burner (BTU)	9,500
Left Rear Burner (BTU)	9,500
Center Extra Zone Burner (BTU)	
Oven Features	
Capacity (Cu.Ft.)	4.2
Oven Light	1
Rack Configuration	2 Standard
Even Baking System	Yes
Broiling System	Vari-Broil™ Hi/Lo
Bake Burner/Broil Burner (BTU)	18,000/18,000
Optional Accessories	
LP Gas Conversion Kit	PN# GRLP3
Specifications	
Oven Interior (H x W x D)	17-5/8" x 24-3/8" x 19-3/4"
Power Supply Connection Location	Left Bottom Rear
Gas Supply Connection Location	Right Bottom Rear
Voltage Rating	120V / 60Hz / 15A
Connected Load (kW Rating) @ 120 Volts ¹	1.8
Amps @ 120 Volts	15
Shipping Weight (Approx.)	150 Lbs.

¹For use on adequately wired 120V, dedicated circuit having 2-wire service with a separate ground wire. Appliance must be grounded for safe operation.



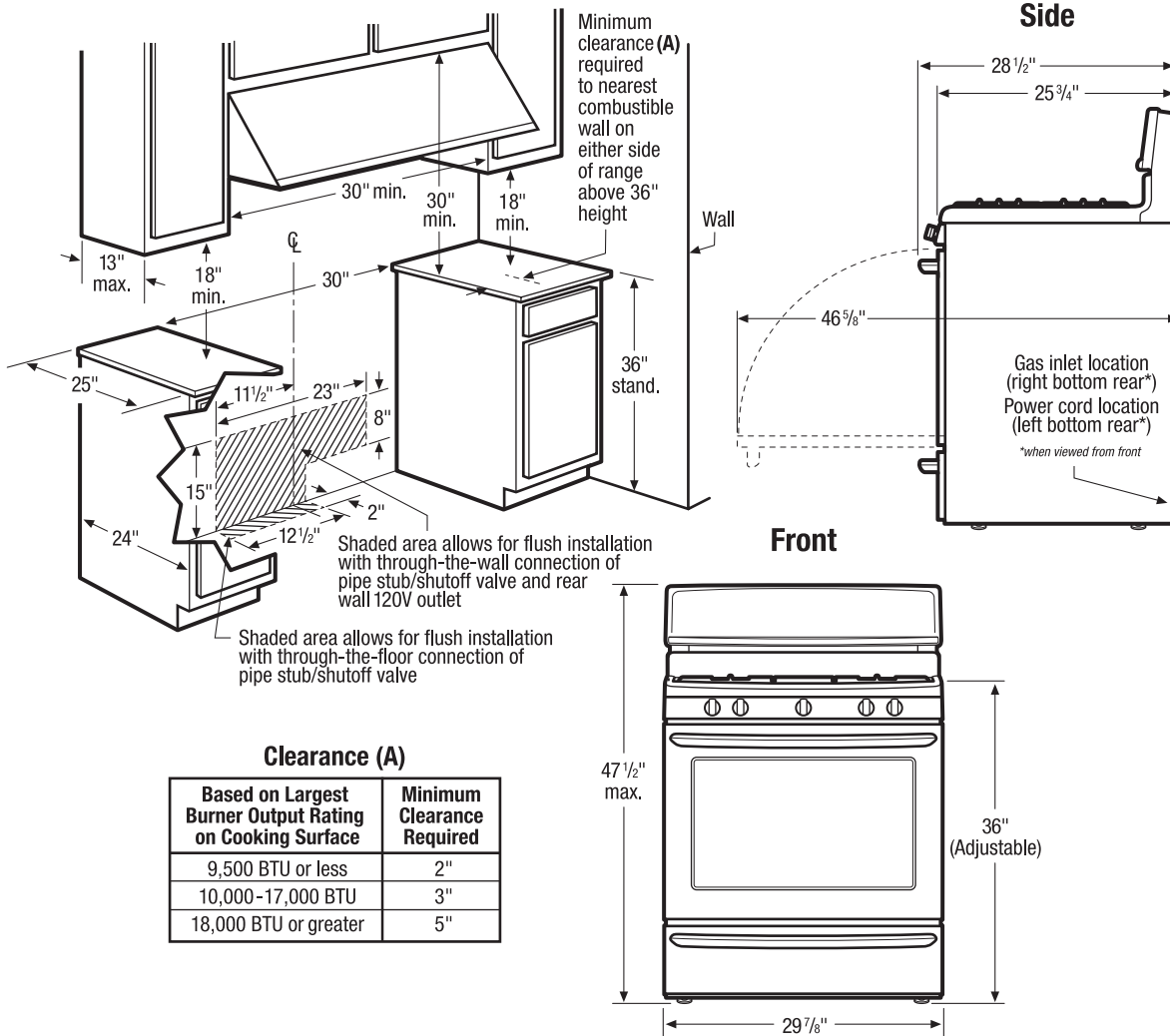
NOTE: For planning purposes only. Always consult local and national electric and gas codes. Refer to Product Installation Guide for detailed installation instructions on the web at frigidaire.com.



Product Dimensions	
A - Height (Max.)	47-1/2"
B - Width	29-7/8"
C - Depth (Including Handle)	28-1/2"
Depth with Door Open 90°	46-5/8"

Cutout Dimensions	
Height (Standard)	36"
Width (Min.)	30"
Depth (Min.)	24"

Accessories information available on the web at frigidaire.com



Freestanding Range Specifications

- Product Shipping Weight (approx.) - 150 Lbs.
- Voltage Rating - 120V / 60 Hz / 15 Amps
- Connected Load (kW Rating) @ 120 Volts = 1.8kW (For use on adequately wired 120V, dedicated circuit having 2-wire service with a separate ground wire. Appliance must be grounded for safe operation.)
- Amps @ 120 Volts = 15 Amps
- Always consult local and national electric and gas codes.
- Make sure wall coverings around range can withstand heat generated by range.
- Linoleum or any other synthetic floor covering located beneath range, must be capable of withstanding minimum heat of 90° F above room temperature without shrinking, warping or discoloring. Insulating pad or 1/4"-thick plywood required between range and a carpeted floor.
- Do not obstruct flow of combustion air at oven vent nor around base or beneath lower front panel of range. Range requires fresh air for proper burner combustion.
- Do not install range beneath any downward-blowing, overhead vent hood or air curtain.
- Range ships with 3/4" factory regulator.
- Range is LP Gas convertible. (Optional LP Gas Conversion Kit available.)

- Floor beneath range MUST be solid and level.
- Overhead cabinetry should not exceed a 13" maximum depth.
- Absolute minimum horizontal distance between overhead cabinets installed to either side of appliance must be no less than maximum width of appliance.
- Range can be installed flush to wall with 0" minimum rear clearance.
- Minimum clearance required (from edge of rangetop to nearest combustible wall on either side of range above 36" height) is based on largest burner output rating on cooking surface.
- To reduce risk of fire when using overhead cabinetry, install range hood that projects horizontally a recommended minimum of 5" beyond bottom of cabinets.
- Follow all dimension requirements provided to prevent property damage, potential fire hazard, and incorrect countertop and cabinet cuts.

Note: For planning purposes only. Refer to Product Installation Guide on the web at frigidaire.com for detailed instructions.

Optional Accessories

- LP Gas Conversion Kit - (PN# GRLP3)



Use these dimensions and clearance instructions for planning purposes only. For detailed installation instructions, refer to installation guide, packed with product, or on the web at frigidaire.com.



When installing appliances adjacent to each other, 20" minimum distance between each appliance required.

When installing built-in cooking appliances in combination, 2" minimum visible gap between appliance faceplates required.



When installing side-by-side refrigerator adjacent to wall, cabinet or another appliance that extends beyond front edge of unit, 20" minimum clearance recommended to allow for optimum 120° to 180° door swing, providing complete drawer/crisper access and removal.

When installing appliance with sliding drawer, swinging or drop-down door directly across from obstructions, provide sufficient clearance for drawer extension or door swings.



When installing appliance with sliding drawer or drop-down door directly across from obstructions, provide sufficient clearance for drawer extension or door swing.

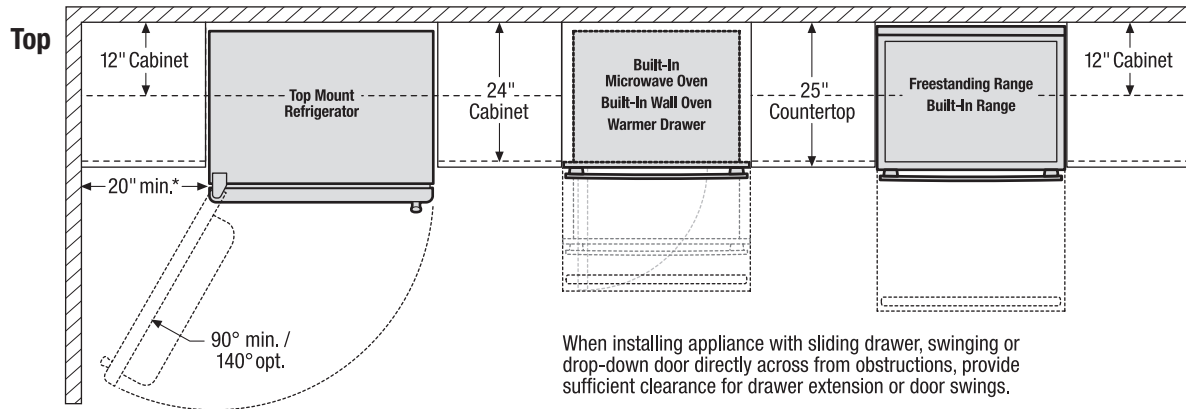
When installing appliance with sliding drawer or drop-down door adjacent to wall, cabinet, or other obstruction that extends beyond front edge of appliance, allow 2" minimum clearance between drawer or door and obstruction.

Use these dimensions and clearance instructions for planning purposes only. For detailed installation instructions, refer to installation guide, packed with product, or on the web at frigidaire.com.



When installing appliances adjacent to each other, 20" minimum distance between each appliance required.

When installing built-in cooking appliances in combination, 2" minimum visible gap between appliance faceplates required.



When installing appliance with sliding drawer, swinging or drop-down door directly across from obstructions, provide sufficient clearance for drawer extension or door swings.

*When installing refrigerator adjacent to wall, cabinet or other appliance that extends beyond front edge of unit, 20" minimum clearance recommended to allow for optimum 140° door swing, providing complete crisper access and removal. (Absolute 3" minimum clearance will ONLY allow for 90° door swing which will provide limited crisper access with restricted removal.)



When installing appliance with sliding drawer or drop-down door directly across from obstructions, provide sufficient clearance for drawer extension or door swing.

