



## Freestanding Range

FGGF305MK F

30" Gas



### Product Dimensions

Height (Max.)	47-1/2"
Width	29-7/8"
Depth (Including Handle)	28-1/2"

### More Easy-To-Use Features

#### One-Touch Options

Our ovens feature easy-to-use one touch buttons so you can cook pizza or chicken nuggets — or even add a minute to the timer — with the touch of a button.

#### SpaceWise® Half Rack

Flexible rack system that adjusts to cook multiple dishes at once. Remove the half rack and you'll have extra height for tall dishes.

#### One-Touch Keep Warm Setting

Just one touch of a button keeps food warm until everything — and everyone — is ready.

#### Effortless™ Oven Rack

Bottom rack extends when you open the door for easy access.

#### Real Stainless Steel

Real stainless steel with a protective coating that reduces fingerprints and smudges so it's easy to clean.

#### Quick Bake Convection

Bake faster and more evenly with Quick Bake Convection.

#### Low Simmer Burner

Perfect for delicate foods and sauces.

#### Continuous Grates

Continuous Grates make it easy to move heavy pots and pans between burners without lifting.

Sabbath Mode (Star-K® Certified)

#### Available in:



Stainless  
(F)

Burners	BTU
Right Front	17,000
Right Rear	5,000
Left Front	9,500
Left Rear	15,000
Center Extra Zone	10,000

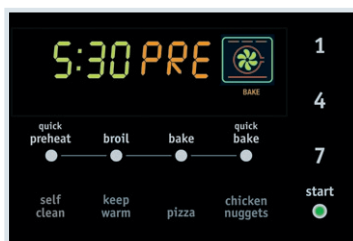
<sup>1</sup>Based on single rack cooking performance, not set temperature, using Quick Preheat.

### Signature Features



#### SpaceWise® Lower Oven

This range features a .5 cu.ft SpaceWise® Lower Oven that gives you more space to cook multiple dishes at the same time.



#### Quick Preheat

Preheat in less than six minutes!<sup>1</sup>



#### Quick Boil

Boils water faster.

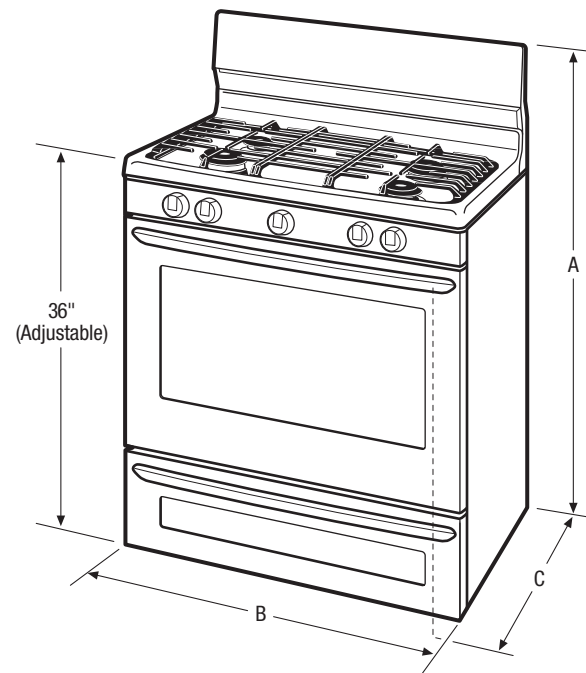


#### Express-Select® Controls

Easily go from warm to boil.

Features	
Oven Control/Timing System	Express-Select® Controls
Surface Type	Black Porcelain
Sealed Gas Burners	Yes
Grates	Continuous Cast Iron w/Black Matte Finish
Window	Extra-Large
Exterior Door Finish	Real Stainless Steel
Handle Design	Stainless Steel
Exterior Finish (Side Panels)	Black
Convection System	Quick Bake Conv. (Main)
Cleaning System	Self Clean (Main)
Auxiliary Oven	SpaceWise® Lower Oven
Oven Controls	
Bake/Broil	Yes/Variable (400 - 500 °F)
Effortless™ Convection Conversion	
Convection Bake/Broil/Roast	
Quick Bake Convection	Yes (Main)
Quick Preheat	Yes
My Favorite	
Chicken Nugget Button	Yes
Pizza Button	Yes
Keep Warm	Yes
Add-a-Minute	Yes
Delay Bake	Yes
Self Clean	2, 3, 4 Hours (Main)
Quick Clean Option	Yes
Delay Clean	Yes
Kitchen Timer/Timed Cook Option	Yes/Yes
Auto Oven Shutoff	6 Hours
Auxiliary Oven Control	Bake and Warm, 140°-170°- 450° with 6 Hour Shutoff
Cooktop Features	
Right Front Burner (BTU)	17,000
Right Rear Burner (BTU)	5,000
Left Front Burner (BTU)	9,500
Left Rear Burner (BTU)	15,000
Center Extra Zone Burner (BTU)	Oval 10,000
Oven Features	
Main/Auxiliary Capacity (Cu.Ft.)	5.0/.587
Oven Light	1
Rack Configuration	1 Heavy Duty, 1 SpaceWise® Half Rack, 1 Effortless™
Baking System	Even Baking Technology
Broiling System	Even Broil
Main Bake/Broil Burners (BTU)	18,000/13,500
Auxiliary Bake/Broil Burners (BTU)	700/No
Auxiliary Oven Racks	1 SpaceWise® Half Rack
Certifications	
Sabbath Mode (Star-K® Cert.)	Yes
Specifications	
Main Oven Interior (H x W x D)	17-5/8" x 24-3/8" x 19-3/4"
Auxiliary Oven Interior (H x W x D)	3-3/8" x 18-1/2" x 16-1/4"
Power/Gas Supply Conn. Location	Left/Right Bottom Rear
LP Gas Conversion Kit	Not Convertible - Natural Gas Only
Voltage Rating	120V / 60Hz/15A
Conn. Load (kW Rating) @ 120 Volts <sup>1</sup>	1.8
Amps @ 120 Volts	15
Shipping Weight (Approx.)	220 Lbs.

<sup>1</sup>For use on adequately wired 120V, dedicated circuit having 2-wire service with a separate ground wire. Appliance must be grounded for safe operation.



NOTE: For planning purposes only. Always consult local and national electric and gas codes. Refer to Product Installation Guide for detailed installation instructions on the web at [frigidaire.com](http://frigidaire.com).



Product Dimensions		Cutout Dimensions	
A - Height (Max.)	47-1/2"	Height (Standard)	36"
B - Width	29-7/8"	Width (Min.)	30"
C - Depth (Including Handle)	28-1/2"	Depth (Min.)	24"
Depth with Door Open 90°	46-5/8"		

Accessories information available on the web at [frigidaire.com](http://frigidaire.com)

### FRIGIDAIRE

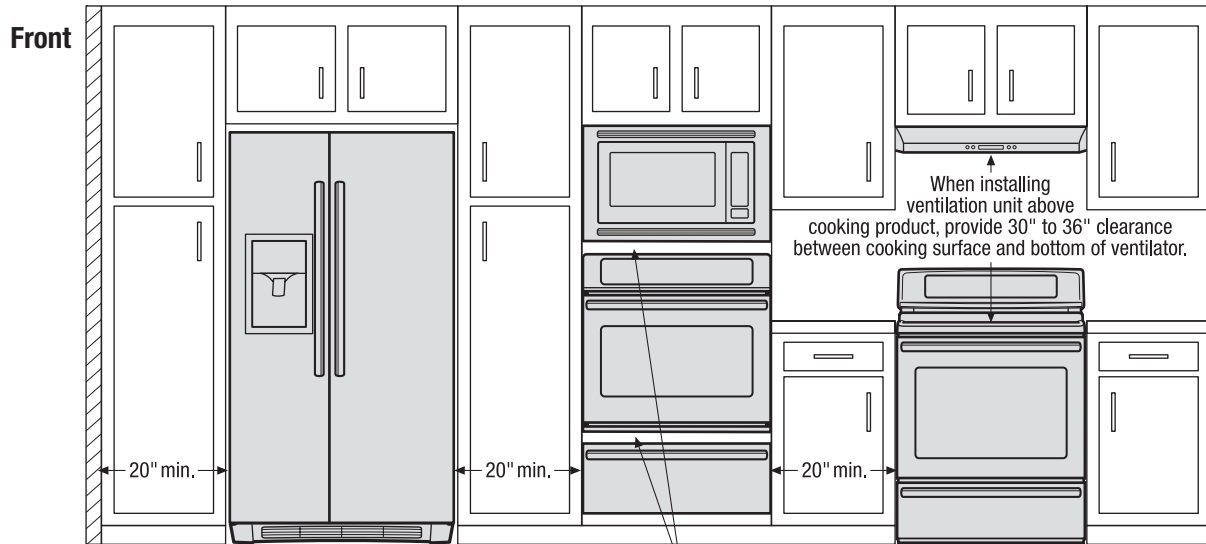
USA • 10200 David Taylor Drive • Charlotte, NC 28262 • 1-800-FRIGIDAIRE • [frigidaire.com](http://frigidaire.com)  
 CANADA • 5855 Terry Fox Way • Mississauga, ON L5V 3E4 • 1-800-265-8352 • [frigidaire.ca](http://frigidaire.ca)

FGGF305MK 01/11

© 2011 Electrolux Home Products, Inc.

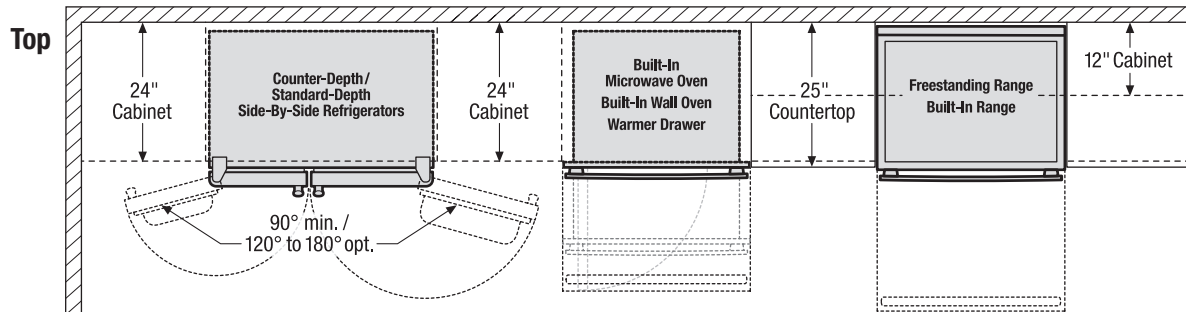
Specifications subject to change.  
 Printed in the U.S.A.

Use these dimensions and clearance instructions for planning purposes only. For detailed installation instructions, refer to installation guide, packed with product, or on the web at frigidaire.com.



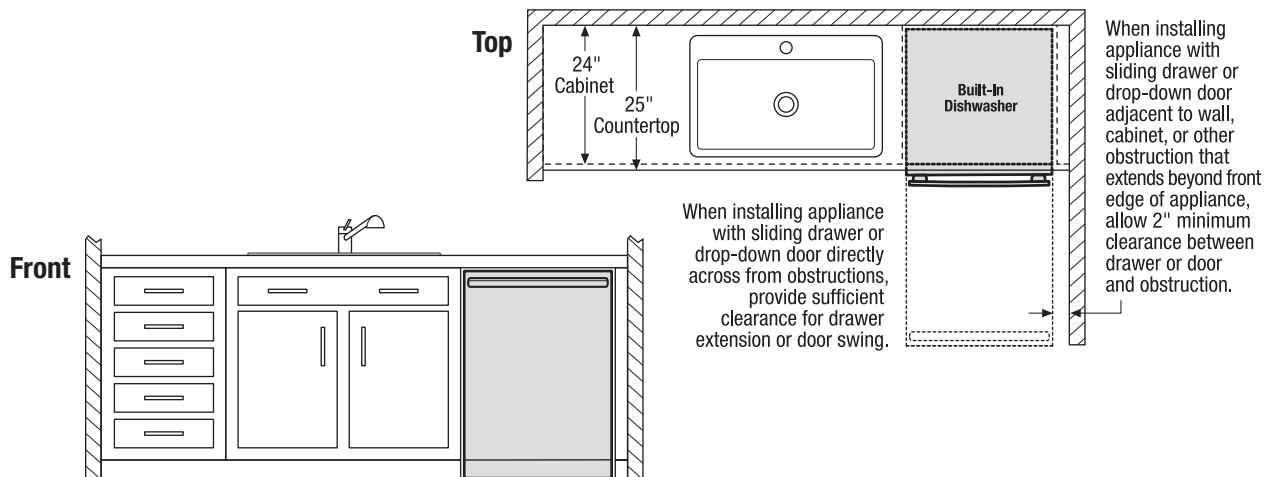
When installing appliances adjacent to each other, 20" minimum distance between each appliance required.

When installing built-in cooking appliances in combination, 2" minimum visible gap between appliance faceplates required.



When installing side-by-side refrigerator adjacent to wall, cabinet or another appliance that extends beyond front edge of unit, 20" minimum clearance recommended to allow for optimum 120° to 180° door swing, providing complete drawer/crisper access and removal.

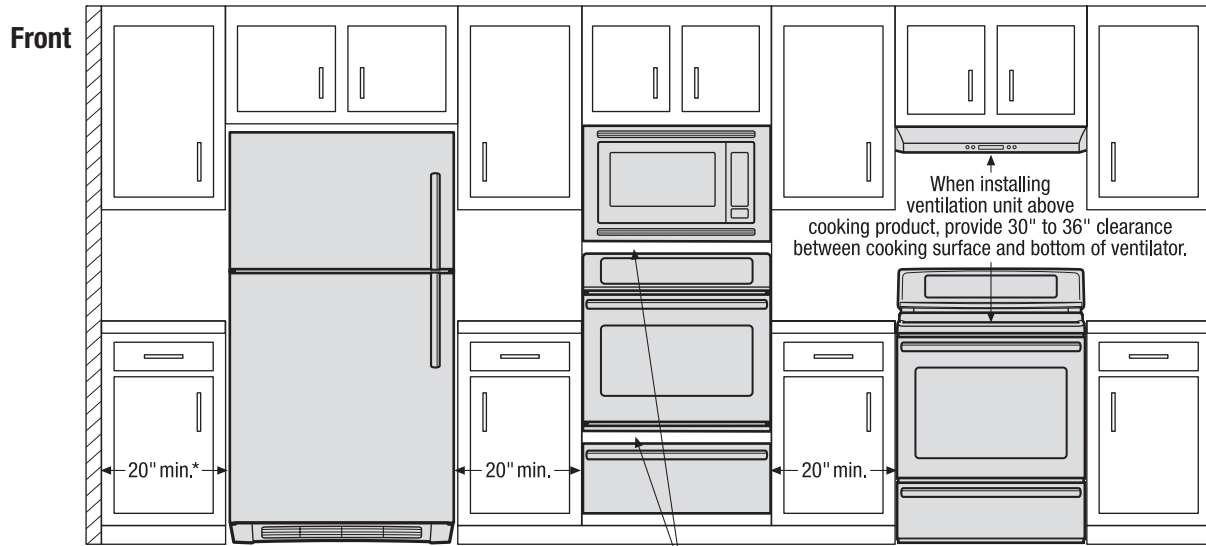
When installing appliance with sliding drawer, swinging or drop-down door directly across from obstructions, provide sufficient clearance for drawer extension or door swings.



When installing appliance with sliding drawer or drop-down door directly across from obstructions, provide sufficient clearance for drawer extension or door swing.

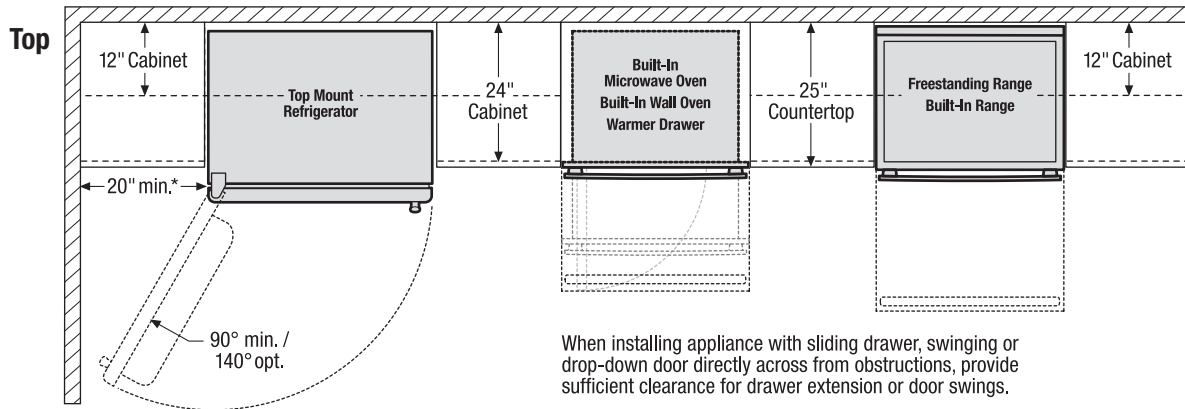
When installing appliance with sliding drawer or drop-down door adjacent to wall, cabinet, or other obstruction that extends beyond front edge of appliance, allow 2" minimum clearance between drawer or door and obstruction.

Use these dimensions and clearance instructions for planning purposes only. For detailed installation instructions, refer to installation guide, packed with product, or on the web at [frigidaire.com](http://frigidaire.com).



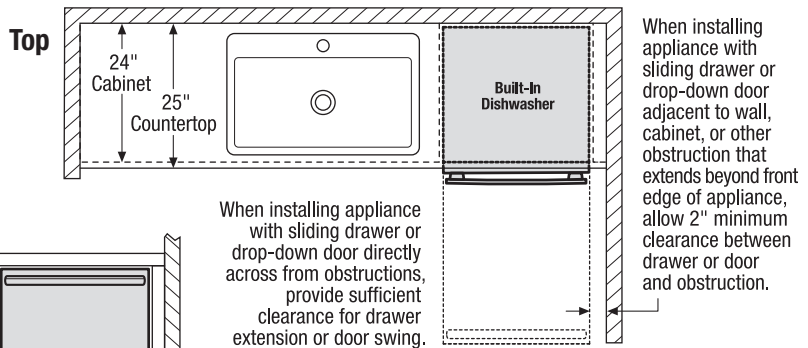
When installing appliances adjacent to each other, 20" minimum distance between each appliance required.

When installing built-in cooking appliances in combination, 2" minimum visible gap between appliance faceplates required.



When installing appliance with sliding drawer, swinging or drop-down door directly across from obstructions, provide sufficient clearance for drawer extension or door swings.

\*When installing refrigerator adjacent to wall, cabinet or other appliance that extends beyond front edge of unit, 20" minimum clearance recommended to allow for optimum 140° door swing, providing complete crisper access and removal. (Absolute 3" minimum clearance will ONLY allow for 90° door swing which will provide limited crisper access with restricted removal.)



When installing appliance with sliding drawer or drop-down door directly across from obstructions, provide sufficient clearance for drawer extension or door swing.

