

Freestanding Ranges

FFGF3051T S/W/B

30" Gas



Product Dimensions

| | |
|--------------------------|---------|
| Height (Max.) | 46-5/8" |
| Width | 29-7/8" |
| Depth (Including Handle) | 29-1/4" |

More Easy-To-Use Features

Low Simmer Burner

Perfect for cooking delicate foods and sauces.

Color-Coordinated Oven Door with Extra-Large Window

Our extra-large oven window makes it easier to check on the status of your dish without having to open the oven door.

Electronic Kitchen Timer

Times up to 12 hours.

Manual Clean Oven

Available in:



Stainless (S)

White (W)

Black (B)

Signature Features

Quick Boil

Get meals on the table faster with our 16,000 BTU burner — water boils faster than the traditional setting.

Continuous Corner-to-Corner Grates

Move heavy pots and pans without lifting with continuous corner-to-corner grates.

Sealed Gas Burners

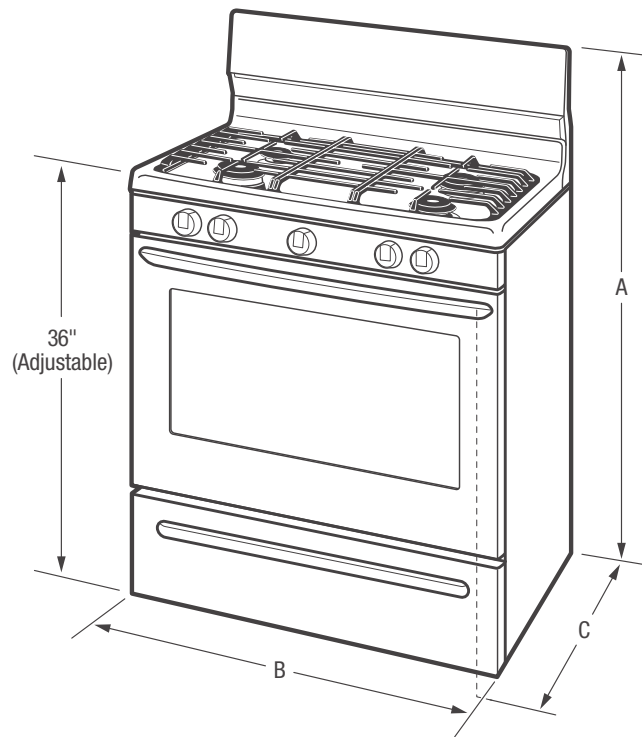
Enjoy easier cleanup and a burner that stays looking great.

Broil and Serve Drawer

Easily toast, brown, or crisp the outside of your food at the touch of a button.

| Burners | BTU |
|-------------|--------|
| Right Front | 16,000 |
| Right Rear | 5,000 |
| Left Front | 9,500 |
| Left Rear | 12,000 |

| Features | |
|----------------------------------|--|
| Oven Control/Timing System | Ready-Select® Controls |
| Surface Type | Deep Sump |
| Sealed Gas Burners | Yes |
| Grates | Continuous Cast Iron with Black Matte Finish |
| Window | Extra-Large |
| Exterior Door Finish | Stainless Steel (S), Color-Coordinated (W/B) |
| Handle Design | Black (S), Color-Coordinated (W/B) |
| Exterior Finish (Side Panels) | Black (S), Color-Coordinated (W/B) |
| Convection System | |
| Oven Cleaning System | Manual Clean |
| Drawer Functionality | Broil & Serve |
| Oven Controls | |
| Bake | Yes |
| Broil | Variable |
| Add-a-Minute | |
| Delay Bake | |
| Self-Clean | |
| Quick Clean Option | |
| Delay Clean | |
| Kitchen Timer | Yes |
| Timed Cook Option | |
| Auto Oven Shut-Off | |
| Oven Lock-Out | |
| Cooktop Features | |
| Right Front Burner (BTU) | 16,000 |
| Right Rear Burner (BTU) | 5,000 |
| Left Front Burner (BTU) | 9,500 |
| Left Rear Burner (BTU) | 12,000 |
| Center Extra Zone Burner (BTU) | |
| Oven Features | |
| Capacity (Cu. Ft.) | 4.2 |
| Oven Light | 1 |
| Rack Configuration | 2 Standard |
| Baking System | Even Baking Technology |
| Broiling System | Vari-Broil™ Hi/Lo |
| Bake Burner/Broil Burner (BTU) | 18,000/16,000 |
| Optional Accessories | |
| LP Gas Conversion Kit | PN# GRLP4 |
| Specifications | |
| Oven Interior (H x W x D) | 17" x 23" x 18-3/4" |
| Power Supply Connection Location | Middle Bottom Rear |
| Gas Supply Connection Location | Right Bottom Rear |
| Voltage Rating | 120V / 60 Hz / 5A |
| Amps @ 120 Volts | 5 |
| Shipping Weight (Approx.) | 170 Lbs. |



NOTE: For planning purposes only. Always consult local and national electric and gas codes. Refer to Product Installation Guide for detailed installation instructions on the web at frigidaire.com.



| Product Dimensions | |
|------------------------------|---------|
| A - Height (Max.) | 46-5/8" |
| B - Width | 29-7/8" |
| C - Depth (Including Handle) | 29-1/4" |
| Depth with Door Open 90° | 45" |

| Cabinet Cutout Dimensions | |
|---------------------------|-----|
| Height (Standard) | 36" |
| Width (Min.) | 30" |
| Depth (Min.) | 24" |

Accessories information available on the web at frigidaire.com

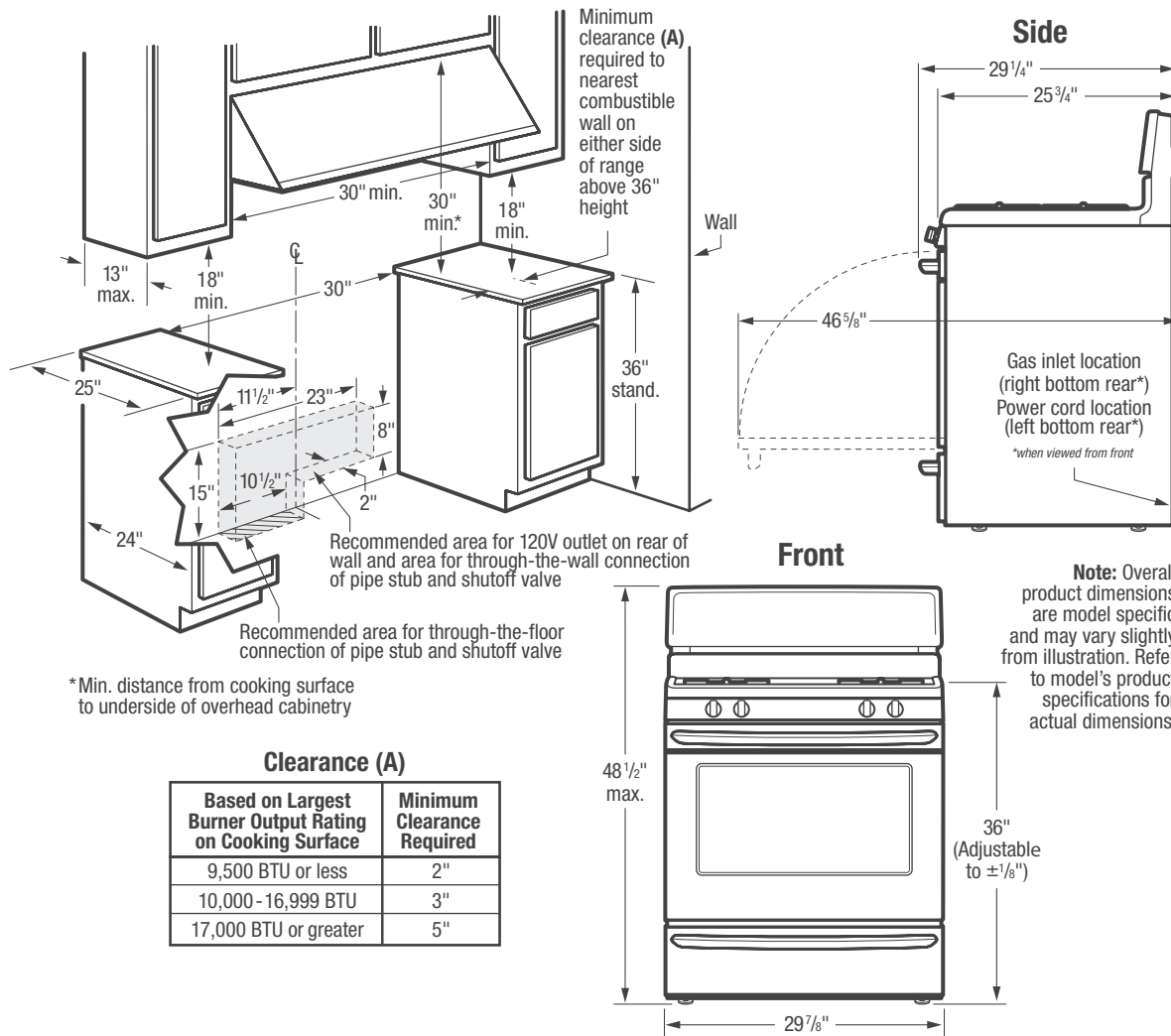
FRIGIDAIRE

USA • 10200 David Taylor Drive • Charlotte, NC 28262 • 1-800-FRIGIDAIRE • frigidaire.com
 CANADA • 5855 Terry Fox Way • Mississauga, ON L5V 3E4 • 1-800-265-8352 • frigidaire.ca

FFGF3051T 03/17

© 2017 Electrolux Home Products, Inc.

Specifications subject to change.



| Based on Largest Burner Output Rating on Cooking Surface | Minimum Clearance Required |
|--|----------------------------|
| 9,500 BTU or less | 2" |
| 10,000 - 16,999 BTU | 3" |
| 17,000 BTU or greater | 5" |

Note: Overall product dimensions are model specific and may vary slightly from illustration. Refer to model's product specifications for actual dimensions.

Freestanding Range Specifications

- Product Shipping Weight (approx.) - 170 Lbs.
- Voltage Rating - 120V/60 Hz/5 Amps
- Amps @ 120 Volts = 5 Amps
- Always consult local and national electric and gas codes.
- Make sure wall coverings around range can withstand heat generated by range.
- Linoleum or any other synthetic floor covering located beneath range, must be capable of withstanding minimum heat of 90°F above room temperature without shrinking, warping or discoloring. Insulating pad or 1/4"-thick plywood required between range and a carpeted floor.
- Do not obstruct flow of combustion air at oven vent nor around base or beneath lower front panel of range. Range requires fresh air for proper burner combustion.
- Do not install range beneath any downward-blowing, overhead vent hood or air curtain.
- Range ships with 3/4" factory regulator.
- Range is LP Gas convertible. (Optional LP Gas Conversion Kit available.)

- Floor beneath range MUST be solid and level.
- Overhead cabinetry should not exceed a 13" maximum depth.
- Absolute minimum horizontal distance between overhead cabinets installed to either side of appliance must be no less than maximum width of appliance.
- Range can be installed flush to wall with 0" minimum rear clearance.
- Minimum clearance required (from edge of rangetop to nearest combustible wall on either side of range above 36" height) is based on largest burner output rating on cooking surface.
- To reduce risk of fire when using overhead cabinetry, install range hood that projects horizontally a recommended minimum of 5" beyond bottom of cabinets.
- Follow all dimension requirements provided to prevent property damage, potential fire hazard, and incorrect countertop and cabinet cuts.

Note: For planning purposes only. Refer to Product Installation Guide on the web at frigidaire.com for detailed instructions.

Optional Accessories

- LP Gas Conversion Kit - (PN# GRLP4).

