

## Freestanding Ranges

LFEF3054T D/F

**ONLY AT  
LOWE'S!**  
¡SOLAMENTE EN LOWE'S!



### Signature Features

#### Quick Boil

Get meals on the table faster with our 3,000W element — water boils faster than the traditional setting.

#### Keep Warm Zone

Keep food warm until everything — and everyone — is ready.

#### Steam Clean

A 20-minute light oven cleaning that's chemical-free, odor-free, and fast.

#### Extra-Large Element

With our extra-large 12" element, you have more flexibility to fit larger pots and pans.

### 30" Electric

#### Product Dimensions

Height (Max.)	46-5/8"
Width	29-7/8"
Depth (Including Handle)	28-13/32"

#### More Easy-To-Use Features

**SpaceWise® Expandable Element**  
Flexible elements expand to meet your cooking needs — big or small.

#### Extra-Large Window

Check on the status of your dish without having to open the oven door.

#### Ready-Select® Controls

Easily control your cooking temperature with our easy-to-use controls.

#### Store-More™ Storage Drawer

With the Store-More™ Storage Drawer, you will have extra space to store your cookware.

#### Large Capacity

Our large capacity oven gives you room to cook more dishes at once.

#### Built with American Pride

Designed, engineered and assembled in the U.S.A.

#### Auto Shut-Off

As an extra safety measure, the oven will automatically shut off after 12 hours.

Available in:



Black  
Stainless  
(D)

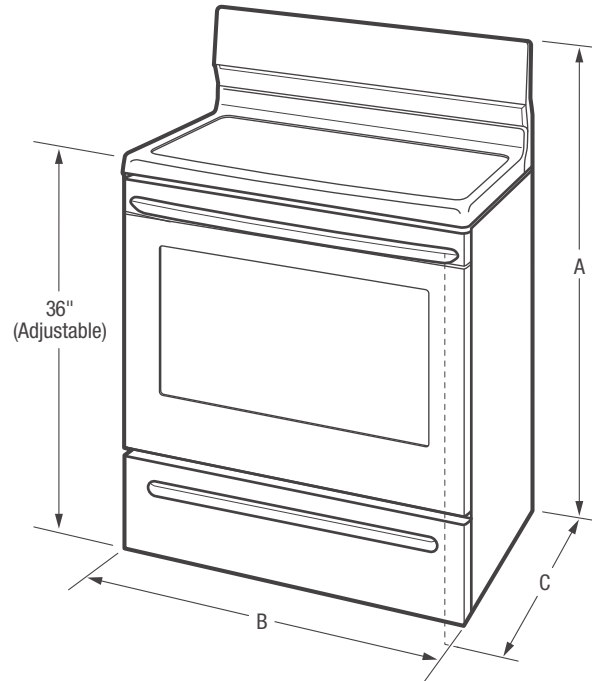


Stainless  
(F)



Elements	Size	Watts
Right Front	12"	2,700
Right Rear	6"	1,200
Left Front	6"/9" Expandable	1,400/ 3,000
Left Rear	6"	1,200
Center	Keep Warm Zone	100

Features	
Oven Control/Timing System	Ready-Select® Controls
Surface Type	Black Ceramic Glass
Window	Extra-Large
Exterior Door Finish	EasyCare™ Stainless Steel (D/S)
Handle Design	EasyCare™ Stainless Steel (D/S)
Exterior Finish (Side Panels)	Black
Convection System	
Oven Cleaning System	Steam Clean
Drawer Functionality	Storage
Oven Controls	
Bake	Yes
Broil	Variable
Add-a-Minute	
Delay Bake	Yes
Self-Clean	Steam Clean
Quick Clean Option	
Delay Clean	
Kitchen Timer	Yes
Timed Cook Option	Yes
Auto Oven Shut-Off	12 Hours
Cooktop Features	
Right Front Element (Watts)	12" - 2,700
Right Rear Element (Watts)	6" - 1,200
Left Front Element (Watts)	SpaceWise® Expandable 6"/9" - 1,400/3,000
Left Rear Element (Watts)	6" - 1,200
Center Element (Watts)	100
Hot Surface Indicator Light	Yes
Element "On" Indicator Light	Yes
Coil Cooktop/Drip Bowls	
Oven Features	
Capacity (Cu. Ft.)	5.4
Oven Light	1
Hidden Bake Element	
Rack Configuration	2 Standard
Baking System	Even Baking Technology
Broiling System	Vari-Broil™ Hi/Lo
Bake Element/Broil Element (Watts)	3,500/3,900
Specifications	
Oven Interior (H x W x D)	19-3/4" x 24-3/8" x 19-1/8"
Power Supply Connection Location	Middle Bottom Rear
Voltage Rating	240V/208V/60Hz
Connected Load (kW Rating) @ 240/208 Volts	11.5/8.5
Minimum Circuit Required (Amps)	40
Shipping Weight (Approx.)	170 Lbs.



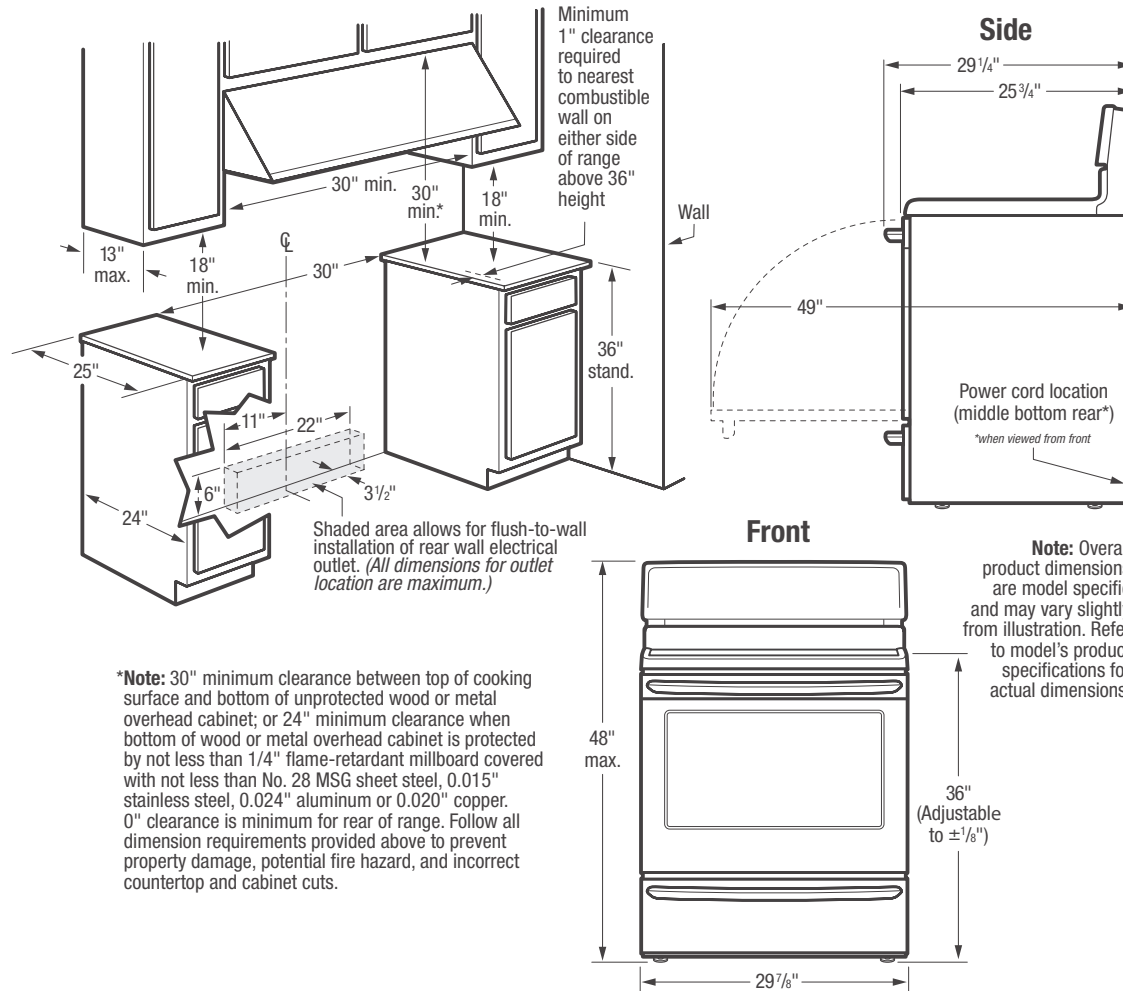
NOTE: For planning purposes only. Always consult local and national electric codes. Refer to Product Installation Guide for detailed installation instructions on the web at [frigidaire.com](http://frigidaire.com).



Product Dimensions	
A - Height (Max.)	46-5/8"
B - Width	29-7/8"
C - Depth (Including Handle)	28-13/32"
Depth with Door Open 90°	48-5/8"

Cabinet Cutout Dimensions	
Height (Standard)	36"
Width (Min.)	30"
Depth (Min.)	24"

Accessories information available on the web at [frigidaire.com](http://frigidaire.com)



**Freestanding Range Specifications**

- Product Shipping Weight (approx.) - 170 Lbs.
- Single phase 3- or 4-wire cable, 120/240 or 120/208 Volt, 60 Hertz, fused on both sides of line with ground.
- Connected Load (kW Rating) @ 240/208 Volts = 11.5/8.5kW
- Recommended Circuit Breaker - 40 Amps
- Always consult local and national electric codes.
- Make sure wall coverings around range can withstand heat generated by range.
- Floor beneath range MUST be solid and level.
- Overhead cabinetry should not exceed a 13" maximum depth.
- Absolute minimum horizontal distance between overhead cabinets installed to either side of appliance must be no less than maximum width of appliance.
- Range can be installed flush to wall with 0" minimum rear clearance.
- Minimum 1" clearance required from edge of rangetop to nearest combustible wall on either side of range above 36" height.

- Allow 30" minimum clearance between top of cooking surface and bottom of unprotected wood or metal overhead cabinet; or 24" minimum clearance when bottom of wood or metal overhead cabinet is protected by not less than 1/4" flame retardant millboard covered with not less than No. 28 MSG sheet steel, 0.015" stainless steel, 0.024" aluminum or 0.020" copper.
- To reduce risk of fire when using overhead cabinetry, install range hood that projects horizontally a recommended minimum of 5" beyond bottom of cabinets.
- Follow all dimension requirements provided to prevent property damage, potential fire hazard, and incorrect countertop and cabinet cuts.

**Note:** For planning purposes only. Refer to Product Installation Guide on the web at [frigidaire.com](http://frigidaire.com) for detailed instructions.

