



Overhead Hood

FHWC3050RS

30" Under-Cabinet



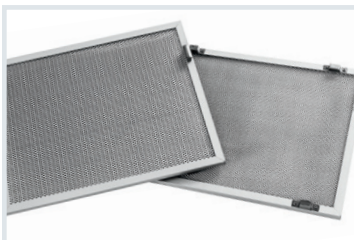
Signature Features



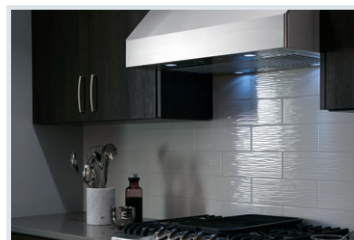
PowerPlus® 3-Speed Fan
Powerful airflow at 3 different speeds — quietly moves up to 400 cu. ft. of air per minute.



Smudge-Proof™
Resists fingerprints and cleans easily.



Dishwasher-Safe Filters
For consistently clean air circulation, use our removable, dishwasher safe filters.



PowerBright™ LED Cooktop Lighting
Clear, bright view of your cooktop workspace with LED lighting for seamless meal preparation. Offers 3 different brightness levels.

Features

Nominal Width	30"
Installation Type	Under-Cabinet
Style	Canopy
Controls	Push-Button
Air Discharge	Vertical
Air Delivery (CFM)	400
Blower Type	Fan
Sound Level (dBA)	75
Fan Speeds	3
Cooktop Light(s)	4 PowerBright™ LED Lights
Dishwasher-Safe Filter(s)	Yes
Exhaust Duct	External
Duct Required	3-1/4" x 10" Rectangular

Specifications

Product Dimensions -	
Height	10-1/2"
Width	30"
Depth	20"
Voltage Rating	120V / 60Hz / 15A
Connected Load (kW Rating) @ 120 Volts ¹	.33 kW
Amps @ 120 Volts	2.75
Shipping Weight (Approx.)	46
Sones Rating	3.0 - 6.6

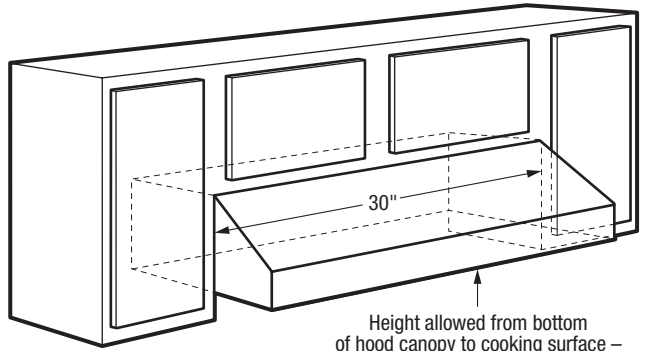
¹For use on adequately wired 120V, dedicated circuit having 2-wire service with a separate ground wire. Appliance must be grounded for safe operation.
NOTE: Always consult local and national electric codes. Check local building codes for installation requirements, as they may vary per locale. Refer to Product Installation Guide for detailed installation instructions on the web at frigidaire.ca.

Specifications subject to change.

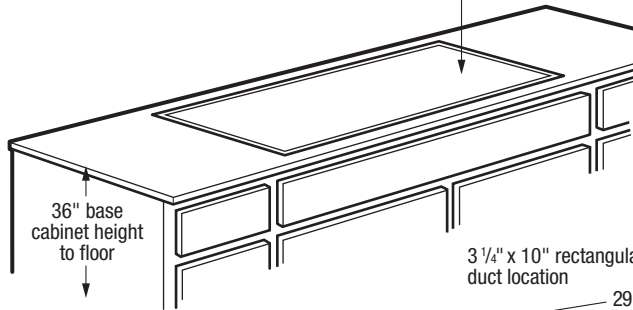
Available in:



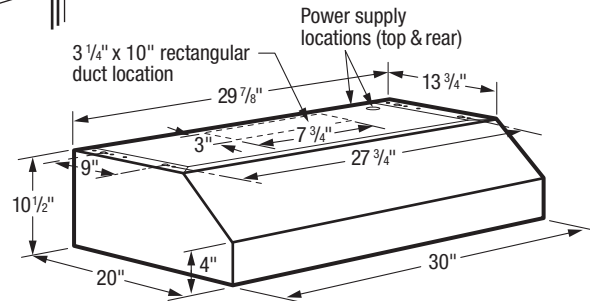
Smudge-Proof™
Stainless
(S)



Height allowed from bottom of hood canopy to cooking surface – 24" min.(elec.) / 27" min.(gas) / 30" sugg. max.



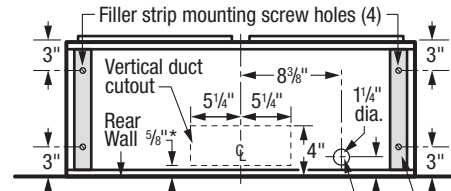
36" base cabinet height to floor



Exhaust

Vent hood is vertically ducted outside using 3 1/4" x 10" rectangular duct. For detailed duct preparation and installation specifications, refer to installation instructions on web.

Cabinet Bottom



Electrical access hole (in cabinet bottom) 2"-wide wood filler strips required for recessed cabinet bottoms only

*From wall, NOT cabinet frame

Under-Cabinet Hood Specifications

- Product Shipping Weight (Approx.) - 46 Lbs.
- Under-Cabinet Installation - must be ducted vertically.
- Ventilation system exhausts air outside, vertically through roof. (Refer to Ducting Option Specifications for outside ventilation.)
- Sones Rating - 3.0-6.6
- Voltage Rating - 120V / 60 Hz / 15 Amps
- Connected Load (kW Rating) @ 120 Volts = .33 kW (For use on adequately wired 120V, dedicated circuit having 2-wire service with a separate ground wire. Appliance must be grounded for safe operation.)
- Amps @ 120 Volts = 2.75 Amps
- Always consult local and national electric codes. Check local building codes for installation requirements, as they may vary per locale.
- Makeup air systems may be required by local building codes when using ventilation systems greater than specified CFM of air movement. Specified CFM varies per locale.
- Connect vent hood with copper wire only. (For installation pre-wired with aluminum wiring, refer to Product Installation Guide on web for correct wiring procedure.)
- Locate vent hood away from strong draft areas, such as windows, doors or strong heating vents.
- 24" (electric) / 27" (gas) minimum installation height allowed from bottom of hood canopy to cooking surface; 30" maximum height suggested.

- Ensure there is proper clearance within ceiling, wall or cabinet BEFORE making cutouts.
- When installing vent hood under cabinets with recessed bottoms, two 2"-wide filler strips required with length and thickness determined by recess dimensions.
- Framing for hood support MUST be capable of supporting 100 lbs.

Ducting Option Specifications

- Vent system MUST terminate outside through roof; do NOT terminate into attic or other enclosed area.
- Exhaust Duct Required - 3-1/4"x10" rectangular with 35' maximum vent length. Refer to Product Installation Guide on web for calculations needed to determine total duct length.
- To provide efficient performance, length of vent system and number of elbows should be kept to minimum. Flexible vent greatly reduces performance and is NOT recommended.
- Use 3-1/4"x10" rectangular metal vent only - rigid metal vent recommended; plastic or metal foil vent NOT recommended.
- For cold weather installation, additional backdraft damper and thermal break should be installed. Thermal break will minimize conduction of outside temperatures as part of the vent system with damper on cold air side of break, as close as possible to where vent system enters heated portion of house.
- Refer to Product Installation Guide on web for detailed vent system preparation instructions.

Note: For planning purposes only. Refer to Product Installation Guide on the web at frigidaire.ca for detailed instructions.

Accessories information available on the web at frigidaire.ca

