

# Apartment Refrigerator

FFHT10F2L W

10 Cu. Ft. Top Mount



## Product Dimensions

A - Height	59-3/4"
B - Width	23-3/4"
C - Depth (Including Door)	26-3/4"
D - Depth with Door Opened 90°	48-1/32"

## More Easy-To-Use Features

### Ready-Select® Controls

### Store-More™ Built-In Can Dispenser

Convenient in-door can storage.

### Bright Lighting

Our bright lighting makes it easy to see what's inside.

### Square Door Design

### Color-Coordinated Door Handle (Recessed)

### Color-Coordinated Smooth Cabinet Finish

### Color-Coordinated Door Hinge Covers

### Reversible Door-Swing Option

Door can be installed to open left or right based on your needs.



ENERGY STAR®

Available in:



White (W)

## Signature Features

### Store-More™ Freezer

Easy-to-access freezer includes a shelf and door rack.

### Store-More™ Clear Crisper Drawers

Keep your fruits and vegetables fresh in our crisper drawers.

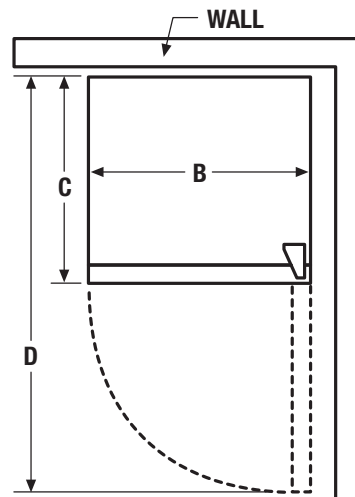
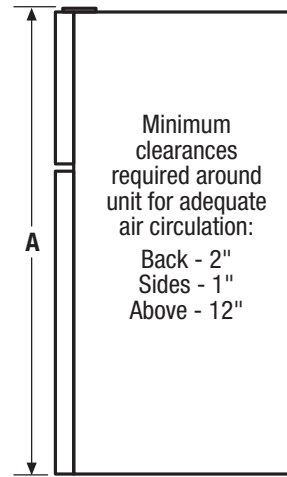
### SpaceWise® Adjustable Wire Shelves

Easily adjust shelves up and down to create more space for taller items.

### Store-More™ Door Bins

Door bins provide ample storage.

Features	
Cubic Feet (Cu.Ft.)	10
Exterior	
Door Color	Color-Coordinated
Cabinet Color	Color-Coordinated
Door Handle	Integrated
Door Stops	Yes
Reversible Door	Yes
Interior	
Controls	Ready-Select*
Lighting	Bright LED
Refrigerator Shelves	2 SpaceWise® Adjustable Wire
Store-More™ Crisper Drawers	2 Clear
Door Bins	1 Full-Width Clear 3 Half-Width Clear
Door Racks	Yes
Tall Bottle Storage	Yes
Can Rack	3-Can Capacity
Freezer Racks	2 Full-Width Clear
Freezer Shelves	1 SpaceWise® Adjustable Wire
Cabinet Liner	White
Certifications	
ENERGY STAR®	Yes
Specifications	
Total Capacity (Cu.Ft.)	10
Refrigerator Capacity (Cu.Ft.)	7.09
Freezer Capacity (Cu.Ft.)	2.88
Power Supply Connection Location	Right Bottom Rear
Voltage Rating	120V / 60Hz / 15 or 20A
Minimum Circuit Required (Amps)	15
Shipping Weight (Approx.)	154 Lbs.
Installation Type	Freestanding

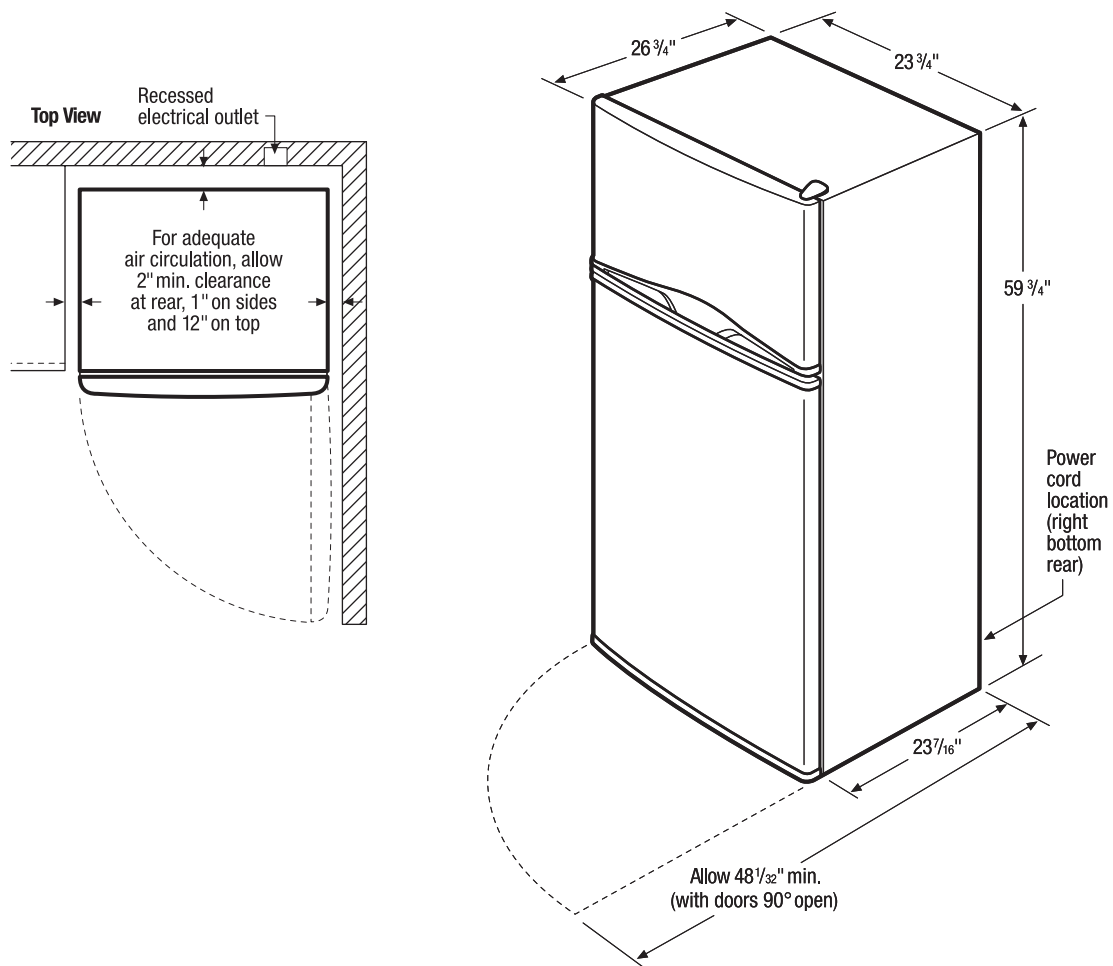


NOTE: For planning purposes only. Always consult local and national electric codes. Refer to Product Installation Guide for detailed installation instructions on the web at [frigidaire.com](http://frigidaire.com).



Product Dimensions	
A - Height	59-3/4"
B - Width	23-3/4"
C - Depth (Incl. Door)	26-3/4"
D - Depth with Door Open 90°	48-1/32"

Accessories information available on the web at [frigidaire.com](http://frigidaire.com)



### Apartment Refrigerator Specifications

- Product Shipping Weight (approx.) - 154 Lbs.
- Voltage Rating - 120V/60 Hz/15 or 20 Amps
- Always consult local and national electric codes.
- For adequate air circulation, allow 2" minimum clearance at rear, 1" on sides and 12" on top.
- Locate where surrounding air temperature will not exceed 110° F or drop below 10° F, to ensure optimum performance.

- All bottom corners of unit MUST rest firmly on solid level surface of hard material, same height as flooring. Surface must be strong and stable enough to support unit when fully loaded.
- Equipped with adjustable leveling legs to ensure unit is level, which is required in order to function properly.

**Note:** For planning purposes only. Refer to Product Installation Guide on the web at [frigidaire.com](http://frigidaire.com) for detailed instructions.