

Freezer

FFFC09M1RW

Manual Defrost
8.7 Cu. Ft. Chest



Product Dimensions

Height (Including Lid)	32-3/4"
Width	44"
Depth	24"

More Easy-To-Use Features

Manual Defrost

Defrost Water Drain

Use the drain to conveniently remove water during defrosting.

Available in:



White
(W)

Signature Features

Store-More™ Removable Basket

Convenient lift-out storage for easy access to most small frozen items or items that are most frequently used.

Power-On Indicator Light

Know at a glance that your freezer is working.

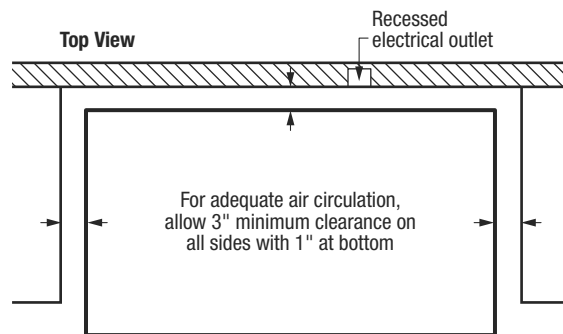
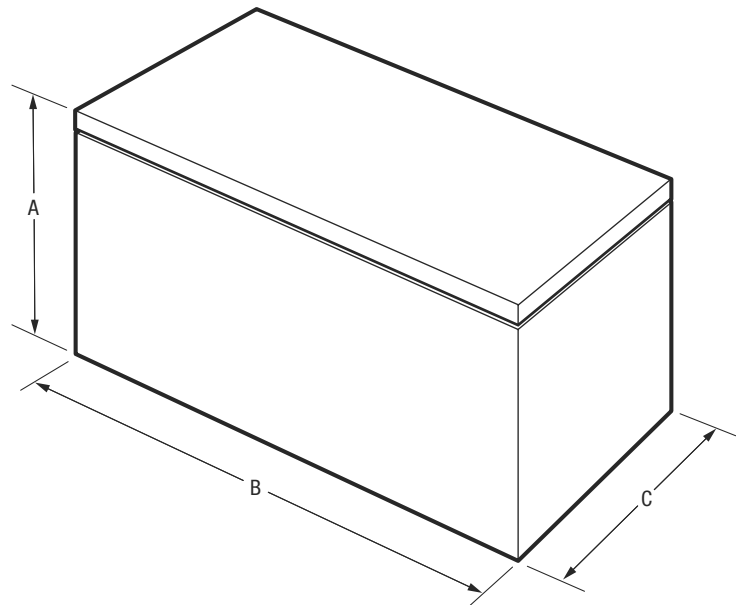
Adjustable Temperature Control

Select the correct temperature for your needs.

Color-Coordinated Handle

Features	
Defrost	Manual
Adjustable Temperature Control	Yes
Store-More™ Removable Baskets	1
Defrost Water Drain	Yes
Lid Handle	Yes
Power-On Light	Yes
Certifications	
UL Listing	Household
Specifications	
Total Capacity (Cu. Ft.)	8.7
Annual Energy (kWh)	218
Annual Energy Cost (.12/kWh)	\$26
Power Supply Connection Location	Left Bottom Rear
Voltage Rating	115V / 60Hz
Connected Load (kW rating) @ 115 Volts ¹	.6
Amps @ 115 Volts	5
Minimum Circuit Required (Amps)	15
Shipping Weight (Approx.)	96 Lbs.

¹An electrical supply with grounded three-prong receptacle is required. The power supply circuit must be installed in accordance with current edition of National Electrical Code (NFPA 70) and local codes & ordinances.



NOTE: For planning purposes only. Always consult local and national electric codes. Refer to Product Installation Guide for detailed installation instructions on the web at frigidaire.com.



Product Dimensions	
A - Height (Including Lid)	32-3/4"
B - Width	44"
C - Depth	24"
Height with Lid Open 90°	54-1/4"

Accessories information available on the web at frigidaire.com