

## Side-by-Side Refrigerators

LFSS2612T D/F/P/E

25.5 Cu. Ft. Standard-Depth

**ONLY AT  
LOWE'S!**  
¡SOLAMENTE EN LOWE'S!



### Signature Features

#### Adjustable Interior Storage

Over 100 ways to organize and customize your refrigerator. Details vary by model.

#### PureSource 3®

PureSource 3® Water Filtration gives you cleaner, better-tasting water at your fingertips.

#### LED Lighting

Our bright LED lighting makes it easy to see what's inside.

#### Deli Drawer

Keeps sandwich meats and cheeses organized in a convenient location.

### Product Dimensions

|                                     |         |
|-------------------------------------|---------|
| Height (Including Hinges & Rollers) | 69-7/8" |
| Width (Doors)                       | 36"     |
| Depth (Including Door)              | 32"     |

### More Easy-To-Use Features

#### Store-More™ Capacity

Our large capacity refrigerator gives you room to store more.

#### Store-More™ Gallon Door Bins

Door storage gives you room for larger items — like a gallon of milk.

#### Clear Dairy Door

#### Store-More™ Shelves

More space to store your food with edge-to-edge shelves.

#### Full-Width Freezer Shelf

Gives you more usable space to organize and store more.

#### Ready-Select® Controls

Easily select options with the touch of a button.

#### Energy Saver Plus Technology

Our refrigerator will automatically go into an energy-saving mode if not opened for 24 hours.

### Available in:



Black  
Stainless  
(D)



Stainless  
(F)

**EasyCare™**  
Stainless Steel



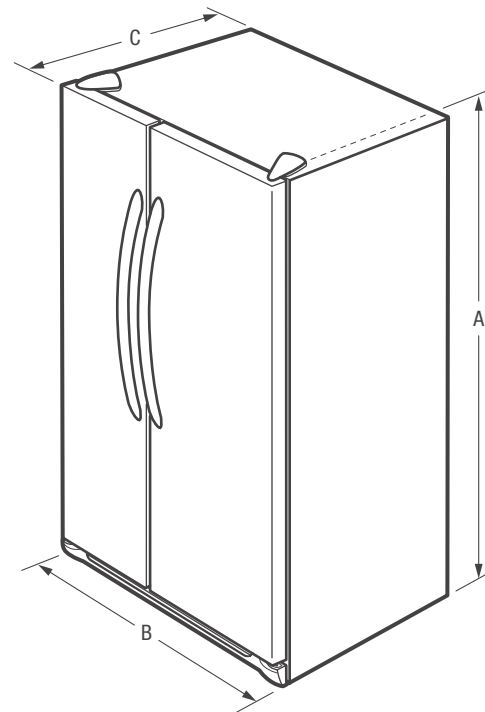
Pearl  
(P)



Ebony  
(E)

|  |   |
|--|---|
| <b>Features</b>  |   |
| Door Design  | UltraSoft™  |
| Door Handle Design                                     | Black Stainless (D),<br>Stainless Steel (F),<br>C-Coordinated (P/E) |
| Cabinet Finish   | Textured  |
| Door Stops/Door Closers                                | Yes/Yes   |
| Door Hinge Covers                                      | Color-Coordinated   |
| Rollers - Front/Rear                                   | Adjustable/Yes  |
| Energy Saver Plus Technology                           | Yes   |
| Water Filter Location                                  | Top Right Rear  |
| <b>Dispenser</b>                                       |   |
| Controls   | Ready-Select*   |
| Dispenser Design                                       | Short, 2-Paddle   |
| Number of Dispenser Buttons                            | 4   |
| Crushed Ice/Cube Ice/Water                             | Yes/Yes/Yes   |
| Ice Option/Freeze Option                               |   |
| Display On/Off Option                                  |   |
| Lock/Light   | No/Yes  |
| Temp/Door Ajar/Power Failure Alerts                    |   |
| Water Filter Change Indicator Light                    |   |
| Air Filter Change Indicator Light                      |   |
| <b>Refrigerator Features</b>                           |   |
| Interior Lighting                                      | Bright  |
| Water Filter Type                                      | PureSource 3*   |
| Fixed Shelves  | 3 Flat Glass  |
| Deli Drawer  | Yes   |
| Wine/Can Rack  |   |
| Upper Crisper/Lower Crisper                            | 1 Clear/1 Clear   |
| Dairy Compartment                                      | 1 Clear   |
| Fixed Door Bins  | 2 Two-Liter Clear   |
| Adjustable Door Bins                                   | 2 One-Gallon Clear  |
| Non-Slip Bin Liner/Bottle Retainers                    |   |
| <b>Freezer Features</b>                                |   |
| Door Bins/Tilt-Out Wire Door Bins                      | 4 White/No  |
| Fixed Shelves  | 1 Flip-Out/2 Wire   |
| Full Freezer Baskets                                   | 1 Plastic   |
| Half Freezer Baskets                                   | No  |
| Ice Cream Shelf/Pizza Shelf                            |   |
| Lighting   | Bright  |
| <b>Specifications</b>                                  |   |
| Total Capacity (Cu. Ft.)                               | 25.5  |
| Refrigerator Capacity (Cu. Ft.)                        | 16.5  |
| Freezer Capacity (Cu. Ft.)                             | 9   |
| Power Supply Connection Location                       | Right Bottom Rear   |
| Water Inlet Connection Location                        | Left Bottom Rear  |
| Voltage Rating   | 120V/60Hz   |
| Connected Load (kW Rating)<br>@ 120 Volts <sup>1</sup> | 1.02  |
| Amps @ 120 Volts                                       | 8.5   |
| Minimum Circuit Required (Amps)                        | 15  |
| Shipping Weight (Approx.)                              | 300 Lbs.  |

<sup>1</sup>For use on adequately wired 120V, dedicated circuit having 2-wire service with a separate ground wire. Appliance must be grounded for safe operation.

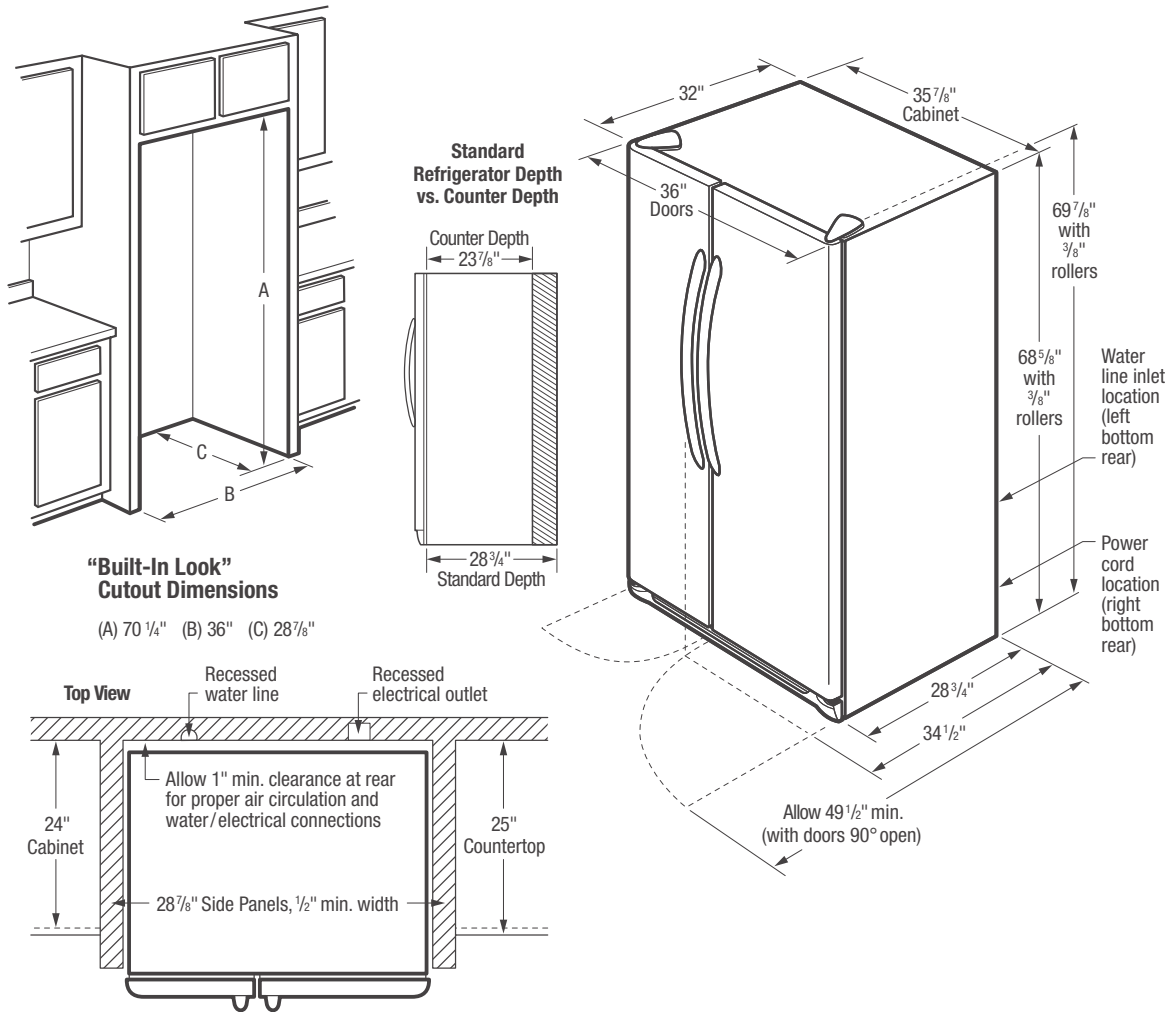


*NOTE: For planning purposes only. Always consult local and national electric and plumbing codes. Refer to Product Installation Guide for detailed installation instructions on the web at [lowes.com/frigidaire](http://lowes.com/frigidaire).*



| <b>Product Dimensions</b>           |               |
|-------------------------------------|---------------|
| A - Height (Incl. Hinges & Rollers) | 69-7/8"       |
| B - Cabinet Width/Door Width        | 35-7/8" / 36" |
| C - Depth (Incl. Door)              | 32"           |
| Depth with Door Open 90°            | 49-1/2"       |

Accessories information available on the web at [lowes.com/frigidaire](http://lowes.com/frigidaire)



**Side-by-Side Refrigerator Specifications**

- Product Shipping Weight (approx.) - 300 Lbs.
- Voltage Rating - 120V / 60 Hz
- Connected Load (kW Rating) @ 120 Volts = 1.02 kW (For use on adequately wired 120V, dedicated circuit having 2-wire service with a separate ground wire. Appliance must be grounded for safe operation.)
- Amps @ 120 Volts = 8.5 Amps
- Always consult local and national electric & plumbing codes.
- Floor should be level surface of hard material, capable of supporting fully loaded refrigerator.
- When installing refrigerator adjacent to wall, cabinet or other appliance that extends beyond front edge of unit, 20" minimum clearance recommended to allow for optimum 120° to 180° door swing, providing complete drawer / crisper access and removal. (*Absolute 4-1/2" minimum clearance will ONLY allow for 90° door swing which will provide drawer / crisper access with restricted removal.*)
- To ensure optimum performance, avoid installing in direct sunlight or close proximity to range, dishwasher or other heat source.
- For proper ventilation, front grille MUST remain unobstructed.

- Recess electrical outlet when possible.
- Water recess on rear wall recommended to prevent water line damage.
- Water Pressure - Cold water line must provide between 30 and 100 pounds per square inch (psi).
- Copper tubing with 1/4" O.D. recommended for water supply line with length equal to distance from rear of unit to household water supply line plus 7 additional feet. Optional Water Supply Installation Kits available.
- Adjustable front rollers to assist with door alignment.

**"Built-In Look" Specifications**

- Minimum opening of 70-1/4" H x 36" W x 28-7/8" D required to allow for ease of installation, proper air circulation, and plumbing / electrical connections.
- Remove all wall / floor molding prior to installation.

**Note:** For planning purposes only. Refer to Product Installation Guide on the web at [frigidaire.com](http://frigidaire.com) for detailed instructions.