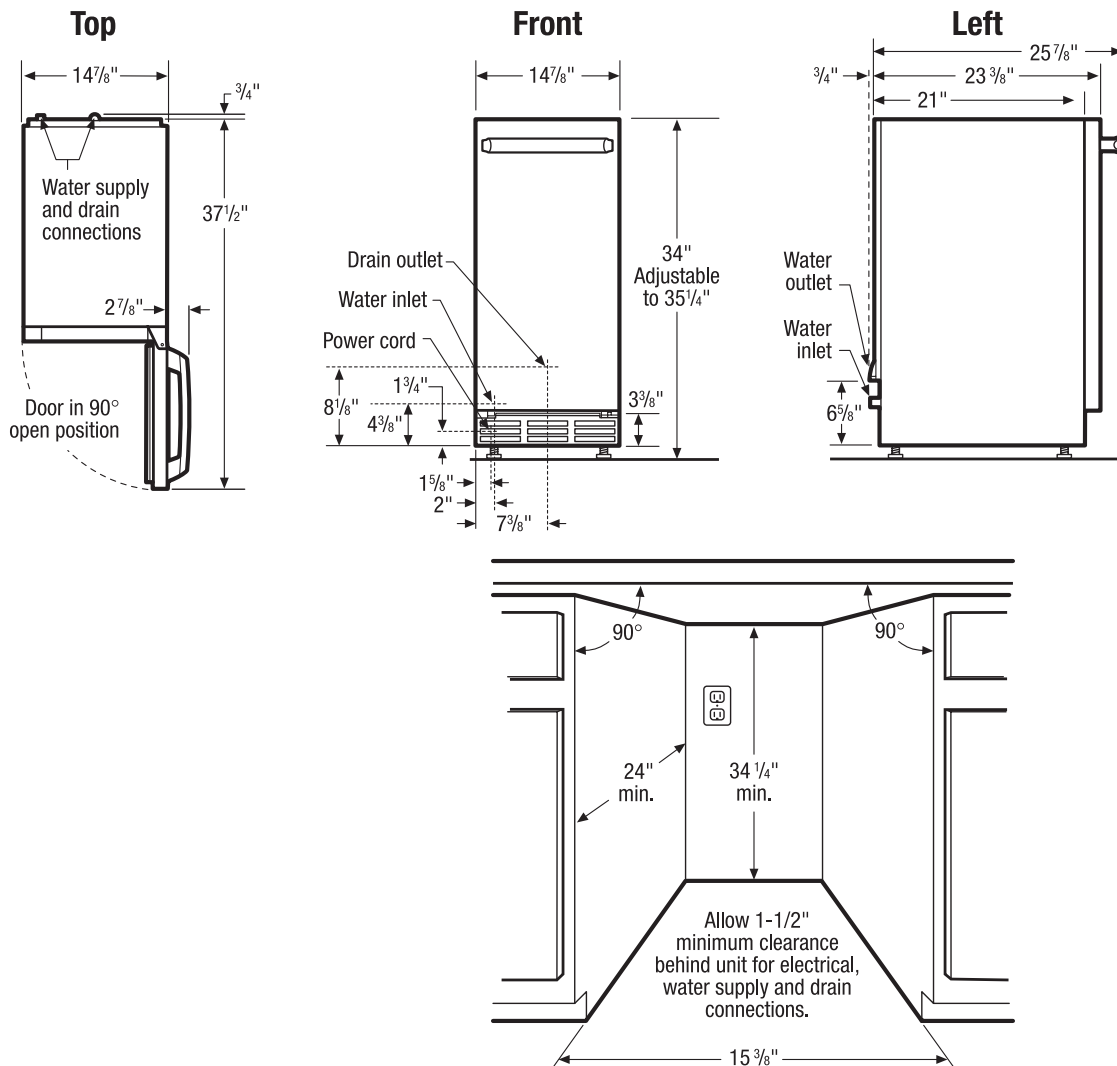


EI15IM55GS
012505673641

Installation

When installing next to a wall where handle may make contact, allow 3" of clearance between opened door and wall.



Important: Because of continuing product improvements, Electrolux Major Appliances reserves the right to change specifications without notice. Dimension and cutout information is for planning purposes only. For complete installation details consult manual packed with product, or download manual at Customer Service, online at www.electroluxappliances.com.