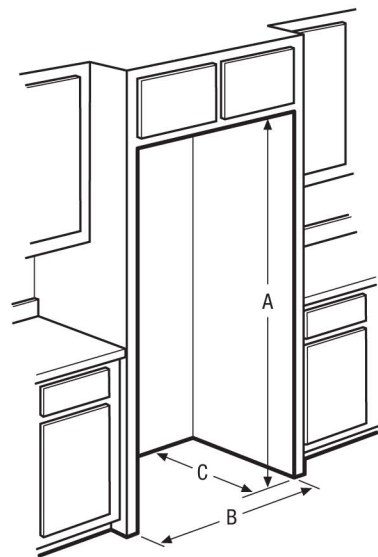


Counter-Depth Refrigerator

E23CS78HPS professional series

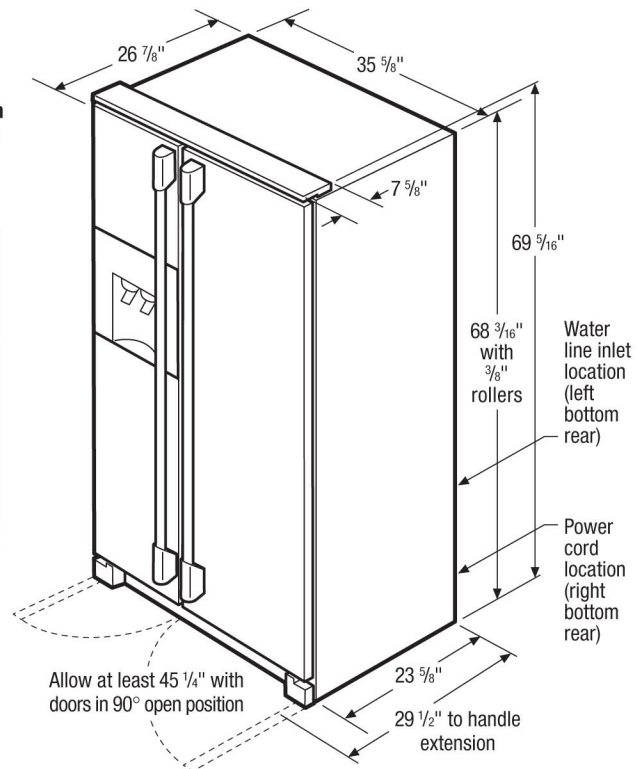
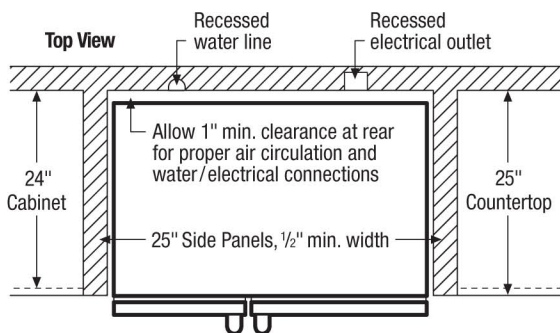
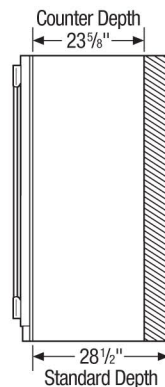
Electrolux | ICON®



"Built-In Look" Cutout Dimensions

(A) 70 1/4" (B) 36" (C) 25"

Standard Refrigerator Depth vs. Counter Depth



Note: Optional Louvered Trim Kit and Collar Kit available for Counter-Depth Refrigerator. For specifications, refer to Louvered Trim Kit (4480) Installation page or Collar Kit (ECK23CDS) Installation page on web.

Counter-Depth Refrigerator Specifications

- Product Weight – 300 Lbs.
- Voltage Rating – 120V/60 Hz/15 or 20 Amps
- Connected Load (kW Rating) @ 120 Volts = 1.02kW
(For use on adequately wired 120V, dedicated circuit having 2-wire service with a separate ground wire. Appliance must be grounded for safe operation.)
- Amps @ 120 Volts = 8.5 Amps
- Always consult local and national electric & plumbing codes.
- When installing next to wall allow 3-1/2" handle clearance.
- Floor should be level surface of hard material, capable of supporting fully loaded refrigerator.
- When installing refrigerator adjacent to wall, cabinet or other appliance that extends beyond front edge of unit, 20" minimum clearance recommended to allow for optimum 120° to 180° door swing, providing complete drawer/crisper access and removal. (*Absolute 4-1/2" minimum clearance will ONLY allow for 90° door swing which will provide drawer/crisper access with restricted removal.*)
- To ensure optimum performance, avoid installing in direct sunlight or close proximity to range, dishwasher or other heat source.
- For proper ventilation, front grille MUST remain unobstructed.
- Recess electrical outlet when possible.
- Water recess on rear wall recommended to prevent water line damage.
- Water Pressure – Cold water line must provide between 30 and 100 pounds per square inch (psi).

- Copper tubing with 1/4" O.D. recommended for water supply line with length equal to distance from rear of unit to household water supply line plus 7 additional feet. Optional Water Supply Installation Kits available.
- Adjustable front rollers to assist with door alignment.
- If optional Collar Kit (PN# ECK23CDS) is to be used, different cutout dimensions are required. (*Refer to Collar Kit ECK23CDS Installation Specifications page on web.*)
- If optional Louvered Trim Kit (PN# 4480) is to be used, different cutout dimensions are required. (*Refer to Louvered Trim Kit 4480 Installation Specifications page on web.*)

"Built-In Look" Specifications

- Minimum opening of 70-1/4" H x 36" W x 25" D required to allow for ease of installation, proper air circulation, and plumbing/electrical connections.
- Remove all wall/floor molding prior to installation.

Note: For planning purposes only. Refer to Product Installation Guide on the web at electroluxicon.com for detailed instructions.

Optional Accessories

- Collar Kit – (PN# ECK23CDS).
- Louvered Trim Kit – (PN# 4480).

Electrolux Major Appliances, N.A.

USA • 250 Bobby Jones Expressway • Augusta, GA 30907 • 1-877-4electrolux (1-877-435-3287) • electroluxicon.com
CANADA • 5855 Terry Fox Way • Mississauga, ON L5V 3E4 • 1-800-265-8352 • electroluxicon.ca

