

FRIGIDAIRE

Top Mount Refrigerator

LFHT2117NF/LW/LB (399273/327319/327321)

21 Cu. Ft. Top Mount

**ONLY AT
LOWE'S!**
¡SOLAMENTE EN LOWE'S!



Signature Features

SpaceWise® Adjustable Shelves

Easily adjust shelves up and down to create more space for taller items.

Store-More™ Humidity-Controlled Crisper Drawers

Keep your fruits and vegetables fresh in our humidity-controlled crisper drawers.

ONLY AT LOWE'S! EasyCare™ Stainless Steel¹

A protective coating on stainless steel that reduces fingerprints and smudges, making it easy to clean and keep clean.

ONLY AT LOWE'S! Easy Ice Ready

Install your optional ice maker in less than 5 minutes with Lowe's exclusive quick-connect technology. Easy Ice allows you to add ice-making capabilities to Lowe's exclusive Frigidaire Top Mount refrigerators (Easy Ice Maker Model # IMQCT).

Product Dimensions

Height (Including Hinges)	69-3/8"
Width	30"
Depth (Including Door)	32"

More Easy-To-Use Features

Full-Width Door Racks

Gives you more usable door space for accessibility and better organization.

Full-Width Freezer Shelf

For more usable space and better organization.

Store-More™ Gallon Door Shelf

Door storage gives you room for larger items like a gallon of milk.

Store-More™ Capacity

Our large capacity refrigerator gives you room to store more.

Bright Lighting

Our bright lighting makes it easy to see what's inside.

Cool Zone™ Drawer

Conveniently located in the fresh food section, the Cool Zone™ Drawer is ideal for deli meats, cheeses and sandwich fixings or any food items that are frequently used.

Reversible Door

Door can be installed to open left or right based on your needs (W/B only).

Available in:

EasyCare™
Stainless Steel



White
(W)



Black
(B)

Compare to Model:

FFHT2117L W/B

with these additional features

- EasyCare™ Stainless Steel
- Easy Ice

¹ Select models only.

Lowe's.com/frigidaire

Features	
Door Design	Short Door/UltraSoft™
Door Handle Design	Color-Coordinated
Cabinet Finish (Textured)	Color-Coordinated
Door Stops	Yes
Door Hinge Covers	Color-Coordinated
Door Reverse Option	Yes (W/B Only)
Rollers - Front/Rear	Adjustable/ Yes
Sound Package	Standard
Toe Grille	Color-Coordinated
Refrigerator Features	
Interior Lighting	Bright
Refrigerator Shelves	2 Sliding SpaceWise® Adjustable Glass
Cool Zone™ Drawer	Clear
Store-More™ Crisper Drawers	2 Clear
Humidity Controls	2
Dairy Compartment	Clear Dairy Door
Door Bins	3 Full-Width White
Gallon Door Storage	1
Freezer Features	
Door Racks	2 Full-Width White
Freezer Shelves	1 Full-Width
Ice Maker	Optional (IMQCT)
Certifications	
ENERGY STAR®	No
Specifications	
Total Capacity (Cu. Ft.)	20.6
Refrigerator Capacity (Cu. Ft.)	15.3
Freezer Capacity (Cu. Ft.)	5.3
Power Supply Connection Location	Right Bottom Rear
Water Inlet Connection Location	Bottom Right
Voltage Rating	120V / 60Hz / 15 or 20A
Connected Load (kW Rating) @ 120 Volts¹	.72
Amps @ 120 Volts	4.5 Amps
Minimum Circuit Required (Amps)	15
Shipping Weight (Approx.)	220 lbs.

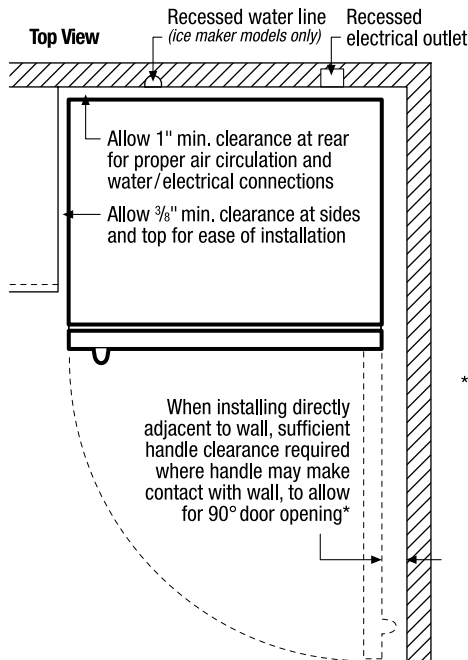
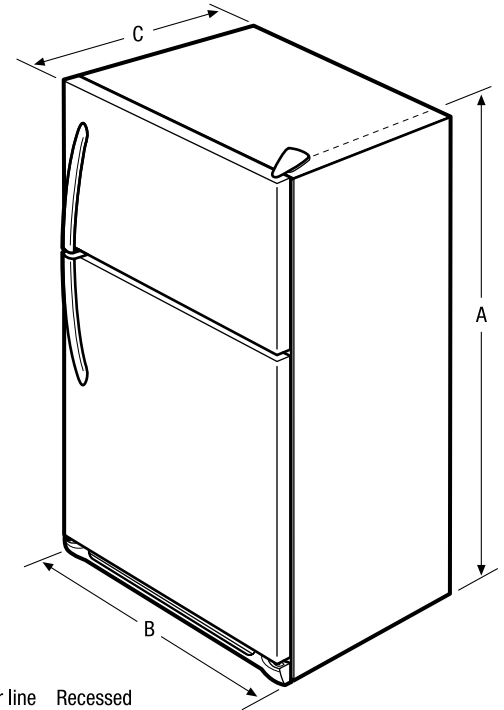
¹ For use on adequately wired 120V, dedicated circuit having 2-wire service with a separate ground wire. Appliance must be grounded for safe operation.

Electrical Specifications

- An electrical supply with grounded three-prong receptacle is required. The power supply circuit must be installed in accordance with current edition of National Electrical Code (NFPA 70) and local codes & ordinances.
- Voltage Rating - 120V / 60 Hz / 15 or 20 Amps
- Connected Load (kW Rating) @ 120 Volts = .72 kW
- Amps @ 120 Volts = 4.5 Amps

Optional Accessories

- Optional Ice Maker Kit (PN # IM-QCT) available for installation in ice maker-ready models only.



* When installing refrigerator adjacent to wall, cabinet or other appliance that extends beyond front edge of unit, 20" minimum clearance recommended to allow for optimum 140° door swing, providing complete crisper access and removal. (Absolute 3" minimum clearance will ONLY allow for 90° door swing which will provide limited crisper access with restricted removal.)

NOTE: For planning purposes only. Always consult local and national electric and plumbing codes. Refer to Product Installation Guide for detailed installation instructions on the web at frigidaire.com.



Product Dimensions	
A - Height (Incl. Hinges and Covers)	69-3/8"
B - Width	30"
C - Depth (Including Door)	32"
Depth with Door Open 90°	60"

Accessories information available on the web at Lowes.com/frigidaire