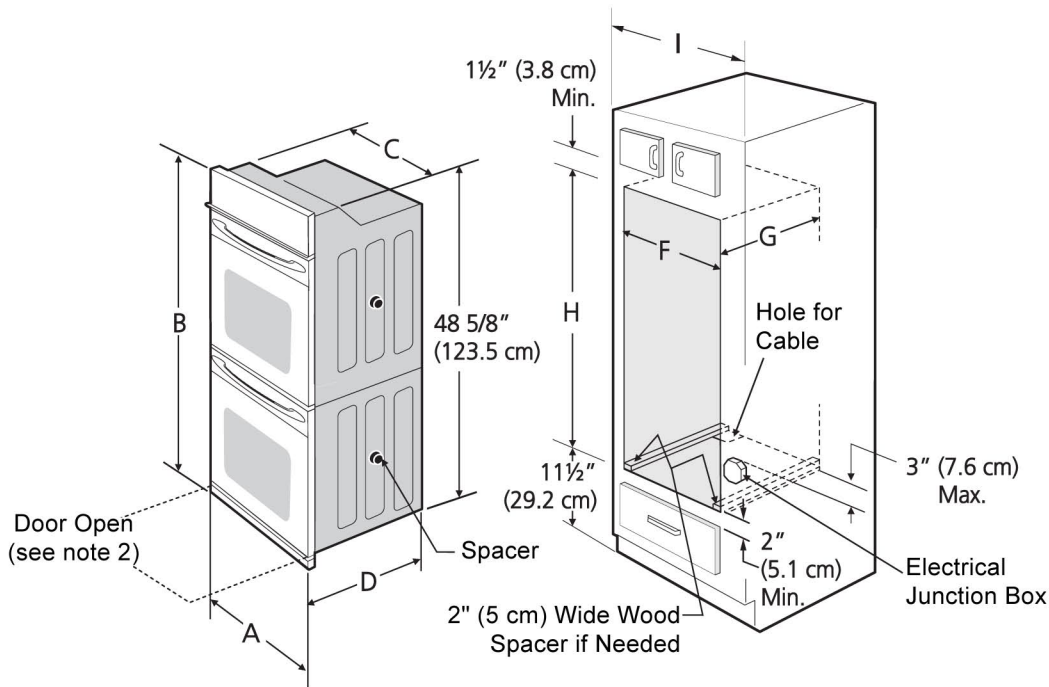


# ELECTRIC WALL OVEN INSTALLATION INSTRUCTIONS

(and Optional Electric or Gas Cooktop Combination)

**⚠ WARNING** Do not remove spacers (if equipped) on the side walls of the built-in oven. These spacers center the oven in the space provided. The oven must be centered to prevent excess heat buildup that may result in heat damage or fire.



- NOTES:**
1. Base must be capable of supporting 300 pounds (136 kg) for 27" models and 375 pounds (170 kg) for 30" models.
  2. Allow at least 21" (53.3 cm) clearance in front of oven for door depth when it is open.
  3. Dimension G (cutout depth) is critical to the proper installation of the built-in oven. If the oven decorative trim does not butt against the cabinet, or if noise is heard on convection models, verify dimension G to assure it is according to the required dimension.
  4. For a cutout height greater than 49 1/2" (125.7 cm) add a 2" (5.1 cm) wide wood shim of appropriate height to each side of the opening under the appliance side rails.
  5. 30" MODELS ONLY: For a cutout height (H) greater than 49 7/8" (126.7 cm) you can order a larger bottom trim through a Service Center.

Figure 2  
27" AND 30" DOUBLE OVENS (Single Ovens see Figure 1)

PRODUCT DIMENSIONS						
MODEL	A	B	C	D		
27" (68.6 cm) Wall Oven	27 (68.6)	50 <sup>7</sup> / <sub>16</sub> (128.1)	24 <sup>5</sup> / <sub>8</sub> (62.5)	24 <sup>3</sup> / <sub>4</sub> (62.9)		
30" (76.2 cm) Wall Oven	30 (76.2)	50 <sup>7</sup> / <sub>16</sub> (128.1)	28 <sup>1</sup> / <sub>4</sub> (71.8)	24 <sup>3</sup> / <sub>4</sub> (62.9)		
CUTOUT DIMENSIONS AND CABINET WIDTH						
MODEL	F		G (Min.)	H. Standard Height (**Others, see notes 4 & 5)		I
	Min.	Max.		Min.	Max.	
27" (68.6 cm) Wall Oven	24 <sup>7</sup> / <sub>8</sub> (63.2)	25 <sup>1</sup> / <sub>4</sub> (64.1)	23 <sup>1</sup> / <sub>2</sub> (59.7)	48 <sup>7</sup> / <sub>8</sub> (124.1)	49 <sup>7</sup> / <sub>8</sub> (126.7)	27 <sup>1</sup> / <sub>8</sub> (68.9) Min
30" (76.2 cm) Wall Oven	28 <sup>1</sup> / <sub>2</sub> (72.4)	29 (73.7)	23 <sup>1</sup> / <sub>2</sub> (59.7)	48 <sup>7</sup> / <sub>8</sub> (124.1)	49 <sup>7</sup> / <sub>8</sub> (126.7)	30 <sup>1</sup> / <sub>8</sub> (76.5) Min

All dimensions are in inches (cm).