



Microwave Combination Ovens

FGMC3065P F/B



Signature Features



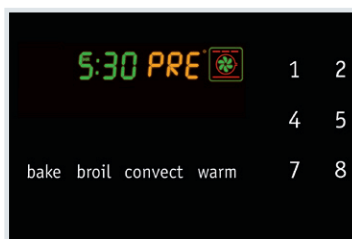
Effortless™ Convection

Takes the guesswork out of convection cooking — our oven automatically adjusts standard baking temperatures to convection temperatures for consistent results.



True Convection

Single convection fan circulates hot air throughout the oven for faster and more even multi-rack baking



Six-Minute Quick Preheat

Preheat in less than six minutes.¹



Fits-More™ Microwave Oven

Extra-large microwave provides 2.0 cu. ft. of cooking space.

Product Dimensions

Height	42-3/4"
Width	30"
Depth	24-1/2"

More Easy-To-Use Features

One-Touch™ Keep Warm Setting

Just one touch of a button keeps food warm until everything — and everyone — is ready.

Express-Select® Controls

Easily set cooking temperature or choose one-touch cooking options.

Even Baking Technology

Our Even Baking Technology ensures even baking every time.

Effortless™ Reheat

Reheat almost anything at the touch of a button.

Quick Clean

For a quick, light oven cleaning.

Built with American Pride

Appliances that are high-performing, more accessible, and more innovative than ever — designed, built, and engineered in the U.S.A.

Delay Start

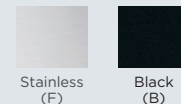
Set your oven to begin cooking on your schedule. It can be programmed from one to 24 hours.

Auto Oven Shut-Off

As an extra safety measure, the oven will automatically shut off after six hours.

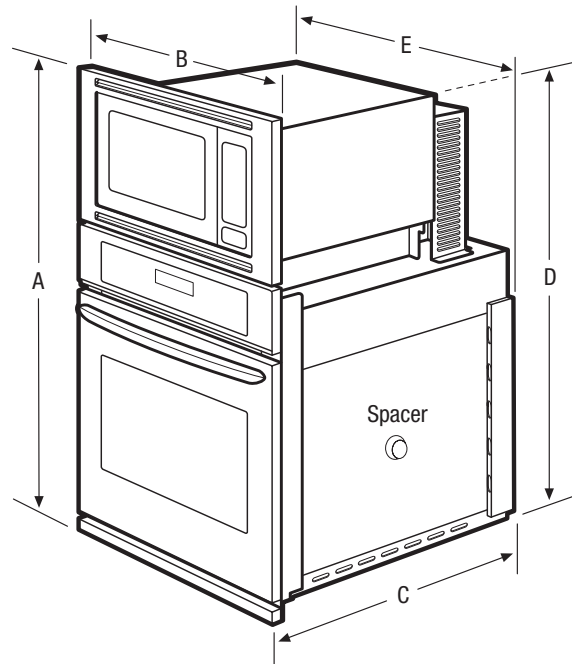
Sabbath Mode (Star-K® Certified)

Available in:



¹Based on single rack cooking performance, not set temperature, using Quick Preheat.

Features	
Control/Timing System	Express-Select*
Exterior Door Finish	Smudge-Proof™ Stainless Steel (F), Color-Coord. (B)
Handle Design	Stainless Steel (F), Color-Coordinated (B)
Microwave Features	
Microwave Capacity (Cu.Ft.)	2.0
Watts (IEC-705 Test Procedure)	1,200
Window	Large
Interior Light	Yes
Interior Color	White
Turntable Diameter	16"
Turntable On/Off	
Control Lock/Clock	Yes/Yes
Touch Pad Buttons/Power Levels	28/10
Microwave Control Options	
Popcorn Button	Yes
Chicken Nugget Button	Yes
Baked Potato Button	Yes
Reheat Button/Snack Button	Yes/Yes
Auto Melt/Soften Options	4
Auto Reheat Options	3
Snack Menu Options	3
Auto Cook Options	3
Auto Defrost Options	6
Keep Warm/Add-30-Seconds	Yes/Yes
Sensor Cooking Options	5
Vegetable Cook Sensor	Yes
Delay Start/User Preferences	Yes/Yes
Oven Features	
Oven Capacity (Cu. Ft.)	4.6
Oven Window	Extra-Large
Oven Lights	2 Halogen
Hidden Bake Element	Yes
Convection System	True Convection
Baking System	Even Baking Technology
Broiling System	Vari-Broil™
Quick Preheat	Yes
Bake/Broil Element (Watts)	2,000 / 4,000
Oven Rack Configuration	2 Heavy Duty, 1 Offset Rack
Oven Cleaning System	Self Clean/Steam Clean
Oven Controls	
Convection Conversion	Effortless™
My Favorite/Slow Cook	
Effortless™ Temperature Probe	Yes
Chicken Nugget Button/Pizza Button	
Keep Warm/Add-a-Minute	Yes/No
Optional Accessories	
3"-High Bottom Trim - Stainless Steel (F)/Black (B)	(F) PN# 318259707 (B) PN# 318259704
10'-Long Armored Power Cable	PN# 903056-9010
Certifications	
Sabbath Mode (Star-K® Certified)	Yes
Specifications	
Microwave Oven Interior (H x W x D)	10-1/2" x 17-3/8" x 18-5/8"
Oven Interior (H x W x D)	17-1/2" x 24-1/8" x 18-3/4"
Power Supply Connection Location	Left Bottom Rear
Voltage Rating	240V / 208V / 60Hz
Connected Load (kW Rating) @ 240/208 Volts¹	7.5/5.6
Amps @ 240/208 Volts	31.3/26.9
Minimum Circuit Required (Amps)	30
Shipping Weight (Approx.)	250 Lbs.



NOTE: For planning purposes only. Always consult local and national electric codes. Refer to Product Installation Guide for detailed installation instructions on the web at frigidaire.com.



Product Dimensions	
A - Height	42-3/4"
B - Width	30"
C - Depth	24-1/2"
D - Height (Wrapper)	40-15/16"
E - Width (Wrapper)	28-1/4"
Depth with Door Open 90°	45-1/2"

Cutout Dimensions	
Height (Min.)/(Max.)	41-1/8" / 41-1/4"
Width (Min.)/(Max.)	28-1/2" / 29"
Depth (Min.)	23-1/2"

¹Single phase 3- or 4-wire cable, 120 / 240 or 120 / 208 Volt, 60 Hertz AC only electrical supply with ground required on separate circuit fused on both sides of line.

Accessories information available on the web at frigidaire.com

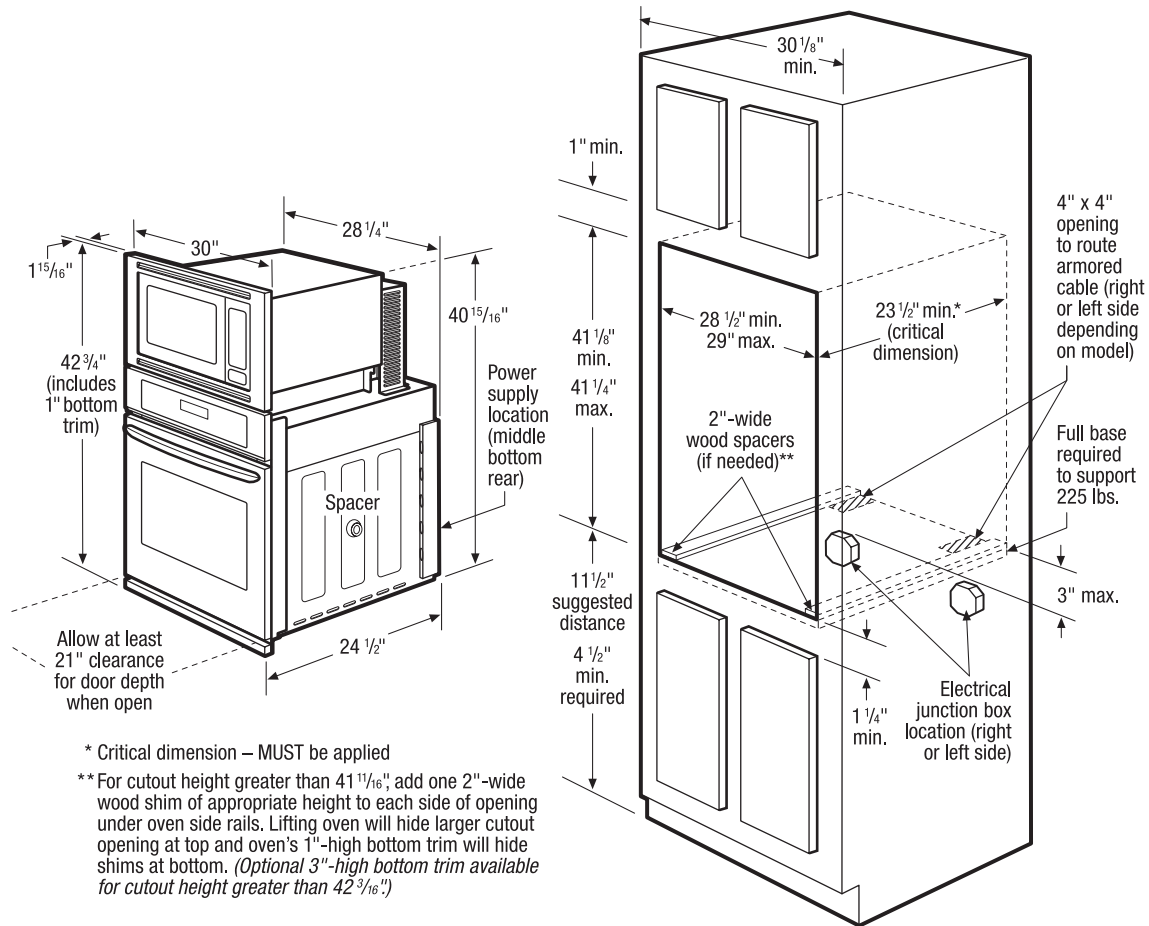
FRIGIDAIRE

USA • 10200 David Taylor Drive • Charlotte, NC 28262 • 1-800-FRIGIDAIRE • frigidaire.com
 CANADA • 5855 Terry Fox Way • Mississauga, ON L5V 3E4 • 1-800-265-8352 • frigidaire.ca

FGMC3065P 09/13

© 2013 Electrolux Home Products, Inc.

Specifications subject to change.



Microwave Combination Oven Specifications

- Product Shipping Weight (approx.) – 250 Lbs.
- Single phase 3- or 4-wire cable, 120/240 or 120/208 Volt, 60 Hertz AC only electrical supply with ground required on separate circuit fused on both sides of line.
- Connected Load (kW Rating) @ 240/208 Volts = 7.5/5.6
- Amps @ 240/208 Volts = 31.3/26.9
- Recommended Circuit Breaker – 30 Amps
- Always consult local and national electric codes.
- Minimum 21" clearance for oven door depth when open.
- Suggested distance from floor is 11-1/2". Minimum required distance is 4-1/2".
- To adapt Microwave Combination Oven to fit cutout height greater than 41-11/16", add one 2"-wide wood shim of appropriate height to each side of opening under oven side rails. Lifting oven will hide larger cutout opening at top and oven's 1"-high bottom trim will hide shims at bottom. (Standard 1"-High Bottom Trim included.)

- To adapt Microwave Combination Oven to fit cutout height greater than 42-3/16", optional 3"-High Bottom Trim available.
- Minimum 23-1/2" deep cutout dimension is critical for proper installation, to ensure that oven's faceplate will fit flush against cabinet front.
- Full oven base of solid plywood or similar material required, capable of supporting 225 Lbs.
- Base must be level and cabinet front must be square.
- Microwave Combination Ovens are NOT approved to be used in stackable or side-by-side installation.

Note: For planning purposes only. Refer to Product Installation Guide on the web at frigidaire.com for detailed instructions.

Optional Accessories

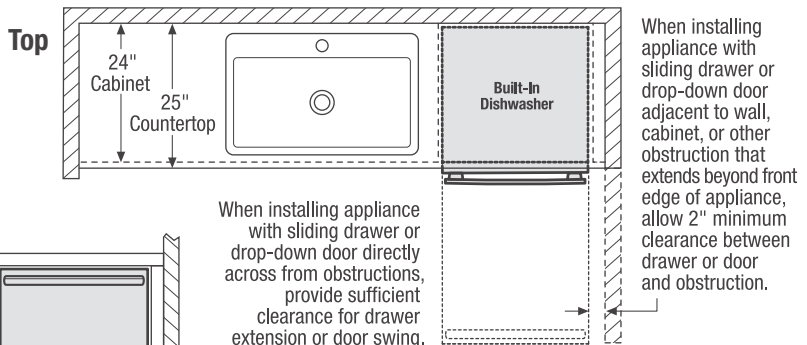
- 3"-High Stainless Steel Bottom Trim – (PN # 318259707).
- 3"-High Black Bottom Trim – (PN # 318259704).
- 10'-Long Armored Power Cable – (PN # 903056-9010).

Use these dimensions and clearance instructions for planning purposes only. For detailed installation instructions, refer to installation guide, packed with product, or on the web at frigidaire.com.



*When installing side-by-side refrigerator adjacent to wall, cabinet or another appliance that extends beyond front edge of unit, 20" minimum clearance recommended to allow for optimum 120° to 180° door swing, providing complete drawer/crisper access and removal. (Absolute 4-1/2" minimum clearance will ONLY allow for 90° door swing which will provide limited drawer/crisper access with restricted removal.)

When installing appliance with sliding drawer, swinging or drop-down door directly across from obstructions, provide sufficient clearance for drawer extension or door swings.



Use these dimensions and clearance instructions for planning purposes only. For detailed installation instructions, refer to installation guide, packed with product, or on the web at frigidaire.com.



*When installing top mount refrigerator adjacent to wall, cabinet or other appliance that extends beyond front edge of unit, 20" minimum clearance recommended to allow for optimum 140° door swing, providing complete crisper access and removal. (Absolute 3" minimum clearance will ONLY allow for 90° door swing which will provide limited crisper access with restricted removal.)

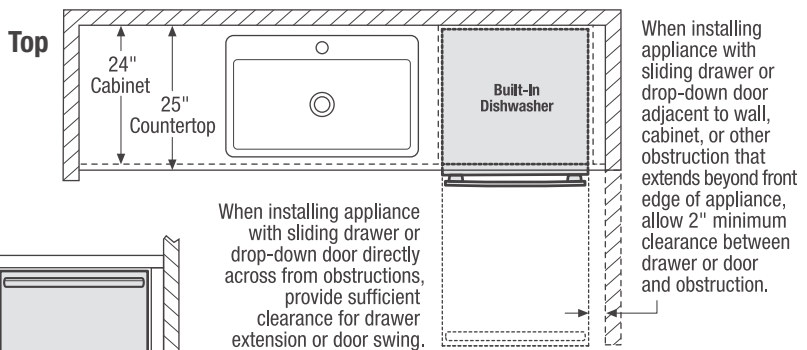


Use these dimensions and clearance instructions for planning purposes only. For detailed installation instructions, refer to installation guide, packed with product, or on the web at frigidaire.com.



*When installing French door refrigerator adjacent to wall, cabinet or another appliance that extends beyond front edge of unit, 20" minimum clearance recommended to allow for optimum 120° to 180° door swing, providing complete drawer/crisper access and removal. (Absolute 4-1/2" minimum clearance will ONLY allow for 90° door swing which will provide limited drawer/crisper access with restricted removal.)

When installing appliance with sliding drawer, swinging or drop-down door directly across from obstructions, provide sufficient clearance for drawer extension or door swings.



Use these dimensions and clearance instructions for planning purposes only. For detailed installation instructions, refer to installation guide, packed with product, or on the web at frigidaire.com.

