

# DOUBLE WALL OVEN

EI27EW45PS

Featuring IQ-Touch™ Electronic Controls



## PRODUCT DIMENSIONS

Height (Including 1" Bottom Trim)	50-7/16"
Width	27"
Depth (to Front Door Corner) (with 90° Door Open)	24-3/4" 45-3/4"

## MORE EASY-TO-USE FEATURES

### FRESH CLEAN™ TECHNOLOGY

Exclusive Fresh Clean™ self-cleaning technology virtually eliminates odors and smoke to keep the room smelling fresh.

### "MY FAVORITE" SETTING

A setting you can customize to meet your needs, so the option you want is available at the touch of a button.

### CONVECTION CONVERSION

Automatically adjusts standard baking temperatures to convection temperatures, for perfect, consistent results.

### MULTIPLE SELF-CLEAN OPTIONS WITH AUTOMATIC DOOR LOCK

### HIDDEN BAKE ELEMENT

The lower bake element is hidden beneath a smooth surface, allowing convenient, easy cleanup.

### SIGNATURE COBALT BLUE INTERIOR

### FULL OVEN GLASS INNER DOOR

Flat oven door design for easy cleanup.

### SABBATH MODE (STAR-K® CERTIFIED)

### PLATINUM STAR® LIMITED WARRANTY

Our exclusive limited warranty that includes a 3-year coverage on parts and one year on labor without charge.<sup>1</sup>

Available in:



Stainless  
(S)

## SIGNATURE FEATURES



### PERFECTCONVECT3®

Our convection technology features a third convection element for consistently even results across all racks.



### FAST PREHEAT

The Fast Preheat feature expedites warming the oven to the desired temperature 25% faster than traditional preheat.



### IQ-TOUCH™ CONTROLS

For those who like to have their options always visible on their wall oven, the IQ-Touch™ control panel displays all of your options, at all times.<sup>1</sup>



### LUXURY-GLIDE® OVEN RACK

With a ball bearing system, the oven rack is so smooth it extends effortlessly.

<sup>1</sup>Eligibility based on product registration with Electrolux North America within 60 days of purchase. Products must have been purchased on or after July 1, 2013. Coverage includes material parts for 3 years and labor for 1 year.

# DOUBLE WALL OVEN

EI27EW45PS



## 27" ELECTRIC DOUBLE WALL OVEN

Configuration	Double
---------------	--------

### CONTROL PANEL FEATURES

IQ-Touch™ Electronic Oven Controls	Yes
Keypad Entry of Time & Temperature	Yes
Electronic Clock & Timer	Yes
Temperature Display	Yes
Toggle Control	Yes
Automatic Oven (Delay, Cook & Off)	Yes
Lockout	Yes
Automatic Oven Shutoff – 12 Hour	Yes
Programmable for °F or °C	Yes
Halogen Oven Lights/Touch Pad On/Off	Yes

### OVEN FEATURES

Oven Cavity (both ovens)	3.9 Cu. Ft.
Hidden Bake Element	Yes
Electric Bake Element – 1450 Watts	Yes
Six-Pass Broil Element – 3400 Watts	Yes
Convection Element – 2500 Watts	Yes
Cobalt Blue Interior	Yes
Self-Clean Options with Door Lock	3
Fresh Clean™	Yes
Perfect Convection® with Variable 2-Speed Fans	Yes
Cooking Modes – Bake, Broil, Convection Bake, Convection Roast, Convection Broil, Keep Warm, Slow Cook	7
Baking Options – Dehydrate, Bread Proof, My Favorite, Temperature Probe, Fast Preheat, Delay Bake, Convection Convert	7
Halogen Oven Lights (Dual 25W Bulbs)	Yes
Luxury-Glide® Racks	1
Conventional Racks	2
Convection Roasting Rack	Yes

### ADDITIONAL FEATURES

Signature Soft-Arc Handle Design	Yes
Luxury-Hold™ Oven Doors	Yes
Extra-Large Glass Windows	Yes
Sabbath Mode (Star-K® Certified)	Yes

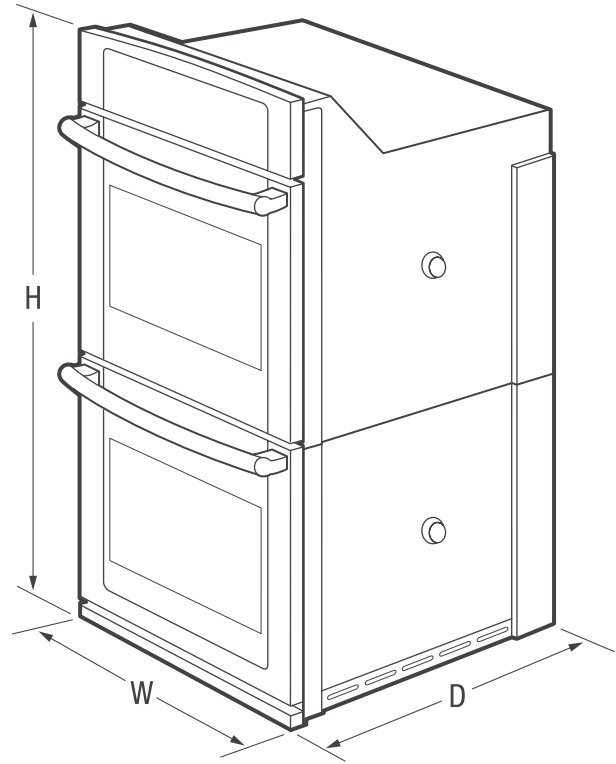
### ACCESSORIES

Porcelain Broiler Pan and Insert	Included
3"-High Bottom Trim: S – PN# 903114-9020	Optional
10'-Long Armored Power Cable – PN# 903056-9010	Optional

### SPECIFICATIONS

Color –	S
Stainless Steel	Left Bottom Rear
Power Supply Connection Location	8.0/6.0
Connected Load (kW Rating)@240/208 Volts	33.3/28.8
Amps @ 240/208 Volts	30
Minimum Circuit Required (Amps)	Yes
3-1/2'-Long Armored Electrical Cable	240 Lbs.
Shipping Weight (Approx.)	

NOTE: Always consult local and national electric codes. Refer to Product Installation Guide for detailed installation instructions on the web at [electroluxappliances.com](http://electroluxappliances.com).  
Specifications subject to change.



### PRODUCT DIMENSIONS

Height (Including 1" Bottom Trim)	50-7/16"
Width	27"
Depth (to Front Door Corner) (with 90° Door Open)	24-3/4" 45-3/4"

### OVEN CAVITY DIMENSIONS

Height	17-1/2"
Width	20-1/2"
Depth	19-1/2"

## Electrolux Major Appliances, N.A.

USA • 10200 David Taylor Drive • Charlotte, NC 28262 • 1-877-4electrolux (1-877-435-3287) • [electroluxappliances.com](http://electroluxappliances.com)  
 CANADA • 5855 Terry Fox Way • Mississauga, ON L5V 3E4 • 1-800-265-8352 • [electroluxappliances.ca](http://electroluxappliances.ca)

EI27EW45P 07/14

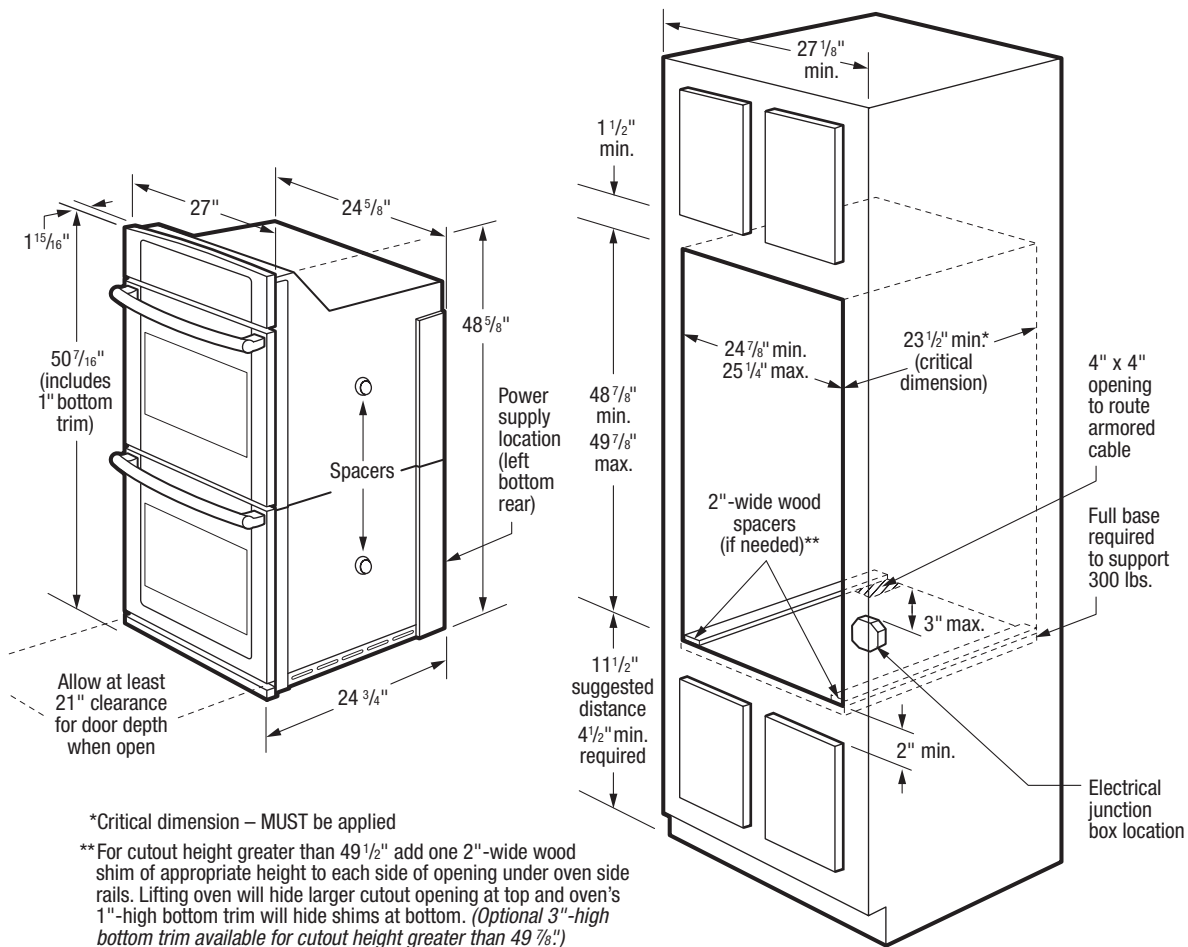
© 2014 Electrolux Home Products, Inc.



High standards of quality at Electrolux Home Products, Inc. mean we are constantly working to improve our products. We reserve the right to change specifications or discontinue models without notice.

# DOUBLE WALL OVEN

EI27EW45PS



## 27" Electric Double Wall Oven Specifications

- Product Weight – 220 Lbs.
- Single phase 3- or 4-wire cable, 120 /240 or 120/208 Volt, 60 Hertz AC only electrical supply with ground required on separate circuit fused on both sides of line.
- Connected Load (kW Rating) @ 240/208 Volts = 8.0 /6.0 kW
- Amps @ 240/208 Volts = 33.3 /28.8 Amps
- Recommended Circuit Breaker – 30 Amps
- Always consult local and national electric codes.
- Minimum 21" clearance for oven door depth when open.
- Suggested distance from floor is 11-1/2". Minimum required distance is 4-1/2".
- Minimum 23-1/2" deep cutout dimension is critical for proper installation, to ensure that oven's faceplate will fit flush against cabinet front.
- For cutout height greater than 49-1/2" add one 2"-wide wood shim of appropriate height to each side of opening under oven side rails. Lifting oven will hide larger cutout opening at top and oven's 1"-high bottom trim will hide shims at bottom. (Standard 1"-High Bottom Trim included. Optional 3"-High Bottom Trim available for cutout height greater than 49-7/8".)

- Full oven base of solid plywood or similar material required, capable of supporting 300 Lbs.
- Base must be level and cabinet front must be square.
- Double Wall Ovens are NOT approved to be used in stackable or side-by-side installation.

**Note: For planning purposes only. Refer to Product Installation Guide on the web at [electroluxappliances.com](http://electroluxappliances.com) for detailed instructions.**

### Optional Accessories

- 3"-High Bottom Trim: S – (PN# 903114-9020).
- 10'-Long Armored Power Cable – (PN# 903056-9010).

## Electrolux Major Appliances, N.A.

USA • 10200 David Taylor Drive • Charlotte, NC 28262 • 1-877-4electrolux (1-877-435-3287) • [electroluxappliances.com](http://electroluxappliances.com)  
 CANADA • 5855 Terry Fox Way • Mississauga, ON L5V 3E4 • 1-800-265-8352 • [electroluxappliances.ca](http://electroluxappliances.ca)

EI27EW45P 07/14

© 2014 Electrolux Home Products, Inc.



High standards of quality at Electrolux Home Products, Inc. mean we are constantly working to improve our products. We reserve the right to change specifications or discontinue models without notice.