



# Single Wall Oven

FPEW3077RF

30" Electric



### Product Dimensions

Height	29"
Width	30"
Depth	24-3/4"

### More Easy-To-Use Features

#### Built with American Pride

Designed, engineered and assembled in the U.S.A.

#### Dual Timers

Set two timers when cooking dishes simultaneously.

#### 2-Hour Self-Clean

A powerful, quick clean for your oven in just 2 hours with PowerPlus® Self-Clean cycle.

#### Convection Conversion

Automatically converts the convection oven to the ideal cooking time for evenly cooked dishes.

#### PowerGlide™ Rack

Access warm dishes from your oven with ease — rack glides in and out of the oven smoothly.

#### A.D.A. Compliant

When properly installed, this model is A.D.A.-qualified based on the United States Access Board's A.D.A./A.B.A. Accessibility Guidelines and the Department of Justice's 2010 A.D.A. Standards for Accessible Design.



Sabbath Mode (Star-K® Certified)

#### Available in:



Stainless (F)

*\*Applies to baking foods on one rack.*

## Signature Features



#### PowerPlus® Convection

Powerful performance delivers consistent results. Evenly cooked dishes, every time, with PowerPlus® Convection Bake and Roast.



#### PowerPlus® Temperature Probe

Ensures great results the first time. Set and monitor dish temperature with the PowerPlus® Temperature Probe.



#### PowerPlus® No Preheat

Oven is ready in no time. Start baking immediately with PowerPlus® No Preheat.<sup>1</sup>



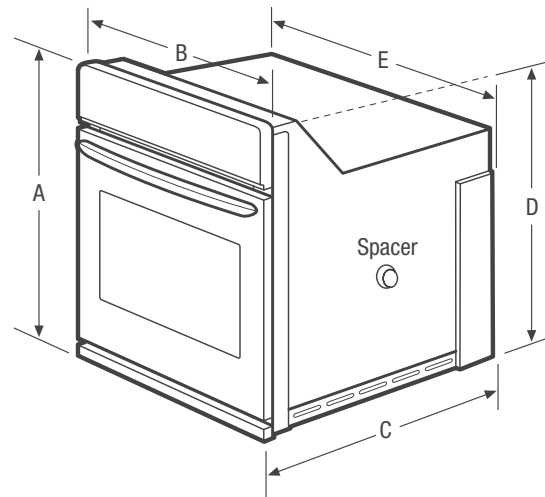
#### Smudge-Proof™

Resists fingerprints and cleans easily.

Features	
Oven Control/Timing System	PrecisionPro™ Controls
Window	Extra-Large
Exterior Door Finish	Smudge-Proof™ Stainless Steel
Handle Design	Stainless Steel
Oven Cleaning System	Self-Clean
Oven Controls	
Bake/Broil	Yes/ Variable (400 - 550 °F)
Convection Conversion	Yes
Convection Bake/Broil/Roast	Yes/No/Yes
Oven Preheat	PowerPlus® No Preheat
My Favorite	
Slow Cook	
PowerPlus® Temperature Probe	Yes
Keep Warm	Yes
Add-a-Minute	
Delay Start	
Self-Clean/Clean Options	Yes/2, 3, 4 Hours
Steam Clean	
Delay Clean	Yes
Kitchen Timer	Yes
Timed Cook Option	
Control Lock	
Auto Oven Shut-Off	Yes
Oven Lock-Out	Yes
Oven Features	
Capacity (Cu. Ft.)	5.1
Convection System	PowerPlus® Convection
Oven Light	2 Halogen
Hidden Bake Element	Yes
Rack Configuration	1 Glide, 1 Handle, 1 Offset Rack
Baking System	Even Baking Technology
Broiling System	PowerPlus® Broil
Bake/Broil Element (Watts)	2,200/4,000
Optional Accessories	
3"-High Bottom Trim - Stainless Steel	PN # 318259707
10'-Long Armored Power Cable	PN # 903056-9010
Certifications	
A.D.A. Compliant <sup>1</sup>	Yes
Sabbath Mode (Star-K® Certified)	Yes
Specifications	
Oven Interior (H x W x D)	18-5/8" x 24-1/8" x 19-1/2"
Power Supply Connection Location	Left Bottom Rear
Voltage Rating	240V / 208V / 60Hz
Connected Load (kW Rating) @ 240 / 208 Volts <sup>2</sup>	4.5/3.7
Amps @ 240 / 208 Volts	18.8/17.9
Minimum Circuit Required (Amps)	20
Approved for Under-Counter Installation	Yes
Shipping Weight (Approx.)	146 Lbs.

<sup>1</sup>When properly installed, this model is A.D.A.-qualified based on the United States Access Board's A.D.A./A.B.A. Accessibility Guidelines and the Department of Justice's 2010 A.D.A. Standards for Accessible Design.

<sup>2</sup>Single phase 3- or 4-wire cable, 120/240 or 120/208 Volt, 60 Hertz AC only electrical supply with ground required on separate circuit fused on both sides of line.



NOTE: For planning purposes only. Always consult local and national electric codes. Refer to Product Installation Guide for detailed installation instructions on the web at [frigidaire.com](http://frigidaire.com).



Product Dimensions	
A - Height	29"
B - Width	30"
C - Depth	24-3/4"
D - Height (Wrapper)	27-3/16"
E - Width (Wrapper)	28-1/4"
Depth with Door Open 90°	45-3/4"

Cutout Dimensions	
Height (Min.)/(Max.)	27-1/4" / 28-5/8"
Width (Min.)/(Max.)	28-1/2" / 29"
Depth (Min.)	23-1/2"

Accessories information available on the web at [frigidaire.com](http://frigidaire.com)

## FRIGIDAIRE

USA • 10200 David Taylor Drive • Charlotte, NC 28262 • 1-800-FRIGIDAIRE • [frigidaire.com](http://frigidaire.com)  
 CANADA • 5855 Terry Fox Way • Mississauga, ON L5V 3E4 • 1-800-265-8352 • [frigidaire.ca](http://frigidaire.ca)

FPEW3077R 05/15

© 2015 Electrolux Home Products, Inc.

Specifications subject to change.