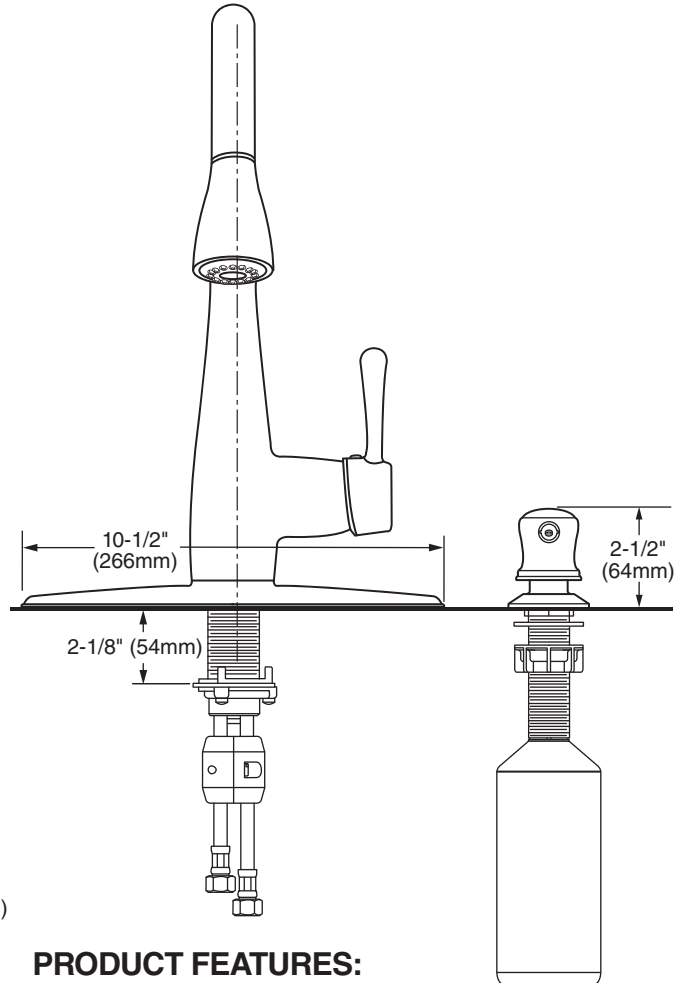
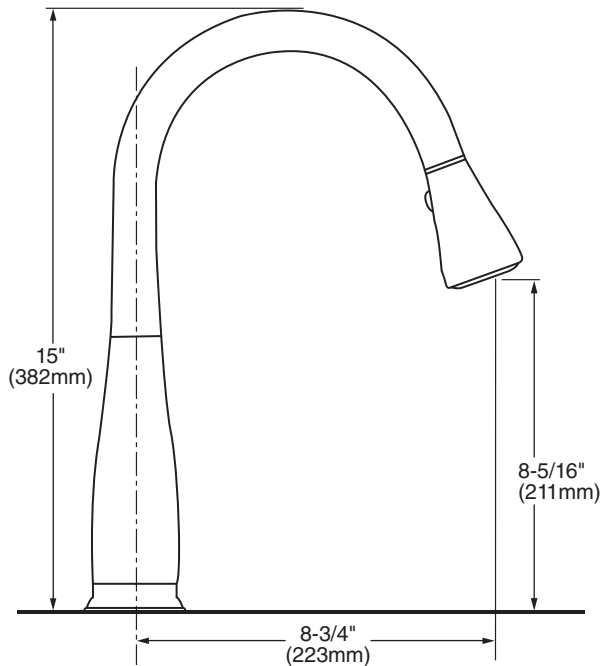




**MODEL NUMBER:**

- 9092.301.002 Kitchen Faucet with Pull-Down Spray**  
Soap dispenser. Polished Chrome finish. SKU# 352672.
- 9092.301.075 Kitchen Faucet with Pull-Down Spray**  
Soap dispenser. Stainless Steel (PVD) finish. SKU# 352673.



**GENERAL DESCRIPTION:**

Zinc diecast body with brass swivel spout and metal lever handle. Pull-down spray with adjustable spray pattern and push button activation. Metal reinforced hose. Washerless 40mm ceramic disc valve cartridge. Complete with two integral check valves. Braided flexible supply hoses with 3/8" compression connectors. 2.2 gpm/8.3Lmin. maximum flow rate.

**PRODUCT FEATURES:**

- Ceramic Disc Valve Cartridge:** Assures smooth, precise valve control and a lifetime of drip-free, maintenance-free performance.
- Brass Construction:** Highest quality materials for durability and long life.
- Memory Position Valving:** Allows user to turn valve on and off at preferred temperature setting without readjusting handle position each time.
- Lead Free:** Faucet contains ≤ 0.25% total lead content by weighted average.
- Pull-down Spray:** Adjustable spray pattern-stream to spray.
- Integral Check Valves:** Prevents back flow.
- Choice of Finishes:** Choice of Polished Chrome or Stainless Steel (PVD).

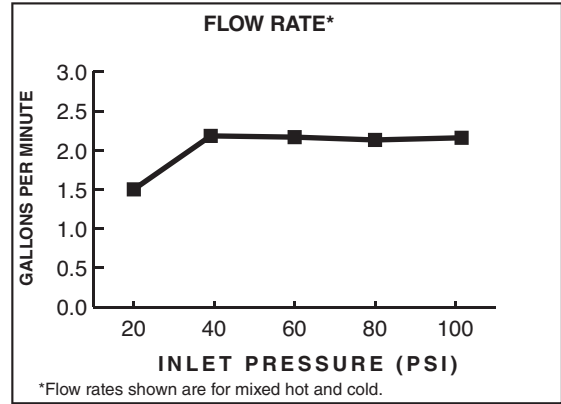
**SUGGESTED SPECIFICATION:**

Single control kitchen faucet shall feature a zinc diecast body with pull-down spray. Shall also feature washerless ceramic disc valve cartridge, flexible supply hoses and two integral check valves. Fitting shall be American Standard Model # 9092.301.002, SKU# 352672. Model # 9092.301.075, SKU# 352673.


**CODES AND STANDARDS**

These products meet or exceed the following codes and standards:

- ANSI A117.1**
- ASME A112.18.1**
- NSF 61/Section 9**
- CSA B125**



Product Number	Description
9092.301.002	Kitchen Faucet with Pull-Down Spray. Soap Dispenser. Polished Chrome finish. SKU# 352672.
9092.301.075	Pull-down Kitchen Faucet. Soap Dispenser. Stainless Steel (PVD) finish. SKU# 352673.

 Meets the American Disabilities Act Guidelines and **ANSI A117.1** Requirements for the physically challenged.