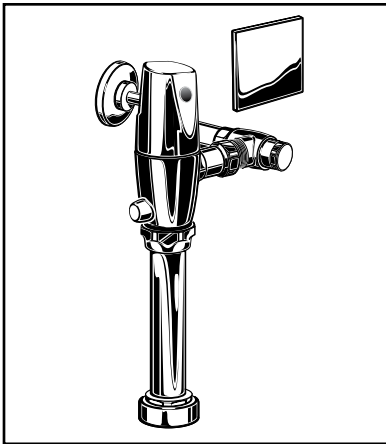




SELECTRONIC® SENSOR-OPERATED TOILET FLUSH VALVE, 1.28 GPF HARD-WIRED AC POWERED



GENERAL DESCRIPTION:

Exposed, sensor-operated Selectronic® Toilet Flush Valve for floor-mounted or wall-hung 1-1/2" top spud bowls, 1.28 gpf. Hard-Wired AC powered.

Inlet includes 1" sweat solder kit and angle stop with back flow protection and vandal-resistant cap.

Outlet includes 1-1/2" high back pressure vacuum breaker with spud coupling and flange.

PRODUCT FEATURES:

- **Universal Input Voltage:** 100-240 VAC, 50/60 Hz
- **Optional Chrome Cover Plate:** Only required if AC transformer must be installed from the front
- **Self-Cleaning Piston** with integral wiper spring significantly reduces clogging and maintenance
- **Selectronic® Proximity System** with universal sensor provides hygienic, "hands free" operation
- **State-of-the-Art Electronics** prevent ghost flushing
- **Dezincification Resistant** semi-red brass alloy
- **Fully Mechanical Manual Override Button** can flush the valve without power
- **Fail-Safe:** Valve automatically closes upon loss of power or water pressure and does not need to be reset
- **Adjustable Sanitary Flush** cleans the fixture & maintains the trap seal.
- **Stadium Feature:** Valve automatically switches to water savings mode during periods of heavy usage
- **Chemical Resistant EPDM Seals** for extended life
- **High Back Pressure Vacuum Breaker**
- **Adjustable Tailpiece**
- **Range can be adjusted manually or with optional remote control**
- **No external volume adjustment.**
- **Can be installed left or right handed**

MODEL NUMBER:

6067.121.002 HARD-WIRED AC POWERED:

Includes Class 2 UL certified universal hard-wired AC transformer (electrical box by others).

6068.121.002 MULTI-AC POWERED:

Includes 10' extension cable and Y-connector. One transformer can power up to 15 faucets and/or flush valves in a daisy chain configuration
TRANSFORMER NOT INCLUDED.

OPERATING PRESSURE:

Overall Range: 20-125 psi**

Recommended: 25 psi (flowing)-80 psi (static)

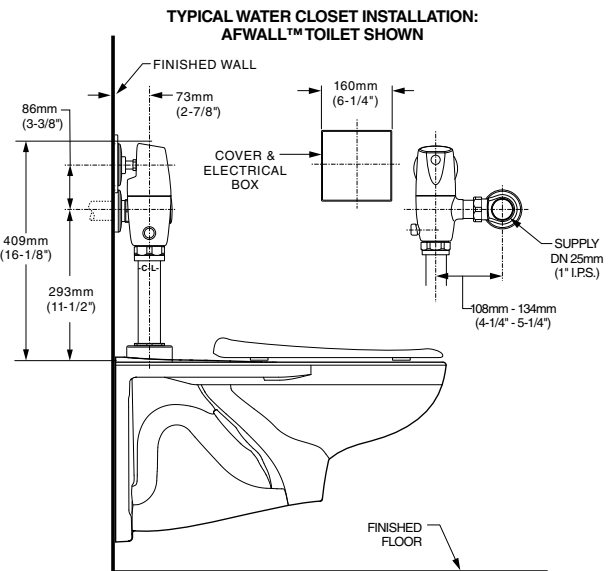
** Water pressure over 80 psi is not recommended for most plumbing fixtures.

FLOW REQUIREMENT:

25gpm (94.6 L/min.)

ACCESSORIES:

- Cast wall flanges: 1" (6065.810) & 1-1/2" (6065.815)
- Solid ring pipe supports: 2-1/2" C-E (6065.821) & 6" C-E (6065.861)
- Split ring pipe supports: 2-1/2" C-E (6065.822) & 6" C-E (6065.862)



MEETS THE AMERICANS WITH DISABILITIES ACT GUIDELINES AND ANSI A117.1 REQUIREMENTS FOR ACCESSIBLE AND USABLE BUILDING FACILITIES-CHECK LOCAL CODES

RECOMMENDED SPECIFICATION:

Electronic, sensor activated toilet flush valve shall feature self-cleaning piston valve with integral wiper spring in refill orifice to prevent clogging. Powered by Class 2 UL certified hard-wired AC transformer with universal input voltage of 100 - 240 VAC, 50/60 HZ. Includes a fully mechanical manual override that can flush the valve without power. Includes semi-red brass valve body and metal cover with chrome finish. Includes angle stop with back-flow protection & vandal-resistant cap. Sweat solder kit and high back pressure vacuum breaker also included. 1.28 gpf / 4.8 Lpf flush valve shall be American Standard Model # 606_.121.002.

LISTINGS:

- ASSE 1037
- ANSI/ASME A112.19.2
- ADA Compliant

CAUTION: Use only American Standard supplied transformers and cable sets. Using non-AS supplied cables, or cutting, splicing or modifying any components will void the warranty.

Roughing-in Dimensions

