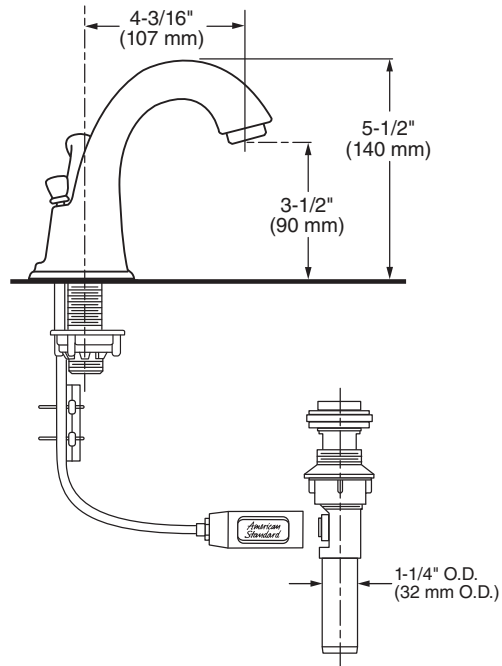
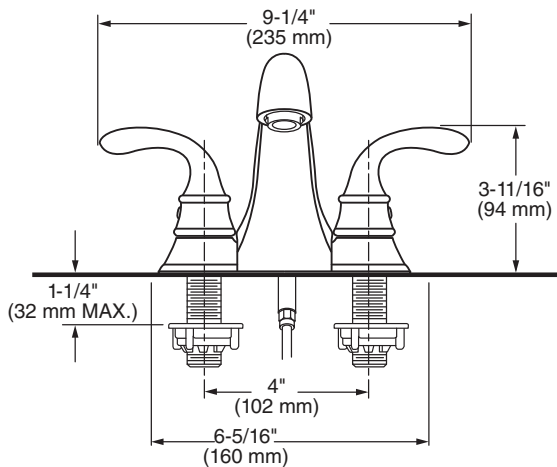


MODEL NUMBER:

- **9204.211.002 Centerset Lavatory Faucet**
Speed Connect® pre-assembled drain.
Lever handles. Polished Chrome finish.
SKU# 749786.



GENERAL DESCRIPTION:

Centerset lavatory faucet on 4" centers. 1/4 turn washerless ceramic disc valve cartridges. Durable cast brass waterways with one-half inch male inlet shanks. Metal body. Color matched underbody. Metal lever handles. 20" (500mm) long flexible stainless steel drain cable is pre-assembled to faucet body. Speed Connect® pre-assembled drain body with 1-1/4 inch (32 mm) tail piece. 1.2 gpm/5.6L/min. maximum flow rate.

PRODUCT FEATURES:

Speed Connect® Drain:

- 1/3 the parts, installs in 1/3 the time.
- No tools or plumbers putty required for installation.
- No adjustments required - seals the first time, every time.
- Flexible stainless steel cable - installs effortlessly in tight spaces.

Simple Installation: Fast and easy one person installation. Faucet drops in from top. Speed Connect® nuts push up and hand-turn to tighten.

Cast Brass Waterways with "City Shanks": Strong and durable. Integral tabs on casting provide a wobble-free installation.

Ceramic Disc Valve Cartridges: Assures a lifetime of drip-free performance.

Lead Free: Faucet contains ≤ 0.25% total lead content by weighted average.

Longer Spout: Provides extended reach into lavatory.

SUGGESTED SPECIFICATION

Two-handle 4" centerset lavatory faucet shall feature a cast brass waterway. Shall also feature 1/4 turn washerless ceramic disc valve cartridges. Shall also feature a drain body with stainless steel cable actuation. Fitting shall be American Standard Model # 9204.211.002, SKU# 749786.

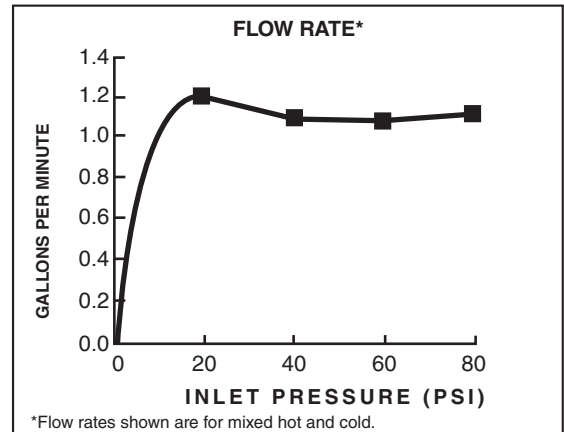


HARRISON™ TWO-HANDLE LAVATORY FAUCET


CODES AND STANDARDS

These products meet or exceed the following codes and standards:

- ANSI A117.1
- ASME A112.18.1
- CSA B125
- NSF 61/Section 9
- NSF 372



Product Number	Description
9204.211.002	Centerset lavatory. Speed Connect® pre-assembled drain and Speed Connect® nuts. Polished Chrome finish. SKU# 749786.

 Meets the American Disabilities Act Guidelines
ANSI A117.1 Requirements for the physically challenged.