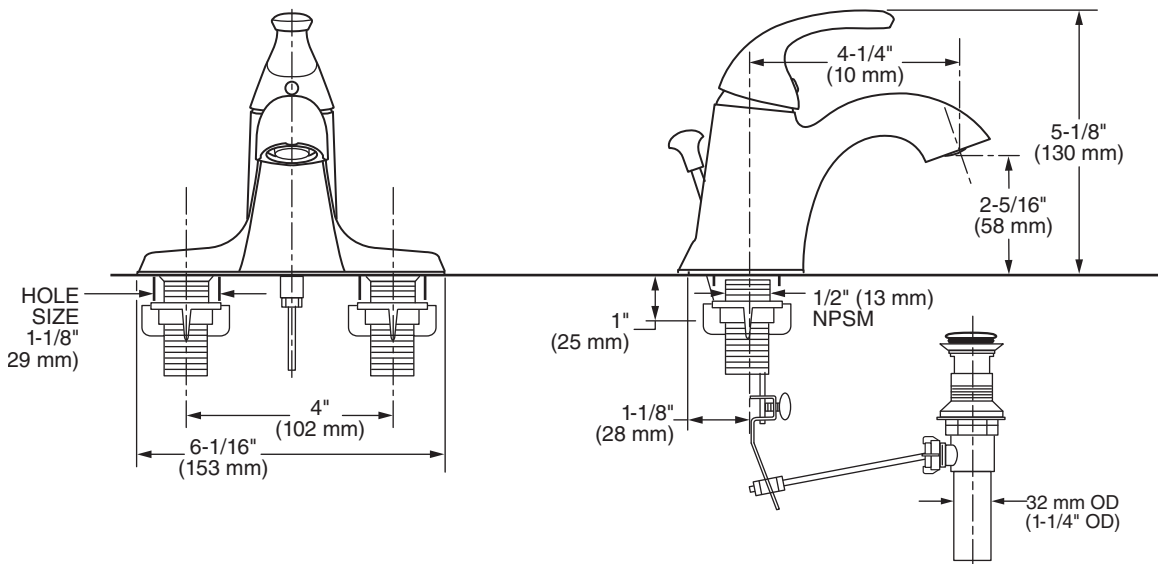




MODEL NUMBER:

- **9090.120.002 Centerset Lavatory Faucet**
Pop-up drain. Metal lever handles. Polished Chrome finish. SKU #749768.

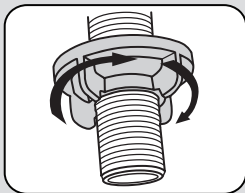


GENERAL DESCRIPTION:

Centerset lavatory faucet on 4" centers. Washerless ceramic disc valve cartridge. Flex inlet supplies with 3/8" compression thread. Durable waterway with male inlet shanks. Metal body. Metal lever handle. Pop-up drain body with 1-1/4 inch (32mm) tail piece. 1.2 gpm/5.7L/min. maximum flow rate.

PRODUCT FEATURES:

- Simple Installation:** Fast and easy one person installation. Faucet drops in from top. Quick Spin™ Nuts hand tighten.
- Ceramic Disc Valve Cartridge:** Assures a lifetime of drip-free performance.
- Lead Free:** Faucet contains ≤ 0.25% total lead content by weighted average.
- Longer Spout:** Provides extended reach into lavatory.



- Quick Spin™ Nuts:**
- Hand tighten
 - No tools required

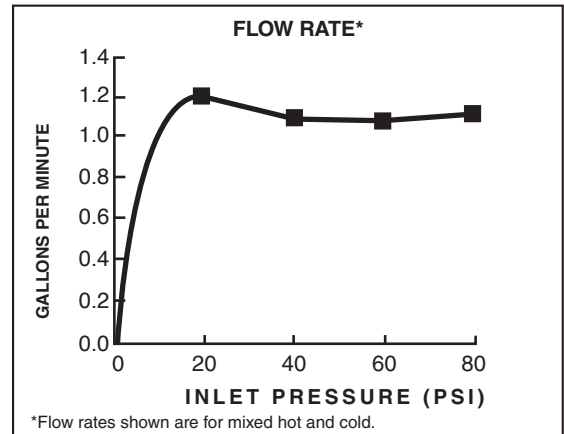
SUGGESTED SPECIFICATION

Single control lavatory fitting shall feature a durable waterway with flexible inlet hoses and 1/2" male inlet shanks. Shall also feature washerless ceramic disc valve cartridge. Shall also feature a pop-up drain. Fitting shall be American Standard Model #9090.120.002, SKU #749768.


CODES AND STANDARDS

These products meet or exceed the following codes and standards:

- ANSI A117.1**
- ASME A112.18.1**
- CSA B 125.1**
- NSF 61/Section 9**
- NSF 372**



Product Number	Description
9090.120.002	Centerset lavatory. Metal lever handle. Pop-up drain. Quick Spin™ Nuts. Polished Chrome finish. SKU #749768.

 Meets the American Disabilities Act Guidelines **ANSI A117.1** Requirements for the physically challenged.