



6403.171 Shown

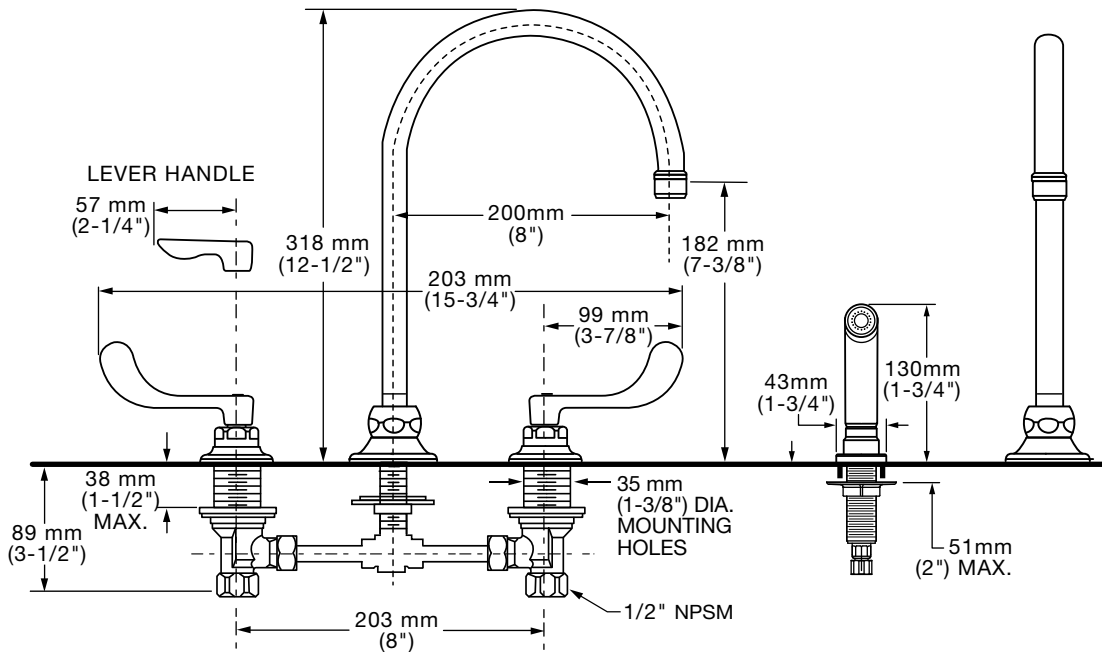
MODEL NUMBER:

❑ **6403.171 Bottom Mount Faucet with 8" Gooseneck Spout**

Field-convertible rigid / swivel gooseneck spout with 8" reach. Vandal-resistant metal wrist blade handles with red/blue indexes. 1.5 gpm pressure compensating aerator. Color matched spray.

❑ **6403.170 Bottom Mount Faucet with 8" Gooseneck Spout**

Same as above, less spray



GENERAL DESCRIPTION:

Durable cast brass construction. Field-convertible rigid-swivel gooseneck spout. 1/4 turn ceramic disc valve cartridges. 1/2" male threaded inlet shanks with brass shank nuts and coupling nuts. Vandal-resistant wrist blade handles with blue & red color indexes. 1.5 gpm/5.7 L/min. maximum flow rate.

PRODUCT FEATURES:

Ceramic Disc Valve Cartridges: Assure a lifetime of drip-free performance.

Pressure Compensating Aerator: Provides a constant water flow of 1.5 gpm throughout the pressure range.

Field-Convertible Rigid / Swivel Gooseneck Spout: Easily converted in the field.

Solid Brass Construction: Durable. Excellent in high use applications. Ideal for prolonged contact with water.

Lead Free: Faucet contains ≤ 0.25% total lead content by weighted average.

SUGGESTED SPECIFICATION

Two-handle bottom-mount kitchen faucet shall feature cast brass construction with brass coupling nuts. Shall feature field-convertible rigid/swivel brass gooseneck spout with 8" reach. Shall also feature 1/4 turn washerless ceramic disc valve cartridges. Fitting shall be American Standard Model #6403.17_.002.

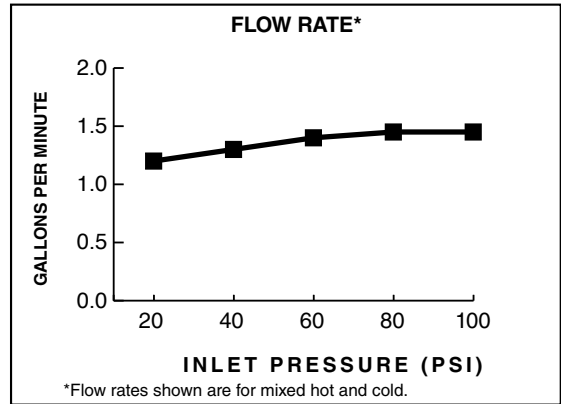


MONTERREY®
TWO-HANDLE BOTTOM-MOUNT KITCHEN FAUCET
 RIGID/SWIVEL GOOSENECK SPOUT WITH 8" REACH

CODES AND STANDARDS

These products meet or exceed the following codes and standards:

- ASME A112.18.1**
- CSA B125.1**
- NSF 372**
- CALGreen**



Product Number	Description	Finish
		Polished Chrome
		002
6403.171	Bottom mount faucet with field-convertible 8" rigid / swivel gooseneck spout. VR wrist blade handles. 1.5 gpm PCA aerator. With color matched spray.	
6403.170	Bottom mount faucet with field-convertible 8" rigid / swivel gooseneck spout. VR wrist blade handles 1.5 gpm PCA aerator. Less spray.	

Meets the American Disabilities Act Guidelines and **ANSI A117.1** Requirements for accessible and usable building facilities - check local codes

Other Aerators Available:	
Part Suffix	Description
LV15	1.5 gpm (5.7 Lpm) Vandal-Resistant PCA Non-Aerated Laminar Flow Outlet
V15	1.5 gpm (5.7 Lpm) Vandal-Resistant PCA Aerator
LV10	1.0 gpm (3.8 Lpm) Vandal-Resistant PCA Non-Aerated Laminar Flow Outlet
V10	1.0 gpm (3.8 Lpm) Vandal-Resistant PCA Aerator
V05	0.5 gpm (1.9 Lpm) Vandal-Resistant PCA Multi-Laminar Spray
V035	0.35 gpm (1.3 Lpm) Vandal-Resistant PCA Multi-Laminar Spray

PCA - Pressure Compensating