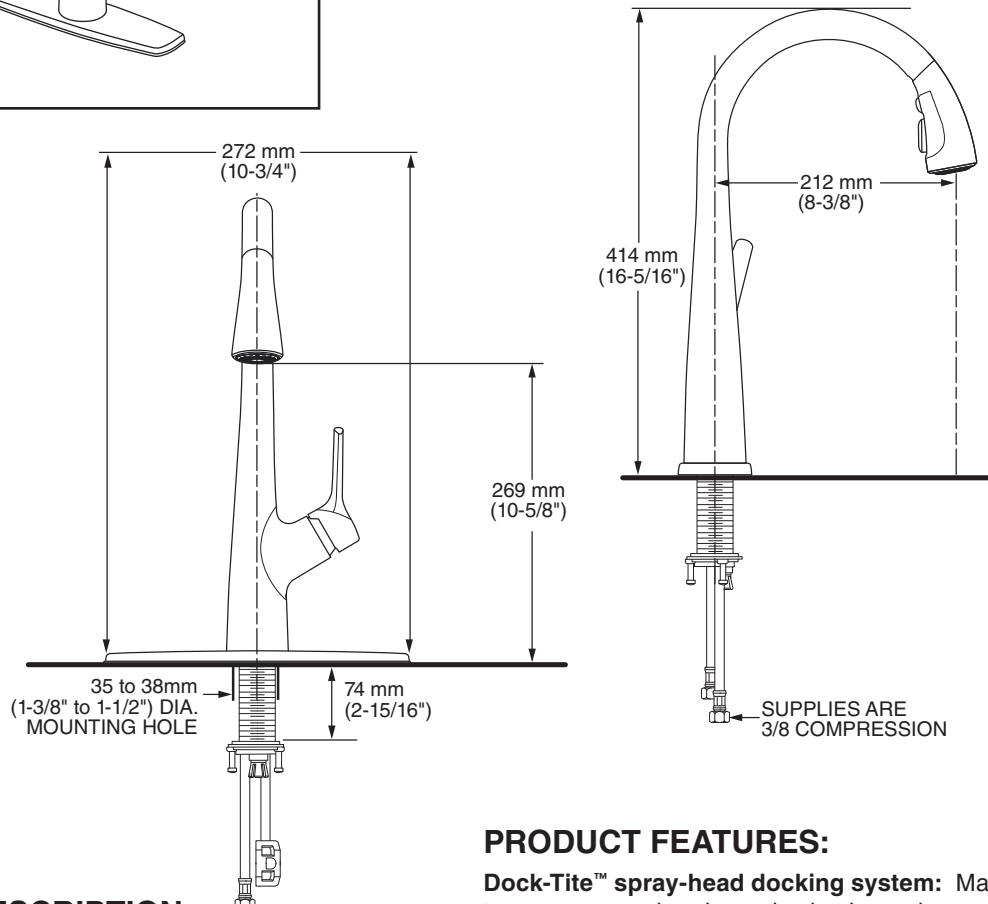




MODEL NUMBER:

☐ 9129.301 Pull-Down Kitchen Faucet



GENERAL DESCRIPTION:

Single control kitchen faucet featuring brass swivel spout and three function spray head including pause feature. 35 mm ceramic disc valve cartridge, metal body and ADA metal lever handle. Includes integrated color coded braided stainless steel supply hoses with 3/8" compression connections. Durable braided nylon spray hose is complete with two integral check valves. Maximum flow rate is 1.8 gpm / 6.8 L/ min. Metal mounting shank with brass fixation ring. Fitting can be mounted with or without included escutcheon plate and soap dispenser.

PRODUCT FEATURES:

Dock-Tite™ spray-head docking system: Magnetic technology to ensure spray head remains in place when not in use.

Re-Trax™ spray head retraction system: Spray hose technology system to ensure smooth pull-out, operation and retraction of spray head.

Ceramic Disc Valve Cartridge: Precise temperature and flow control with a lifetime of drip-free, maintenance-free performance.

Lead Free: Faucet contains ≤ 0.25% total lead content by weighted average.

Integral Check Valves: Prevents back flow.

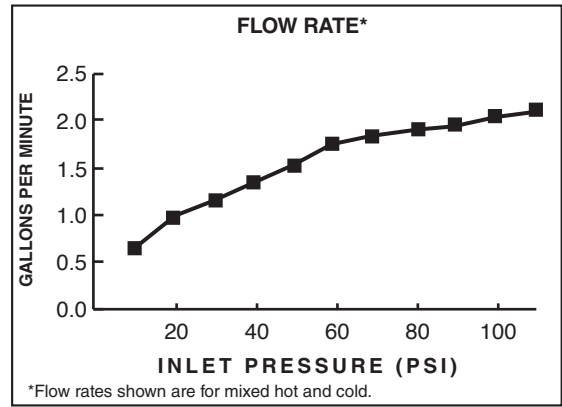
SUGGESTED SPECIFICATION:

Single control kitchen pull-down faucet shall feature a high arc brass swivel spout and metal lever handle. Shall also feature 35 mm washerless ceramic disc valve cartridge and flexible Stainless Steel supply hoses. Faucet shall be American Standard Model # 9129.301.

CODES AND STANDARDS


These products meet or exceed the following codes and standards:

- ANSI A117.1**
- ASME A112.18.1**
- CSA B125.1**
- NSF 61/Section 9**
- NSF 372**



1.8 gpm/6.8 L/min. FLOW RATE

Product Number	Description	Finish Options	
		Polished Chrome	PVD Stainless Steel
		002	075
9129.301	Kerris Pull-Down Kitchen Faucet		

 Meets the American Disabilities Act Guidelines and **ANSI A117.1** Requirements for the physically challenged.