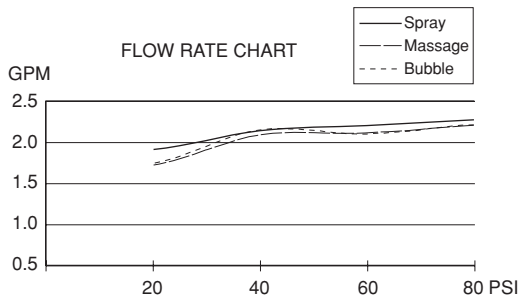


THREE FUNCTION PERSONAL SHOWER KIT

Description

- Mount to your showerhead
- 3 functions: regular, massage and aerated drench
- Includes 72" hose, wall bracket, diverter, and swivel

Flow & Valving



D464608

Available Colors & Finish

- Chrome
- Brushed Nickel (BN)
- Oil Rub Bronze (RB)

Flow Rate

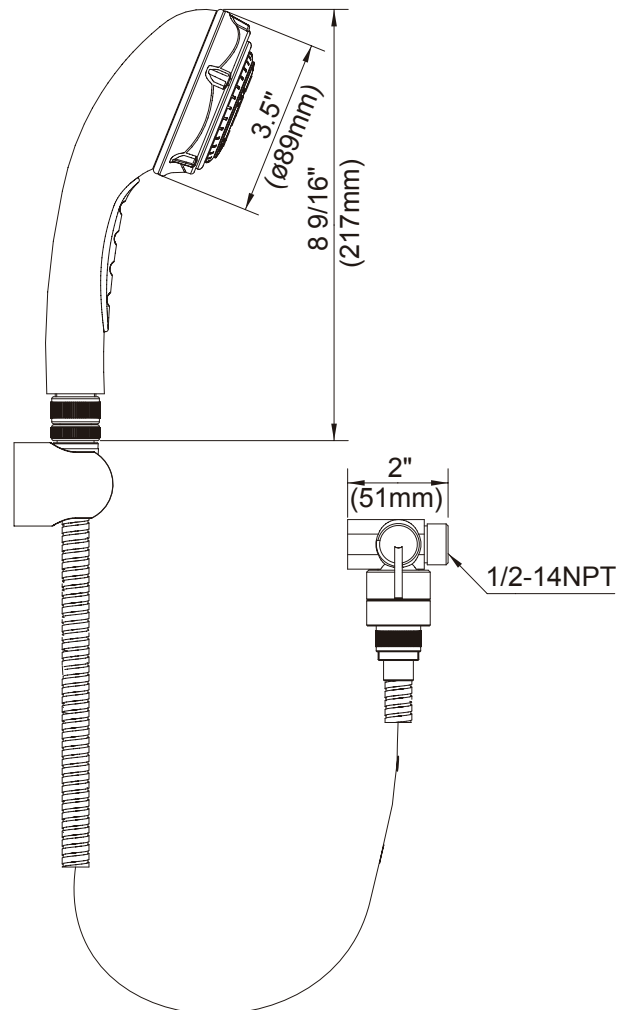
- Conforms to Energy Policy Act of 1992 - maximum flow rate at 80psi of 2.5gpm.

Standards

- Listed IAPMO/UPC
- CSA B125
- Energy policy act of 1992

Warranty

Danze products are covered by a manufacturer's limited "lifetime" warranty for manufacturing defects.



Specific Features: _____ Submitted Model No.: _____

SD464608/04-07.02