

2 PIECE HIGH EFFICIENCY TOILET

Model

DC013330 (2 Piece High Efficiency Toilet Bowl)
DC012323 (2 Piece High Efficiency Toilet Tank)

Description

- 3" flush valve technology with Fluidmaster® pilot valve
- Elongated bowl with 12" rough-in
- 16 3/4" rim height
- Fully glazed trapway
- Water consumption rating: 1.28 gpf (4.8 Lpf)
- Accessories included: soft-close seat, matching color bolt caps (for Model # DC013330) and angle mounted brass tank lever in Brushed Nickel finish (for Model # DC012323)



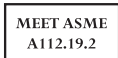
Orrington® Collection



Available Colors

- White (WH)
- Biscuit (BC)

Standards



Warranty

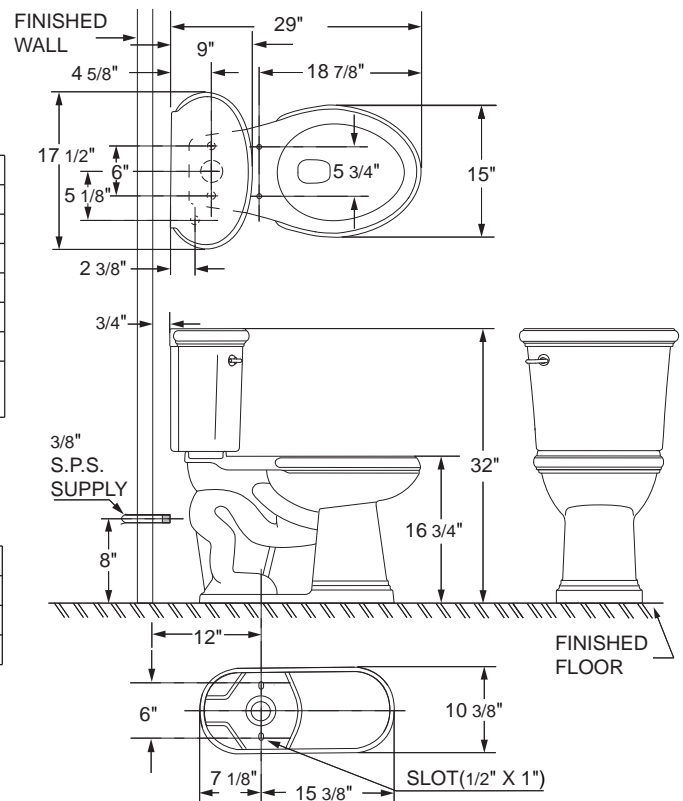
Five Year Limited Warranty (Vitreous China)

Technical Information

Fixture:	
Configuration	two-piece, elongated
Water per flush	1.28 gpf / 4.8 Lpf
Trapway	2 1/8" (5.4 cm)
Water depth from rim	5 1/2" (14 cm)
Water area	7 1/4" (18.5 cm) x 9 1/2" (24.2 cm)
Seat post hole centers	5 1/2" (14 cm)
Operating static pressure range	20 to 80 psi

Optional Accessories

Model	Description	Finish
D497661	Orrington® angle mount tank lever	Chrome
D497661BN	Orrington® angle mount tank lever	Brushed Nickel
D497661RB	Orrington® angle mount tank lever	Oil Rub Bronze



IMPORTANT: Dimensions of fixtures are nominal and may vary within the range of tolerance established by ASME Standard A112.19.2. These measurements are subject to change or cancellation. No responsibility is assumed for use of superseded or voided pages.