

### SINK DESCRIPTION

- Manufactured of 18 gauge stainless steel
- The bowls are a minimum of 14" x 16" x 11"
- The sink ledge has four fixture mounting holes, 1-1/2" in diameter and 4" on center
- Has two 3-1/2" diameter recessed drain opening
- Soundshield undercoating maximizes sound deadening and inhibits condensation
- Made in USA
- Includes all necessary mounting hardware

### CUT OUT DIMENSIONS

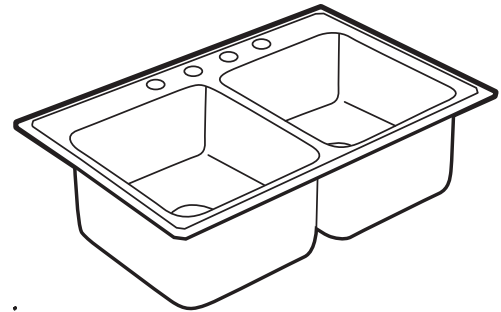
- Cut out dimensions are 32-3/8" x 21-3/8", with a 3/8" corner radius. A tolerance of plus or minus 1/16" is acceptable

### STANDARDS

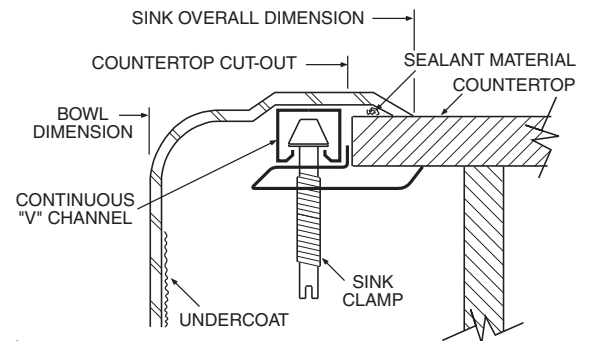
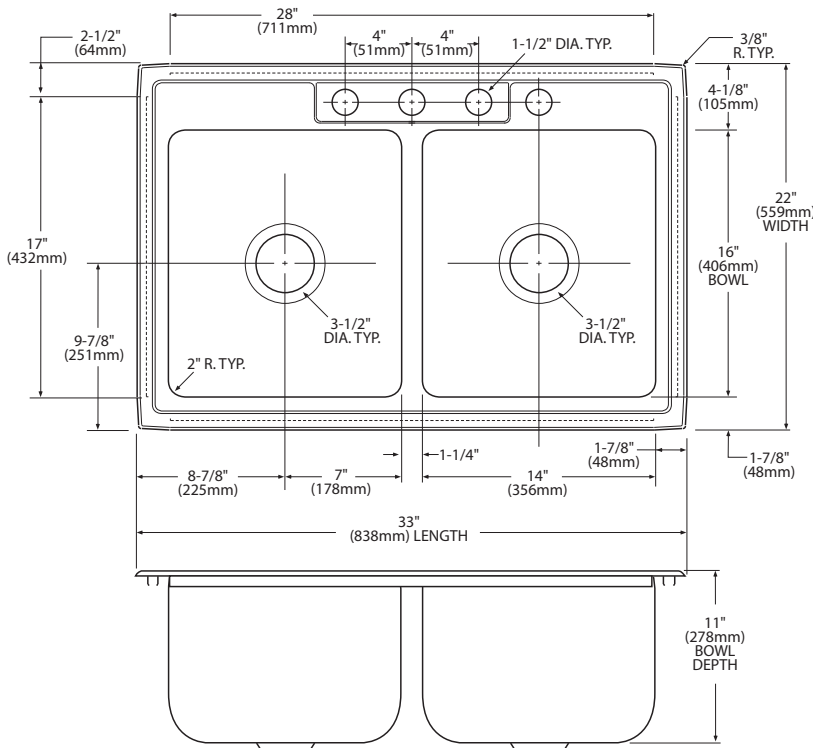
- Third party certified to ASME A12.19.3M/CSA B45.4 and all applicable specifications referenced therein

### WARRANTY

- Warranted for two years against material or manufacturing defects



**Double Bowl Kitchen Sink**  
**Model: 22121**  
**(HDED-3322-4)**



**Installation Detail**

## CRITICAL DIMENSIONS

(DO NOT SCALE)