

SINK DESCRIPTION

- Manufactured of 20 gauge stainless steel
- Single bowl is 14" x 16" x 7"
- The sink ledge has two fixture mounting holes, 1-1/2" in diameter located on each end of the sink
- Has one 3-1/2" diameter recessed drain opening
- Soundshield undercoating maximizes sound deadening and inhibits condensation
- Made in USA
- Includes all necessary mounting hardware

CUT OUT DIMENSIONS

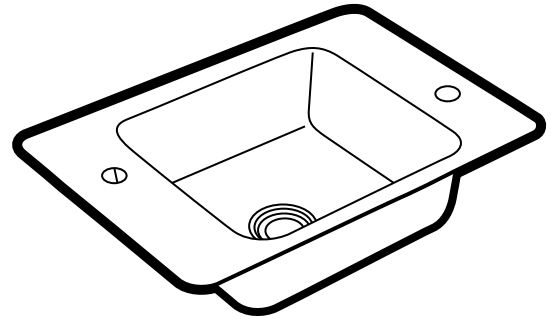
- Cut out dimensions are 23-3/8" x 16-3/8", with a 3/4" corner radius. A tolerance of plus or minus 1/16" is acceptable

STANDARDS

- Third party certified to ASME A112.19.3M/CSA B45.4 and all applicable specifications referenced therein

WARRANTY

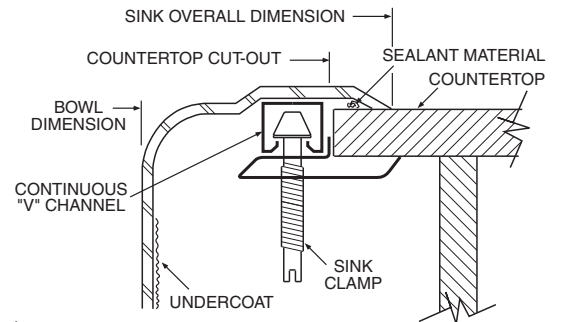
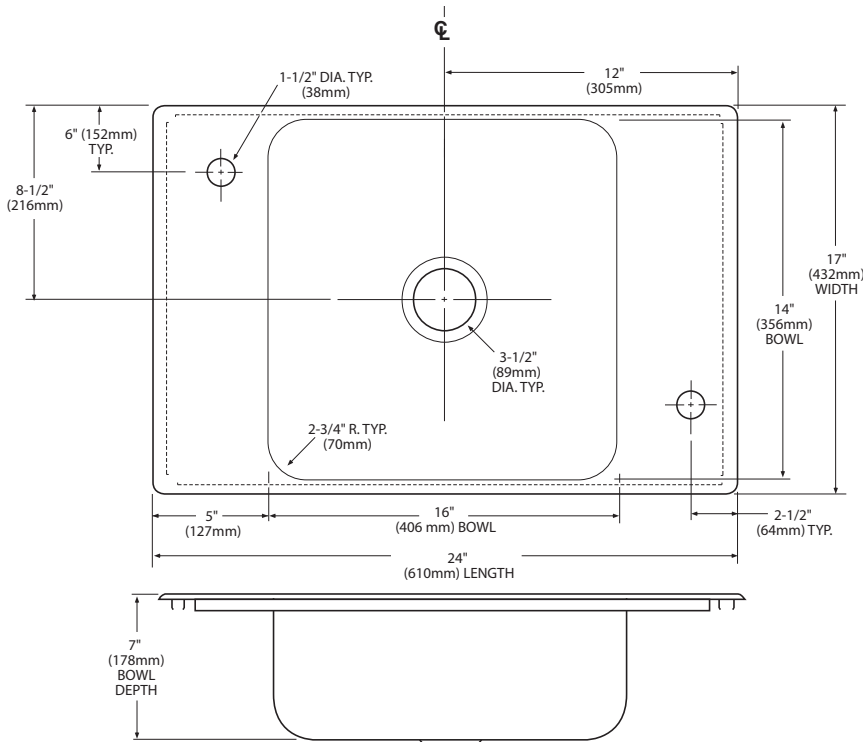
- Warranted for five years against material or manufacturing defects



Single Bowl Classroom Sink

Model: 22128

(C2417)



Installation Detail

CRITICAL DIMENSIONS

(DO NOT SCALE)