

## SINK DESCRIPTION

- Manufactured of 20 gauge, nickel-bearing stainless steel
- Single bowl is 14" x 16" x 5-1/2"
- The sink ledge has two fixture mounting holes, 1-1/2" in diameter located on each end of the sink
- Has one 3-1/2" diameter recessed drain opening
- Soundshield undercoating maximizes sound deadening and inhibits condensation
- The exposed surfaces are polished to a lustrous satin tone finish
- Includes all necessary mounting hardware

## CUT OUT DIMENSIONS

- Cut out dimensions are 23-1/2" x 16-1/2", with a 3/4" corner radius. A tolerance of plus or minus 1/16" is acceptable

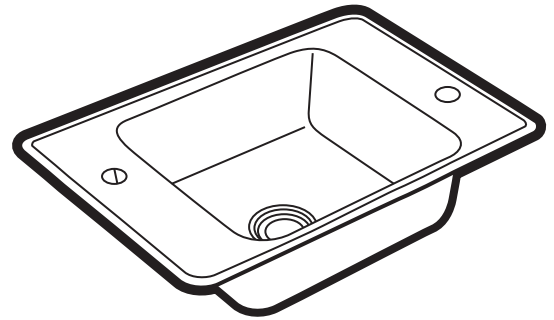
## STANDARDS

- Third party certified to meet ASME A112.18.1/CSA B-125.1 and all applicable specifications referenced therein
- Certified to NSF 61/9
- Complies with California Proposition 65 and with the Federal Safe Drinking Water Act

- **ADA**  for lever handles

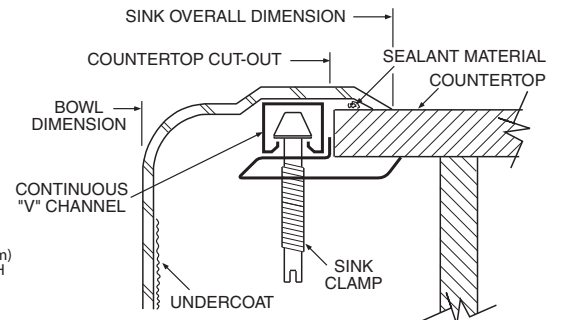
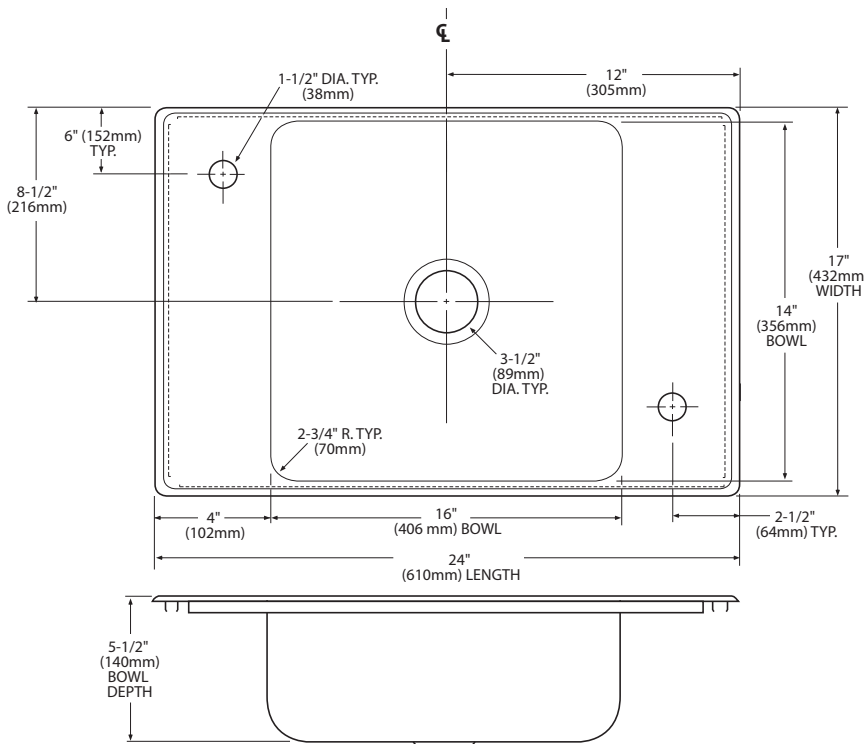
## WARRANTY

- Warranted for five years against material or manufacturing defects



**Single Bowl Classroom Sink  
Model: 22132**

(C2417)



**Installation Detail**

## CRITICAL DIMENSIONS

(DO NOT SCALE)