

DESCRIPTION

- Metal construction with chrome plated or wrought iron finishes or LifeShine® polished brass, brushed nickel finishes
- Includes adjustable showerhead, arm and flange

OPERATION

- Handle operates counterclockwise through a 270° arc with off at 6 o'clock and maximum hot at the 9 o'clock position. Shut off in clockwise direction
- Adjustable temperature limit stop to control maximum hot water temperature
- Pressure balancing mechanism maintains selected discharge temperature to ± 2°

FLOW

- Showerhead is limited to 2.5 gpm (9.5 L/min)

CARTRIDGE

- 1222 cartridge design
- Nonmetallic/nonferrous and stainless steel materials
- Accommodates back to back installations

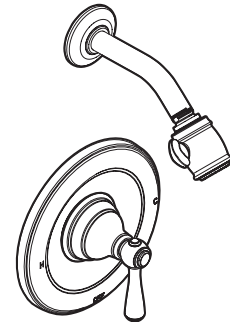
STANDARDS

- Third party certified by CSA to meet CSA B-125, ASME A112.18.1M and all applicable requirements referenced therein and complies with the applicable requirements of ANSI A117.1

WARRANTY

- Lifetime limited warranty against leaks, drips and finish defects to the original consumer purchaser
- 5 year warranty if used in commercial installations

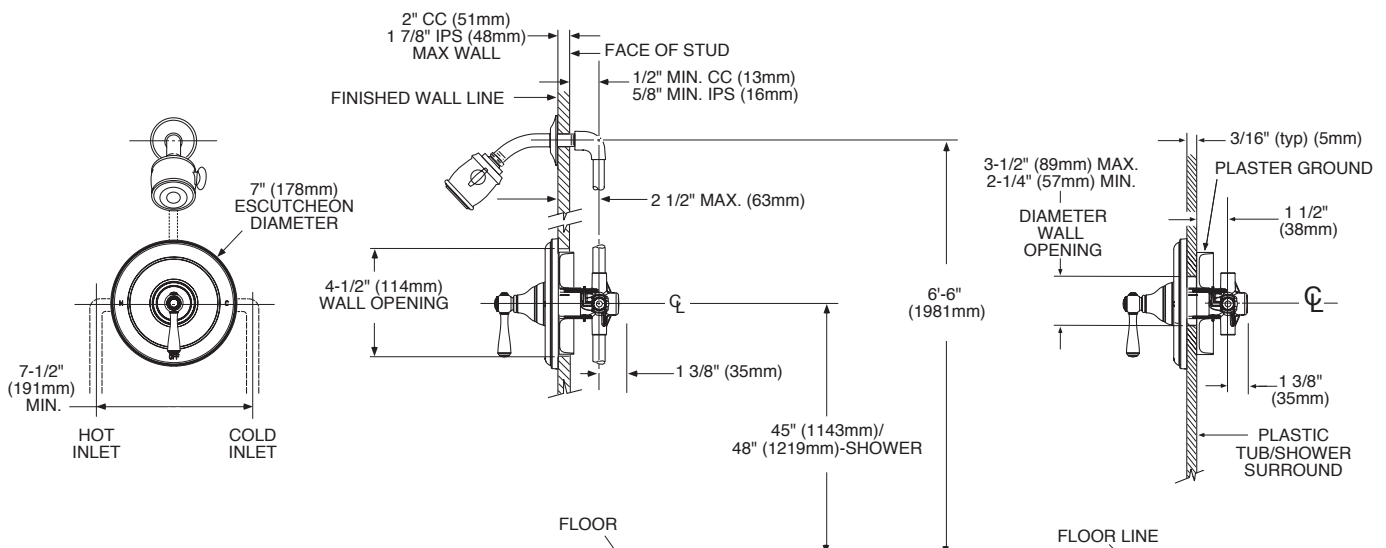
ADA



KINGSLEY™ POSI-TEMP® Single-Handle Tub/Shower (Trim Only)

Models: T2112, T2112CP,
T2112BN, T2112P, T2112WR

NOTE: See reverse side for illustrated parts and optional handle inserts



THICK WALL APPLICATION

THIN WALL APPLICATION

CRITICAL DIMENSIONS

(DO NOT SCALE)



ADA symbol applies to shower valve control only.