



Buy it for looks. Buy it for life.®

Specifications

DESCRIPTION

- Metal spray face and shell
- Brass swivel ball assembly
- Available in various finishes identified by suffix

OPERATION

- Self pressurizing design that provides strong performance regardless of line pressure
- Two function, rain and rinse: operate lever to select

FLOW

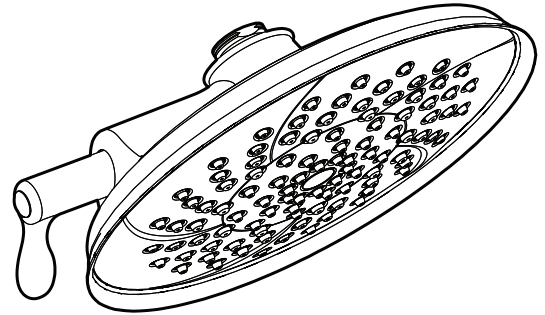
- 2.5 gpm max. (9.5 L/min) max

STANDARDS

- Third party certified to CSA B125, ASME A112.18.1, and all applicable requirements referenced therein

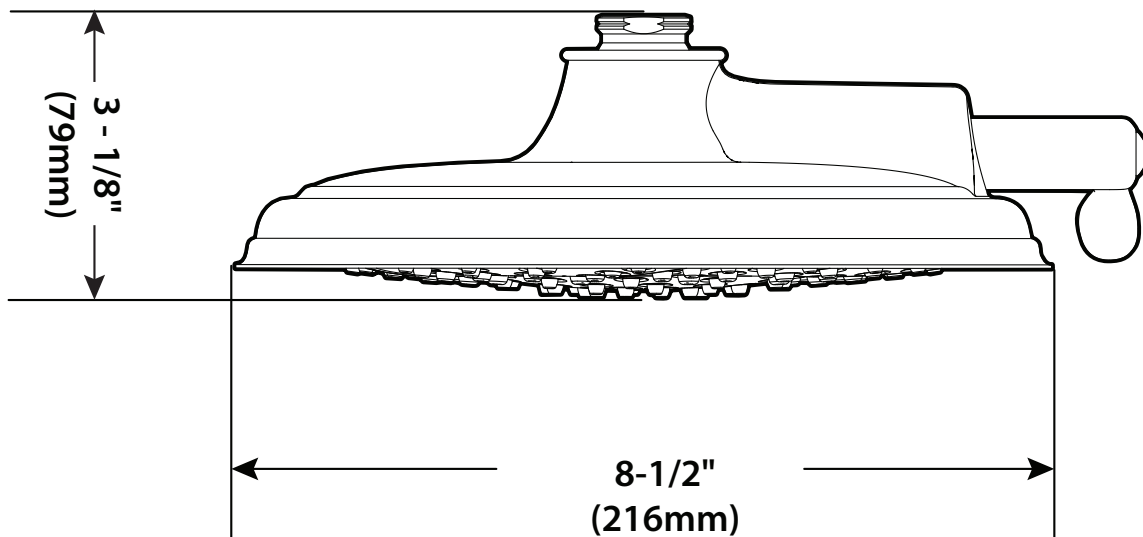
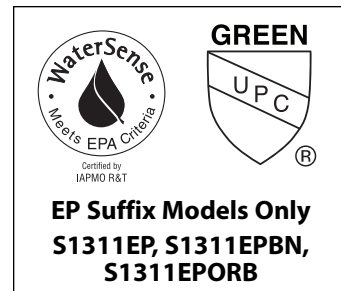
WARRANTY

- Lifetime limited warranty against leaks, drips and finish defects to the original consumer purchaser
- 5 year warranty if used in commercial installations



9" Two Function Rainshower (Showerhead Only)

Models: S1311 series



CRITICAL DIMENSIONS

(DO NOT SCALE)

FOR MORE INFORMATION CALL: 1-800-BUY-MOEN

www.moen.com