

DESCRIPTION

- Brass construction with chrome plated finish
- 1/2" IPS connections
- 8" centers
- Vandal resistant torx head screws

OPERATION

- Wrist blade style handles with hot and cold color indicators


FLOW

- Optional kit included with faucet - 2.0 gpm plain end laminar outlet with flow control device in spout

CARTRIDGE

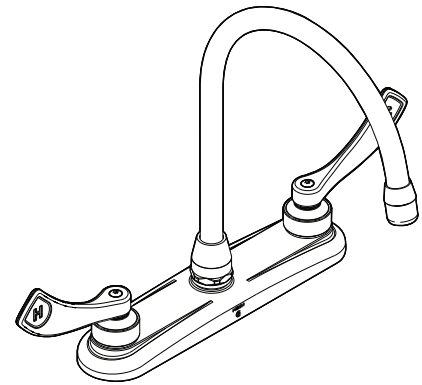
- Brass shell, ceramic disc cartridge
- 1/4 turn operation

STANDARDS

- Third party certified to ASME A112.18.1/CSA B125.1 and all applicable specifications referenced therein
- Certified to NSF 61/9
- Contains no more than 0.25% weighted average lead content
- Complies with California Proposition 65 and with the Federal Safe Drinking Water Act
- **ADA**  for lever handles

WARRANTY

- Warranted for 5 years against material or manufacturing defects

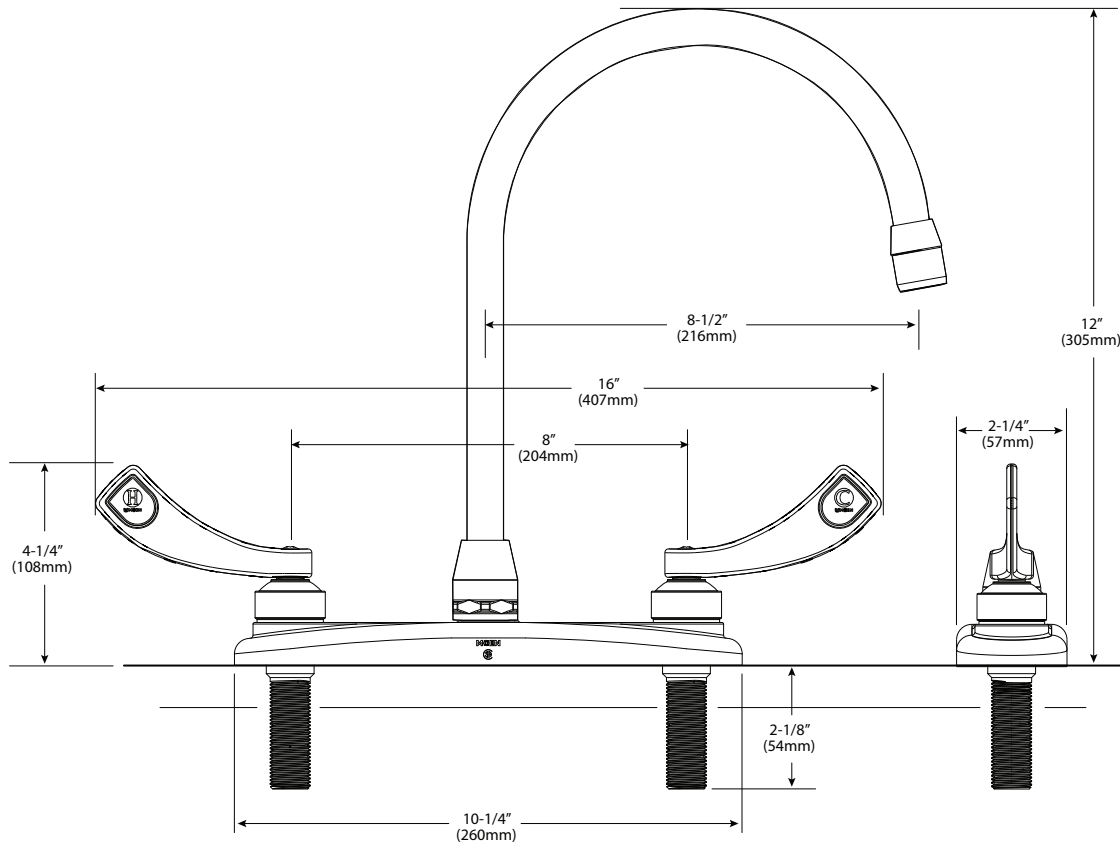


Two-Handle Kitchen Faucet

Model: 8289



NOTE: Designed to be installed through 2 or 3 holes - 1" min. dia. and on 8" on center



CRITICAL DIMENSIONS

(DO NOT SCALE)