



Buy it for looks. Buy it for life.®

Specifications

DESCRIPTION

- Metal construction with various finishes identified by suffix
- 1/2" IPS connections will accept standard ball nose connection for 3/8" tubing
- Hydrolock™ quick connect installation
- Includes metal pop-up waste assembly
- Designed to be installed through 3, 1-1/8" dia. holes, 8 - 16" on center

OPERATION

- Lever style handles
- Maximum handle rotation angle is 90° to full on for either handle
- Rotate hot side handle counterclockwise to open and clockwise to close
- Rotate cold side handle clockwise to open and counterclockwise to close

FLOW

- Flow is limited to 1.5 gpm max (5.7 L/min) at 60 psi
- Features a laminar flow pattern for dramatic water presentation

CARTRIDGE

- 1224 cartridge design with nonmetallic/nonferrous and stainless steel materials

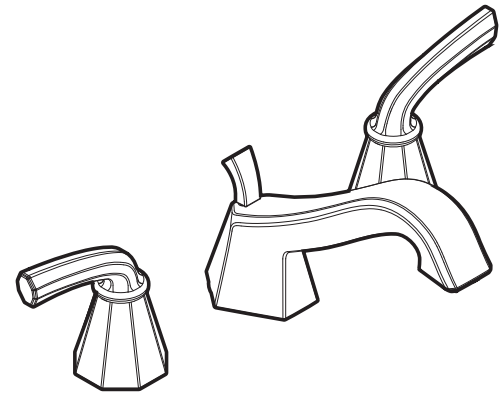
STANDARDS

- Third party certified to WaterSense,® CSA B125.1, ASME A112.18.1, ICC A117.1 and all applicable requirements referenced therein
- Certified to ANSI/NSF 61/9
- Contains no more than 0.25% weighted average lead content
- Complies with California Proposition 65 and with the Federal Safe Drinking Water Act

- ADA  for lever handle

WARRANTY

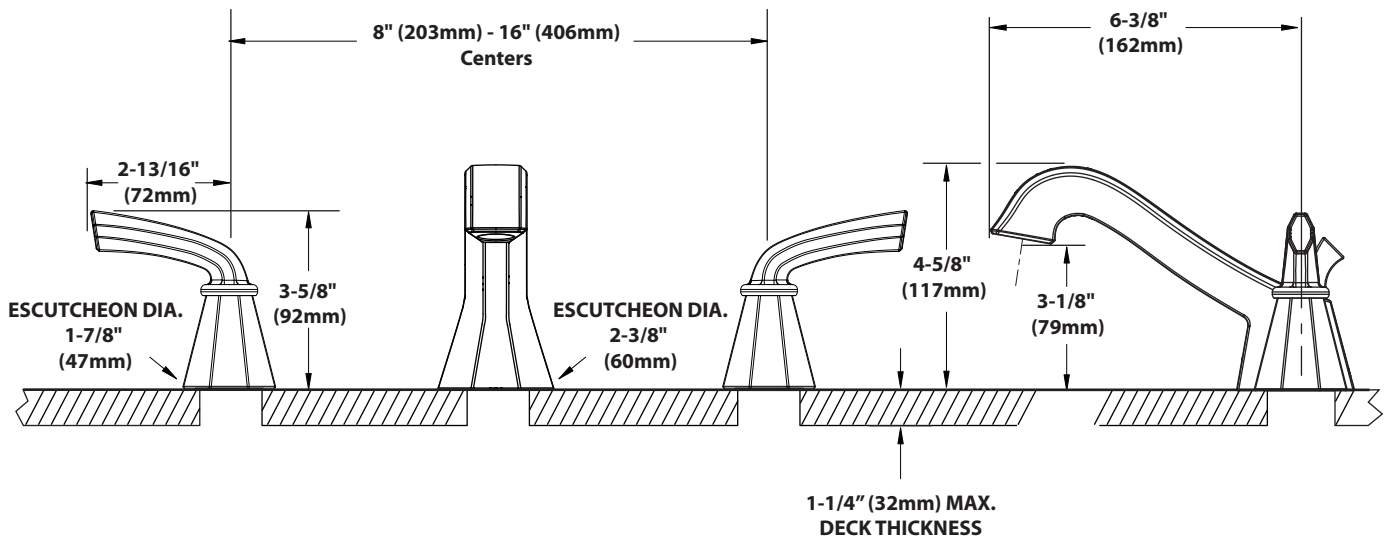
- Lifetime limited warranty against leaks, drips and finish defects to the original consumer purchaser
- 5 year warranty if used in commercial installations



FELICITY™ Two-Handle Widespread Lavatory Faucet Trim

Models: TS447 series

Valve: 9000



CRITICAL DIMENSIONS

(DO NOT SCALE)

FOR MORE INFORMATION CALL: 1-800-BUY-MOEN

www.moen.com