



Buy it for looks. Buy it for life.®

Specifications

DESCRIPTION

- Metal construction with various finishes identified by suffix
- Single function hand shower

OPERATION

- Lever style handles
- Rotate hot side handle counterclockwise to open and clockwise to close.
- Rotate cold side handle clockwise to open and counterclockwise to close

FLOW

- Hand shower meets 2.5 gpm max. (9.5 L/min)

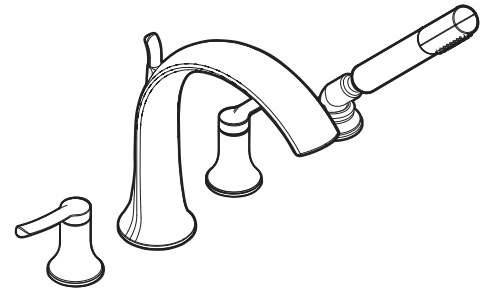
STANDARDS

- Third party certified to CSA B125.1, ASME A112.18.1 and all applicable requirements referenced therein including ASSE 1014

- **ADA**  for lever handle

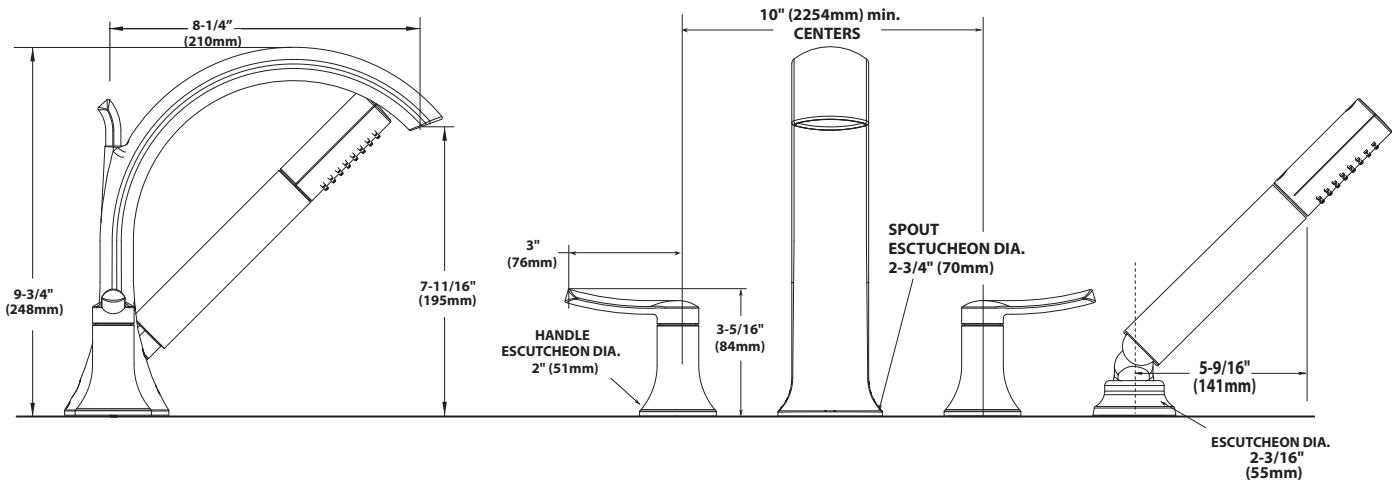
WARRANTY

- Lifetime limited warranty against leaks, drips and finish defects to the original consumer purchaser
- 5 year warranty if used in commercial installations



FINA™
Two-Handle Roman Tub Faucet Trim
with Integral Diverter

Models: TS21704 Series
Valves: 9992, 9993



NOTE: THE INSTALLATION SHOWN IS FOR TILE DECKS, THIS VALVE WILL ALSO FIT STEEL, CAST IRON OR PLASTIC DECKS



CRITICAL DIMENSIONS

(DO NOT SCALE)

FOR MORE INFORMATION CALL: 1-800-BUY-MOEN

www.moen.com