

FAUCET DESCRIPTION

- Metal construction with Chrome plated or Classic Brushed Nickel finish
- Copper or brass waterways
- 1/2" IPS connections
- Supplied with vandal resistant screws

OPERATION

- 4" Wrist blade style handles with hot and cold color indicators
- Hot side counterclockwise (1/4) turn to open (clockwise to close)
- Cold side clockwise (1/4) turn to open (counterclockwise to close)

FLOW

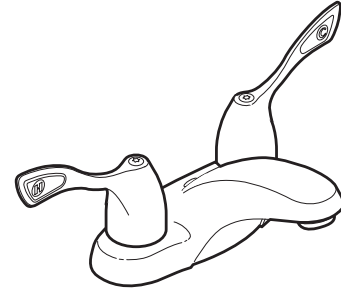
- Standard aerator is limited to 1.5 gpm max. (5.7 L/min)
- 1224 cartridge design
- Nonmetallic and stainless steel material

STANDARDS

- Third party certified to WaterSense® (only applies to 1.5 gpm), ASME A12.18.1/CSA B125.1, and all applicable requirements referenced therein including NSF 61/9
- Contains no more than 0.25% weighted average lead content
- Complies with California Proposition 65 and with the Federal Safe Drinking Water Act
- **ADA** for lever handles

WARRANTY

- Warranted for five years against material or manufacturing defects



Two-Handle Lavatory Faucet				
MODEL	FLOW (gpm)	DRAIN	FINISH	WATERSENSE CERTIFIED
8800	1.5	Without	Chrome	x
8800CBN	1.5	Without	CBN	x
8800F05	0.5	Without	Chrome	
8800F03	0.35	Without	Chrome	
8810	1.5	Grid	Chrome	x
8820	1.5	Metal	Chrome	x
8820CBN	1.5	Metal	CBN	x

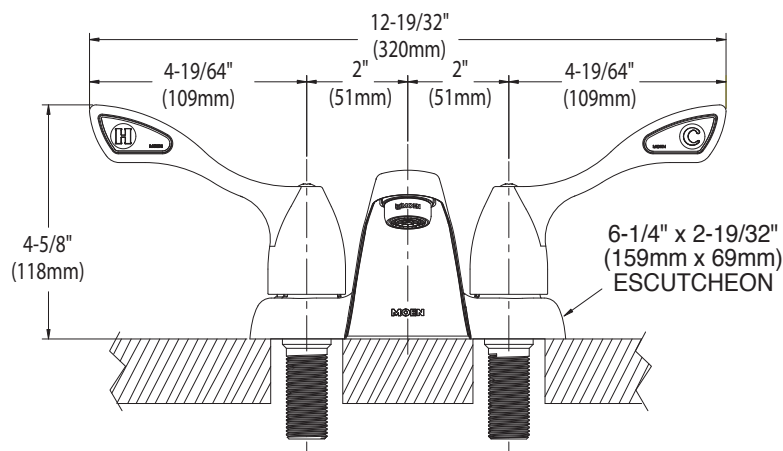
CBN-Classic Brushed Nickel



See table above

NOTE: Without drain assembly designed to be installed through 2 - 1" min. dia. holes 4" on center

NOTE: With drain assembly designed to be installed through 3 - 1" min. dia. holes 2" on center



CRITICAL DIMENSIONS

(DO NOT SCALE)

