

DESCRIPTION

- Metal construction with Chrome plated or Classic Brushed Nickel finish
- Brass or copper waterways
- 1/2" IPS shanks
- Supplied with vandal resistant screws

OPERATION

- Lever style handles with hot and cold color indicators
- Hot side counterclockwise To open (clockwise to close)
- Cold side clockwise to open (counterclockwise to close)


FLOW

- Water usage is limited to these maximum flow rates as indicated by the corresponding product markings
 - ° 1.2 gpm max (4.5L/min) at 60 psi

CARTRIDGE

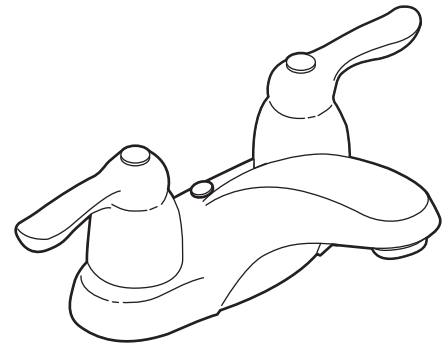
- 1224 cartridge design
- Nonmetallic and stainless steel material

STANDARDS

- Third party certified to WaterSense,® ASME A112.18.1/CSA B125.1, and all applicable requirements referenced therein
- Certified to NSF 61/9 & 372
- Products marked with 1.2 gpm are compliant with California water efficiency regulations
- Complies with California Proposition 65 and with the Federal Safe Drinking Water Act
- **ADA**  for lever handle

WARRANTY

- Warranted for 5 years against material or manufacturing defects



Two-Handle Lavatory Faucet

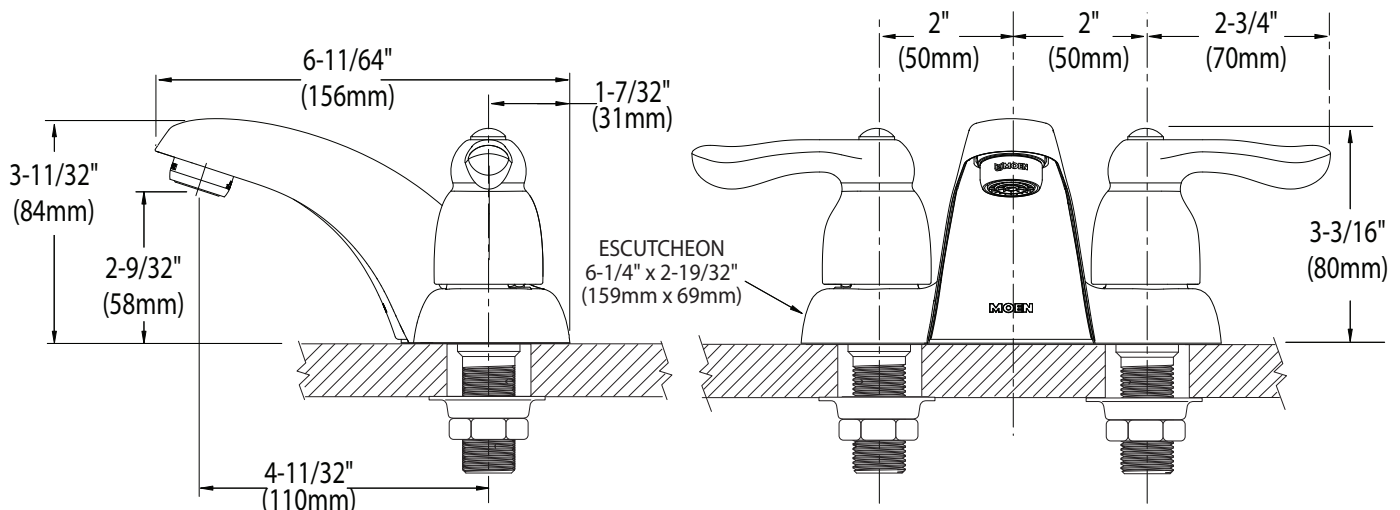
MODEL	FLOW (gpm)	DRAIN	FINISH	WATERSENSE CERTIFIED
8917	1.2	Metal	Chrome	x
8917CBN	1.2	Metal	CBN	x
8915	1.2	Without	Chrome	x
8915CBN	1.2	Without	CBN	x

CBN-Classic Brushed Nickel



See table above

NOTE: Designed to install through 3-1" min. dia. holes 2" on center



CRITICAL DIMENSIONS

(DO NOT SCALE)