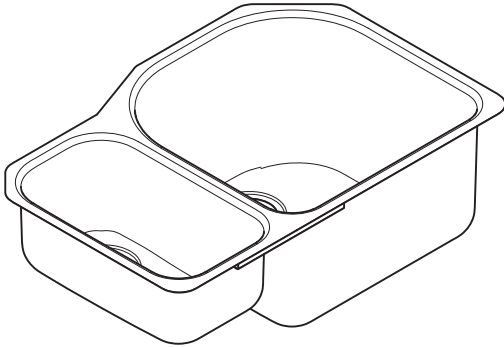




Buy it for looks. Buy it for life.®

Specifications



Model Number	Depth-Inches (left bowl, right bowl)	Drain Placement	Model Specified
G18237	6,10	Rear	

SINK DESCRIPTION

- 1800 Series double bowl undermount sink
- 18 gauge stainless steel, Brushed finish
- Rear drain location
- Mounting brackets included, other standard mounting hardware and silicone sealant not included
- SoundSHIELD sound absorbing system

CUT OUT DIMENSIONS

- Template included - template number 22521

STANDARDS

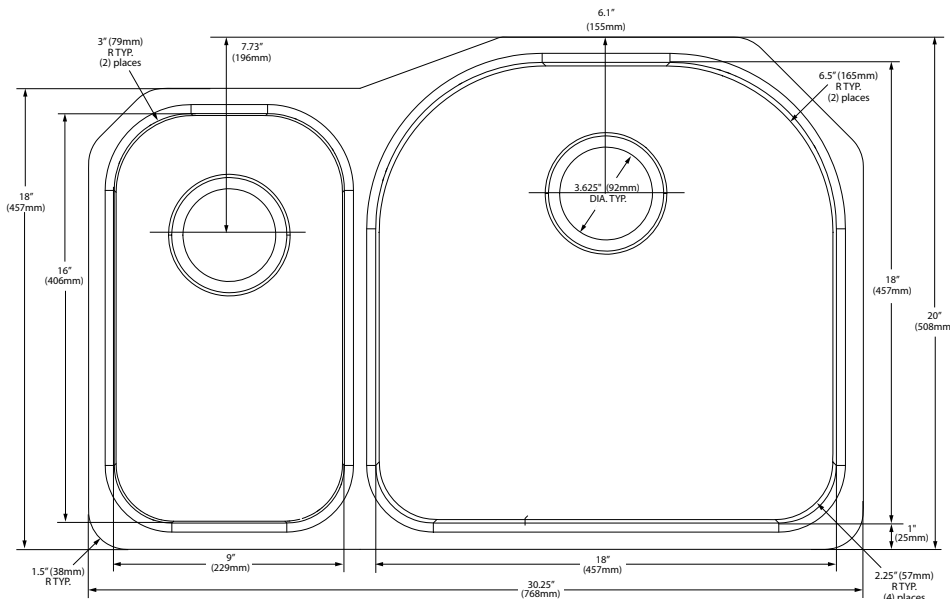
- Third party certified by IAPMO to meet ASME A112.19.3 and all applicable specifications referenced therein

WARRANTY

- Limited lifetime warranty against material or manufacturing defects to the original consumer purchaser

CRITICAL DIMENSIONS

(DO NOT SCALE)



MADE IN THE USA

Installation Detail

