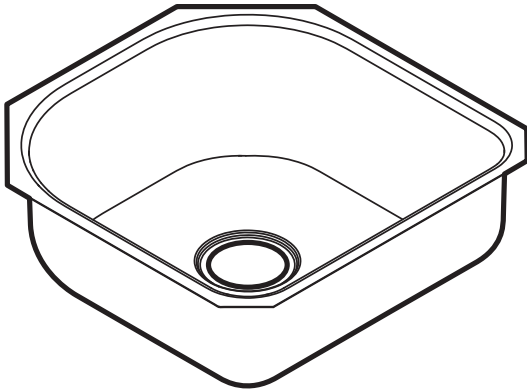




Buy it for looks. Buy it for life.®

Specifications



Model Number	Depth-Inches	Drain Placement	Model Specified
G20160	6.5	Center	

SINK DESCRIPTION

- 2000 Series single bowl undermount sink
- 20 gauge stainless steel, Brushed finish
- Center drain location
- Mounting brackets included, other standard mounting hardware and silicone sealant not included
- SoundSHIELD sound absorbing system

CUT OUT DIMENSIONS

- Template included - template number 22510

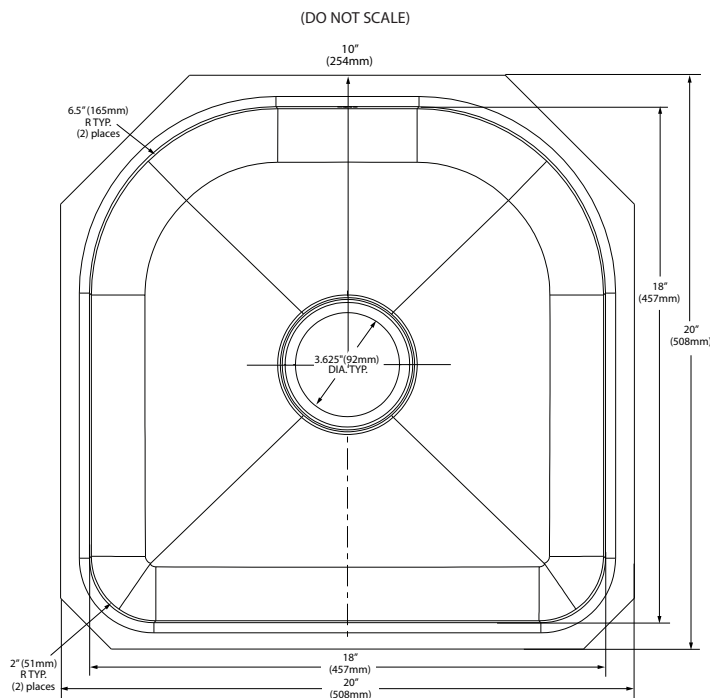
STANDARDS

- Third party certified by IAPMO to meet ASME A112.19.3/CSA B45.4 and all applicable specifications referenced

WARRANTY

- Limited lifetime warranty against material or manufacturing defects to the original consumer purchaser

CRITICAL DIMENSIONS



MADE IN THE USA

Installation Detail

