



Buy it for looks. Buy it for life.®

Specifications

Model Number	Faucet Holes	Depth-Inches	Drain Placement
G204502	N/A	5-1/2"	Center



SINK DESCRIPTION

- 2000 Series single bowl undermount sink
- 20 gauge stainless steel, brushed finish
- Mounting brackets included, no other hardware included
- SoundSHIELD™ sound absorbing system

WARRANTY

- Lifetime limited warranty to the original homeowner
- 10 year limited warranty when used in a Multi-family installation
- 5 year limited warranty when used in a Commercial installation
- Visit www.moen.com/customer-support/warranty for complete details and limitations

SINK DIMENSIONS

- Overall: 12" x 14"
- Bowl: 10" x 12"
- Drain Size: 2"

CUT OUT DIMENSIONS

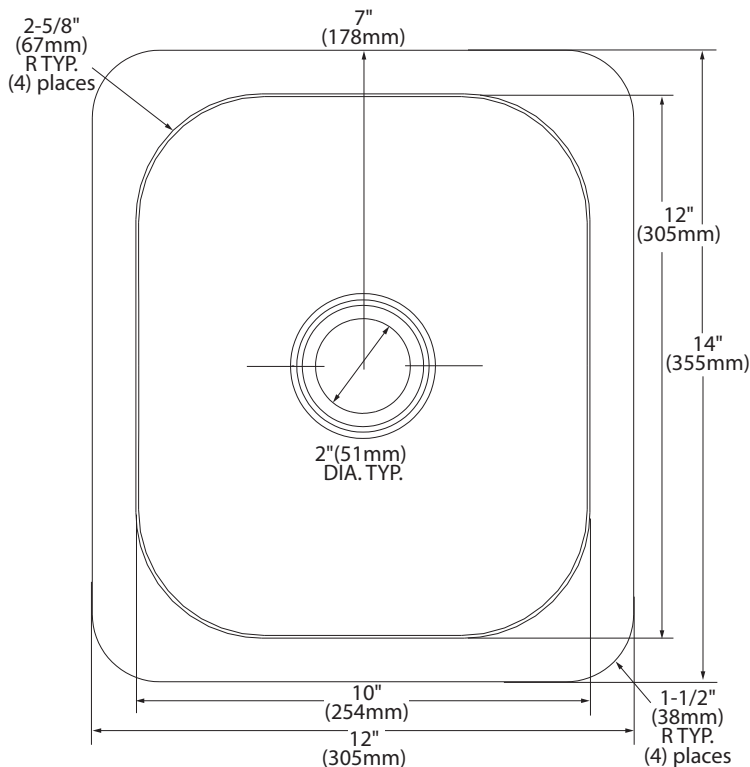
- Cut out template included
- Template ordering number 22001

STANDARDS

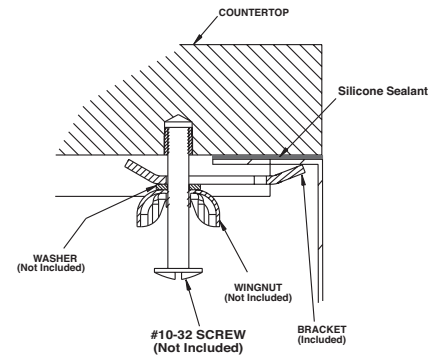
- Third party certified to meet ASME A112.19.3/CSA B45.4 and all applicable specifications referenced therein

CRITICAL DIMENSIONS

(DO NOT SCALE)



Installation Detail



MADE IN THE USA