



Buy it for looks. Buy it for life.®

Specifications

DESCRIPTION

- Various finishes identified by suffix
- Handheld shower
- 69" double interlock spiral hose (metal)
- Double check valves in handshower
- Adjustable wall bracket

OPERATION

- 4 function massage, vigorous, full & combination
- Wall bracket rotates to adjust angle of handshower

FLOW

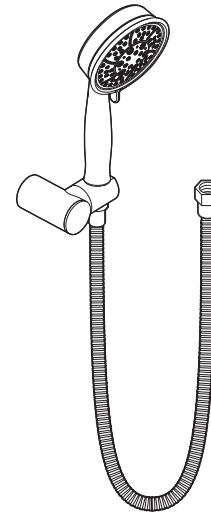
- EP suffix models are limited to 2.0 gpm (7.6 L/min) max. at 80 psi

STANDARDS

- Designed and manufactured to comply with the applicable requirements of WaterSense®, ASME A112.18.1/CSA B-125.1, ASSE 1014 and all applicable specifications referenced therein
- EP suffix models are third party certified to WaterSense®

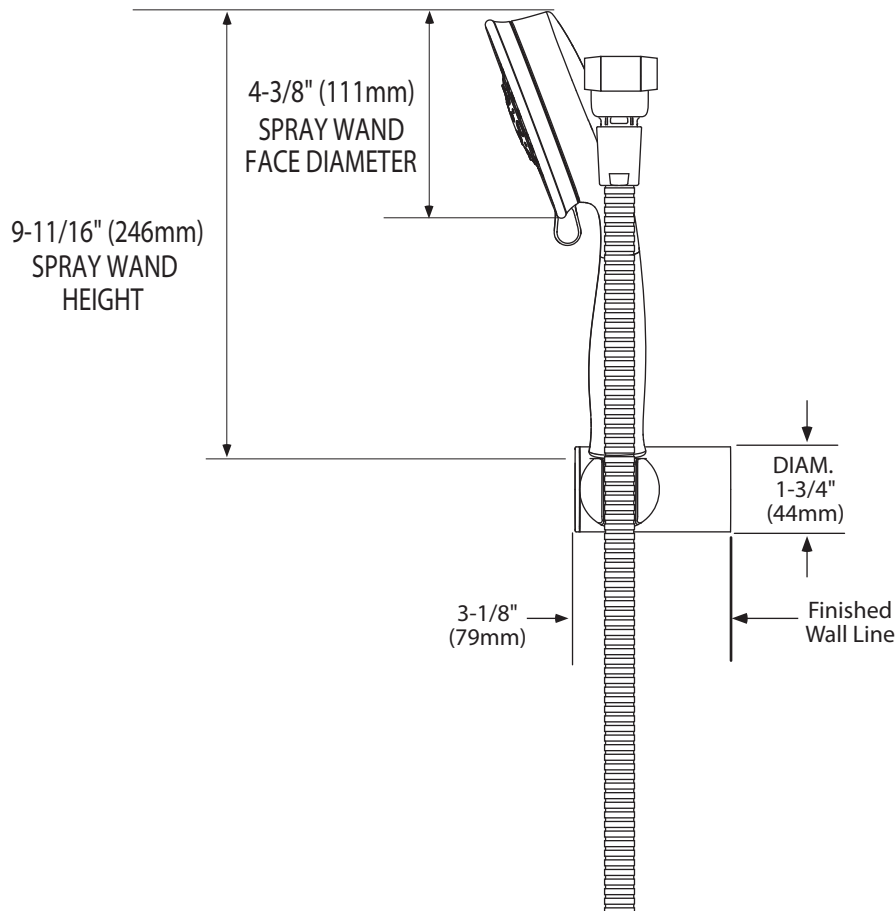
WARRANTY

- Lifetime limited warranty against materials or manufacturing defects



Handshower with Bracket & Hose

Model: 3636EP series



CRITICAL DIMENSIONS

(DO NOT SCALE)

FOR MORE INFORMATION CALL: 1-800-BUY-MOEN

www.moen.com