



Buy it for looks. Buy it for life.®

# Specifications


## DESCRIPTION

- Metal construction with various finishes identified by suffix

## OPERATION

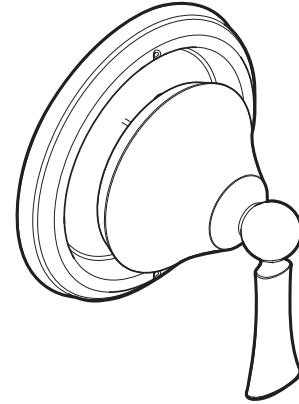
- Rotational control with 180° of rotation with stops

## STANDARDS

- Third party certified to ASME A112.18.1/CSA B125.1 and all applicable requirements referenced therein
- **ADA**  for lever handle

## WARRANTY

- Lifetime limited warranty against leaks, drips and finish defects to the original consumer purchaser
- 5 year warranty if used in commercial installations

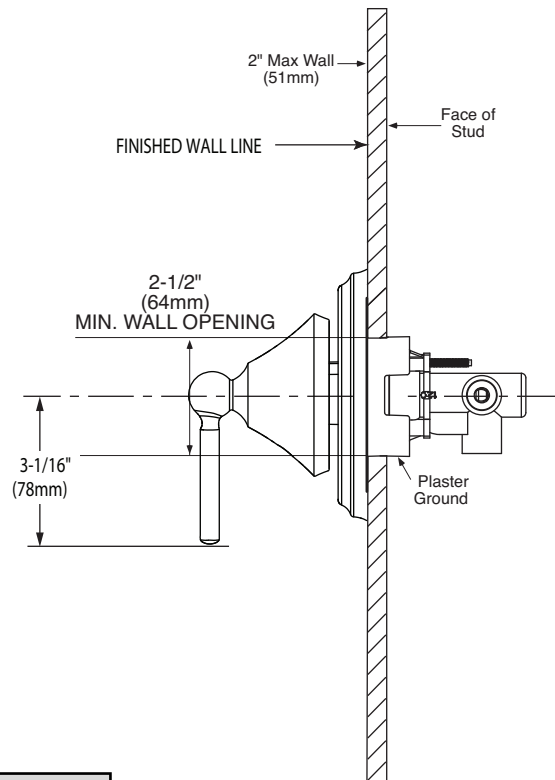


## WYNFORD™ Multi-Function Transfer Valve Trim Kit

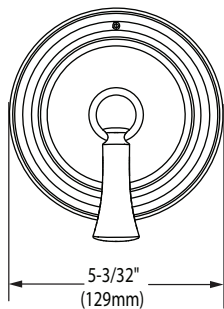
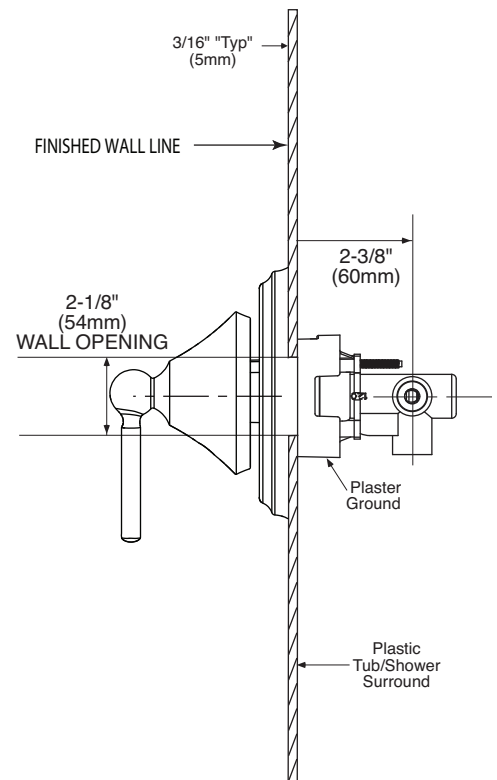
**Models:** T4511 series

**Valve:** 3372 or 3375

### Thick Wall Installation



### Thin Wall Installation



## CRITICAL DIMENSIONS

(DO NOT SCALE)

