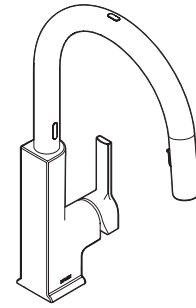


# MOEN®

# Specifications

There is more than one version of this model.  
Page down to identify the version you have.



## STo with MotionSense™ Single Handle High Arc Pulldown Kitchen Faucet

Models: S72308E series

**NOTE:** THIS FAUCET IS DESIGNED TO BE  
INSTALLED THROUGH 1 HOLE, 1-1/2"  
(38mm) MIN. DIA.



### FAUCET DESCRIPTION

- Versatile, hands-free convenience in the kitchen
- Power Clean™ spray technology
- Allows users to control the faucet in 3 unique ways: Wave Sensor, Ready Sensor and familiar handle
- Powered by 6 AA batteries or optional AC adapter with power splitter
- Reflex™ pulldown system offers smooth operation, easy movement and secure docking
- Metal construction with various finishes identified by suffix
- Duralock™ Quick connect
- Pulldown spray with 68" braided hose
- Control box flexible supply lines with 3/8" compression fittings
- High arc spout provides height and reach to fill or clean large pots while pull down wand provides the maneuverability for cleaning or rinsing

### OPERATION

- Lever style handle
- Temperature controlled by 100° arc of handle travel
- Operates with less than 5 lbs. of force
- Operates in stream or spray mode in the pulldown or retracted position
- Spout rotates 100 degrees

### FLOW

- Flow is limited to 1.5 gpm (5.7 L/min) at 60 psi

### CARTRIDGE

- 1255™ Duralast™ cartridge

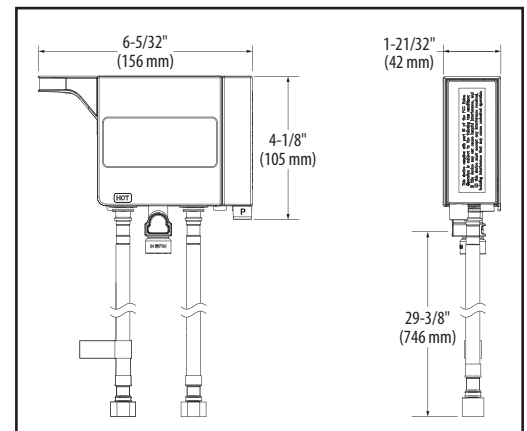
### STANDARDS

- Third party certified to IAPMO Green, ASME A112.18.1/CSA B125.1 and all applicable requirements referenced therein including NSF 61/9G & 372
- Meets CalGreen and Georgia SB370 requirements
- Complies with California Proposition 65 and with the Federal Safe Drinking Water Act
- The backflow protection system in the device consists of two independently operating check valves, a primary and a secondary which prevent backflow
- ADA ♿ for lever handle

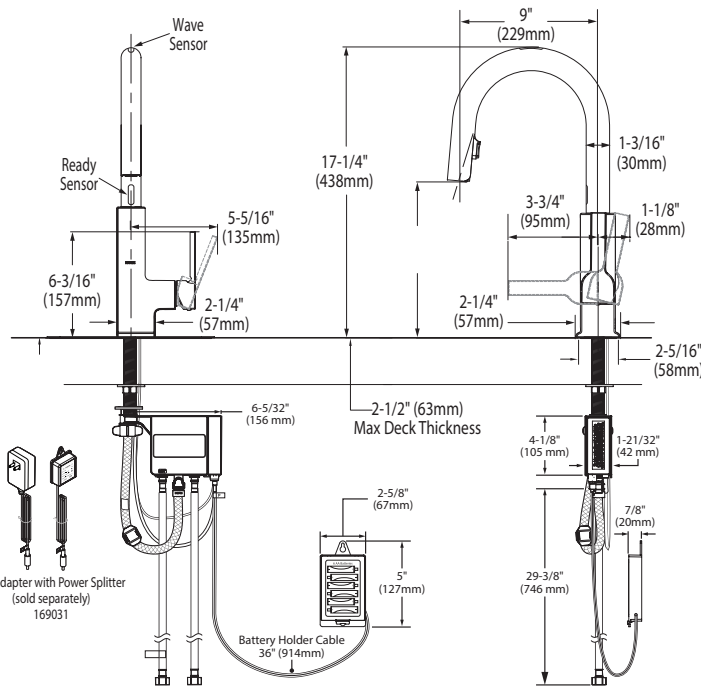
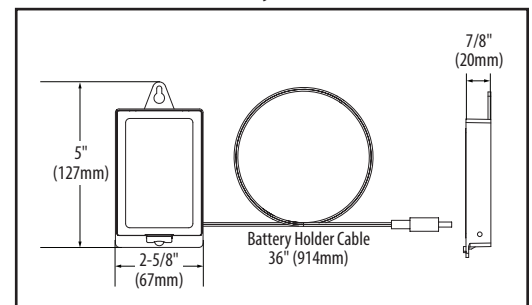
### WARRANTY

- Limited lifetime warranty against leaks, drips, finish defects to the original consumer purchaser
- 5 year warranty electronic operation defects to the original consumer purchaser
- 5 year warranty against leaks, drips, finish defects if used in commercial installations
- 1 year warranty against electronic operation defects if used in commercial installations

### Close up view of Control Box

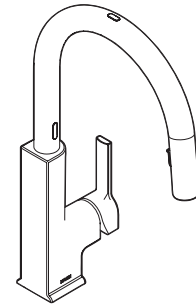


### Battery Holder



### CRITICAL DIMENSIONS

(DO NOT SCALE)



## STo with MotionSense™ Single Handle High Arc Pulldown Kitchen Faucet

Models: S72308E series

**NOTE:** THIS FAUCET IS DESIGNED TO BE  
INSTALLED THROUGH 1 HOLE, 1-1/2"  
(38mm) MIN. DIA.



### FAUCET DESCRIPTION

- Versatile, hands-free convenience in the kitchen
- Power Clean™ spray technology
- Allows users to control the faucet in 3 unique ways: Wave Sensor, Ready Sensor and familiar handle
- Powered by 6 AA batteries or optional AC adapter with power splitter
- Reflex™ pulldown system offers smooth operation, easy movement and secure docking
- Metal construction with various finishes identified by suffix
- Duralock™ Quick connect
- Pulldown spray with 68" braided hose
- Control box flexible supply lines with 3/8" compression fittings
- High arc spout provides height and reach to fill or clean large pots while pull down wand provides the maneuverability for cleaning or rinsing

### OPERATION

- Lever style handle
- Temperature controlled by 100° arc of handle travel
- Operates with less than 5 lbs. of force
- Operates in stream or spray mode in the pulldown or retracted position
- Spout rotates 100 degrees

### FLOW

- Flow is limited to 1.5 gpm (5.7 L/min) at 60 psi

### CARTRIDGE

- 1255™ Duralast™ cartridge

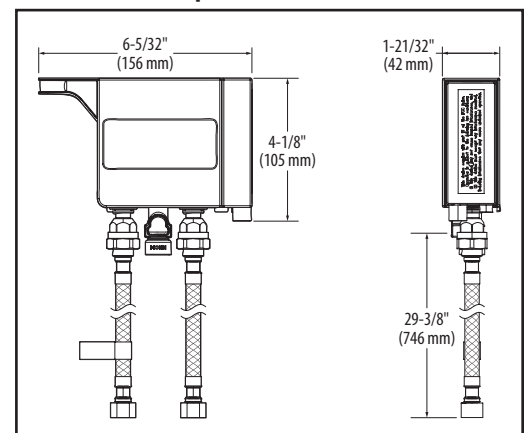
### STANDARDS

- Third party certified to IAPMO Green, ASME A112.18.1/CSA B125.1 and all applicable requirements referenced therein including NSF 61/9G & 372
- Meets CalGreen and Georgia SB370 requirements
- Complies with California Proposition 65 and with the Federal Safe Drinking Water Act
- The backflow protection system in the device consists of two independently operating check valves, a primary and a secondary which prevent backflow
- ADA ♿ for lever handle

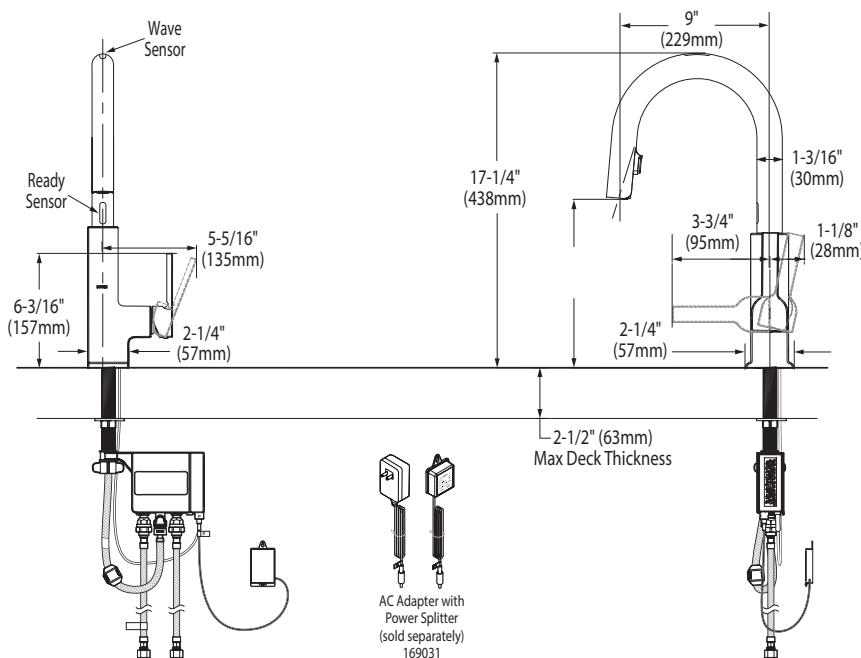
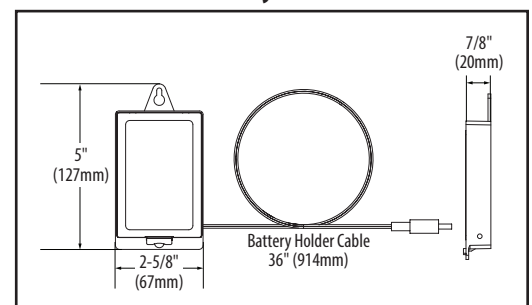
### WARRANTY

- Limited lifetime warranty against leaks, drips, finish defects to the original consumer purchaser
- 5 year warranty electronic operation defects to the original consumer purchaser
- 5 year warranty against leaks, drips, finish defects if used in commercial installations
- 1 year warranty against electronic operation defects if used in commercial installations

### Close up view of Control Box



### Battery Holder



## CRITICAL DIMENSIONS

(DO NOT SCALE)

## FAUCET DESCRIPTION

- Versatile, hands-free convenience in the kitchen
- Power Clean™ spray technology
- Allows users to control the faucet in 3 unique ways: Wave Sensor, Ready Sensor and familiar handle
- Powered by 6 AA batteries or optional AC adapter with power splitter
- Reflex™ pulldown system offers smooth operation, easy movement and secure docking
- Metal construction with various finishes identified by suffix
- Duralock™ Quick connect
- Pulldown spray with 68" braided hose
- Control box flexible supply lines with 3/8" compression fittings
- High arc spout provides height and reach to fill or clean large pots while pull down wand provides the maneuverability for cleaning or rinsing

## OPERATION

- Lever style handle
- Temperature controlled by 100° arc of handle travel
- Operates with less than 5 lbs. of force
- Operates in stream or spray mode in the pulldown or retracted position
- Spout rotates 100 degrees

## FLOW

- Flow is limited to 1.5 gpm (5.7 L/min) at 60 psi

## CARTRIDGE

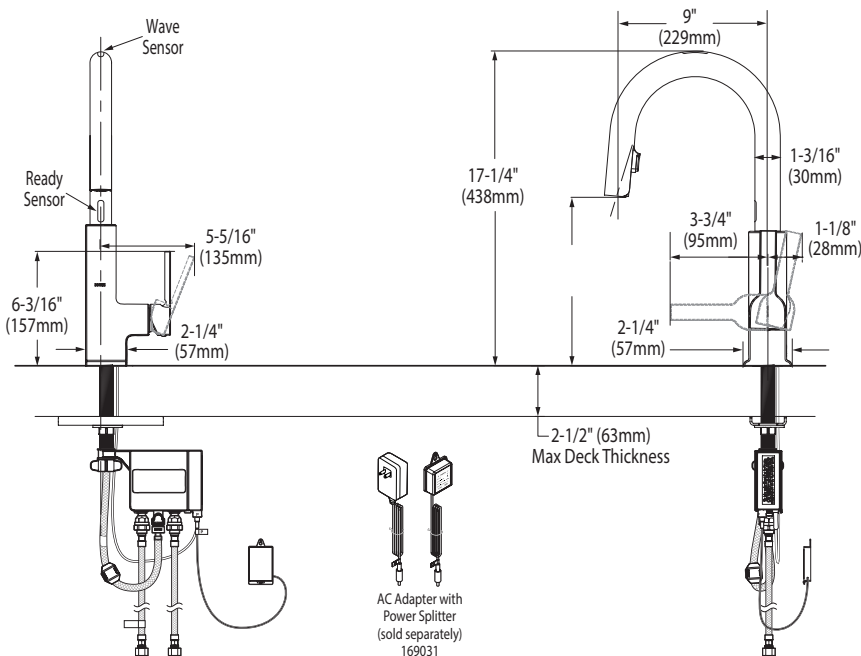
- 1255™ Duralast™ cartridge

## STANDARDS

- Third party certified to IAPMO Green, ASME A112.18.1/CSA B125.1 and all applicable requirements referenced therein including NSF 61/9G & 372
- Meets CalGreen and Georgia SB370 requirements
- Complies with California Proposition 65 and with the Federal Safe Drinking Water Act
- The backflow protection system in the device consists of two independently operating check valves, a primary and a secondary which prevent backflow
- ADA ♿ for lever handle

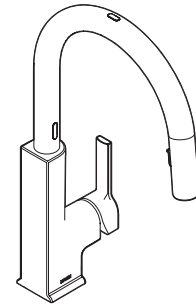
## WARRANTY

- Limited lifetime warranty against leaks, drips, finish defects to the original consumer purchaser
- 5 year warranty electronic operation defects to the original consumer purchaser
- 5 year warranty against leaks, drips, finish defects if used in commercial installations
- 1 year warranty against electronic operation defects if used in commercial installations



## CRITICAL DIMENSIONS

(DO NOT SCALE)



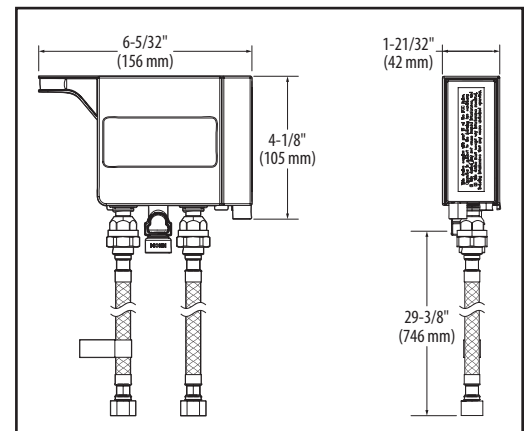
## STo with MotionSense™ Single Handle High Arc Pulldown Kitchen Faucet

Models: S72308E series

**NOTE:** THIS FAUCET IS DESIGNED TO BE  
INSTALLED THROUGH 1 HOLE, 1-1/2"  
(38mm) MIN. DIA.



## Close up view of Control Box



## Battery Holder

