



Buy it for looks. Buy it for life.®

# Specifications

## DESCRIPTION

- Various finishes identified by suffix
- Handheld shower
- 69" double interlock spiral hose (metal)
- Double check valve in handle
- 30" slide bar with push button height selection

## OPERATION

- Single function
- Handshower holder rotates to adjust angle of handshower

## FLOW

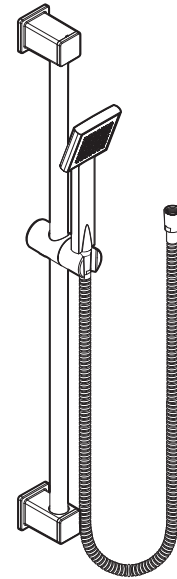
- EP17 suffix models designed to deliver 1.75 gpm (6.7 L/min) max
- EP suffix models designed to deliver 2.0 gpm (7.6 L/min) max at 80 psi

## STANDARDS

- Designed and manufactured to meet: ASME A112.18.1/CSA B-125.1, ASSE 1014 and all applicable specifications referenced therein

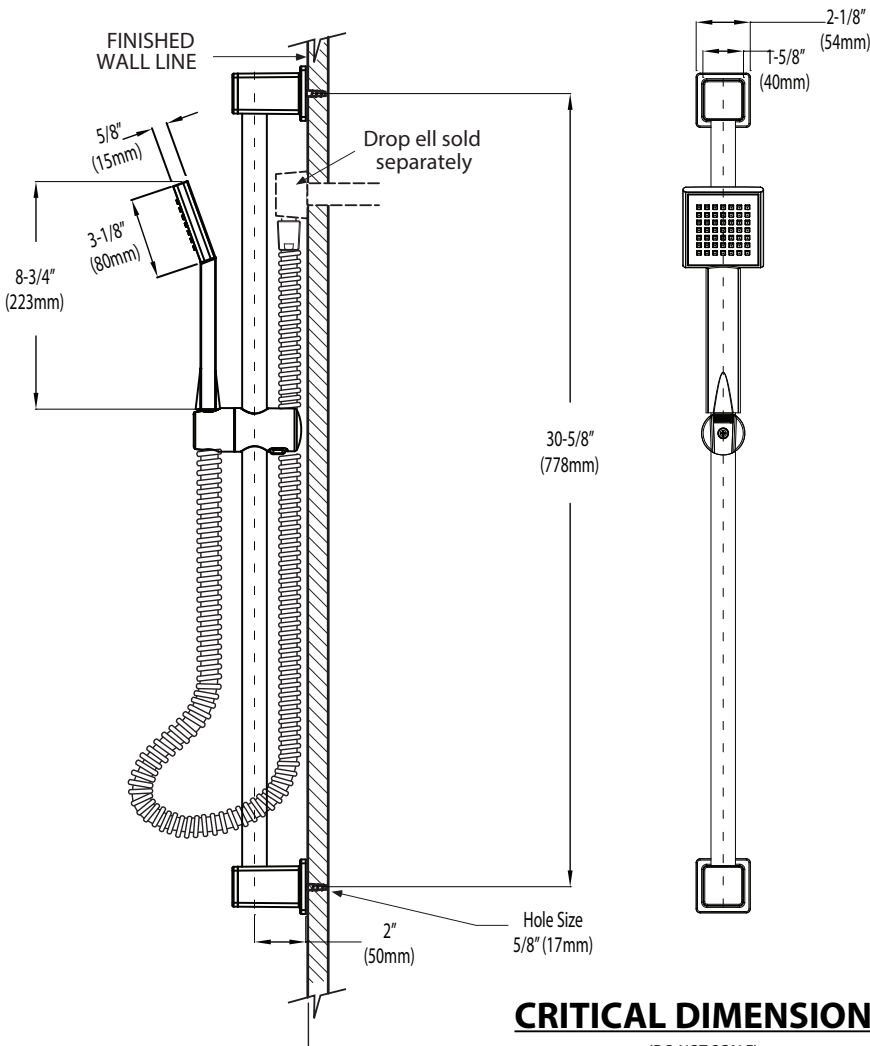
## WARRANTY

- Limited lifetime warranty against material or manufacturing defects



## 90 DEGREE™ Single Function Handshower w/Slide Bar

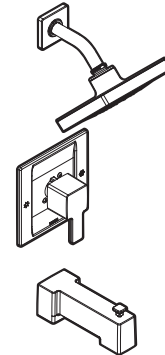
Model: S3879EP series





Buy it for looks. Buy it for life.®

# Specifications



## 90 DEGREE™ POSI-TEMP™ Single-Handle Tub/Shower Trim Kit

**Model:** TS2711 series - valve trim only  
 TS2712 series - shower trim only  
 TS2713 series - tub/shower trim only

**Valves:** 62300, 2500 series



### FAUCET DESCRIPTION

- Metal construction with various finishes identified by suffix
- Includes showerhead, arm, flange and diverter spout

### OPERATION

- Lever style handle with temperature indicator on the escutcheon
- Handle operates counterclockwise through a 270° arc with off at 6 o'clock and maximum hot at the 9 o'clock position. Shut off in clockwise direction
- Adjustable temperature limit stop to control maximum hot water temperature
- Pressure balancing mechanism maintains selected discharge temperature to ± 3.6° F (±2° C)

### FLOW

- Showerhead is limited to 2.5 gpm (9.5 L/min) at 80 psi
- EP suffix models are limited to 1.75 gpm (6.6 L/min) at 80 psi
- NH suffix models contain no showerhead

### CARTRIDGE

- 1222 cartridge design
- Nonmetallic/nonferrous and stainless steel materials
- Accommodates back to back installations

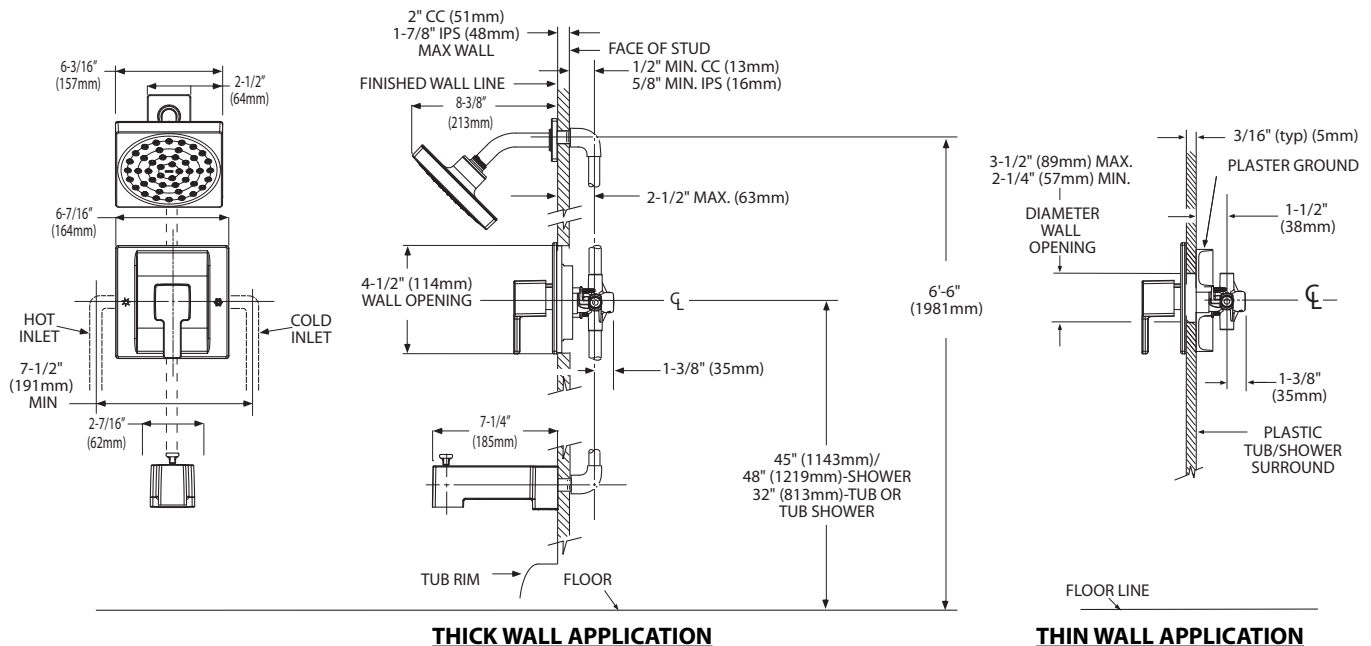
### STANDARDS

- Third party certified to meet ASME A112.18.1/CSA B125.1 and all applicable requirements referenced therein
- EP suffix models are third party certified to WaterSense®

- **ADA** for lever handle

### WARRANTY

- Lifetime limited warranty against leaks, drips and finish defects to the original consumer purchaser
- 5 year warranty if used in commercial installations



## CRITICAL DIMENSIONS

(DO NOT SCALE)



Buy it for looks. Buy it for life.®

# Specifications

## DESCRIPTION

- Brass construction
- 1/2" CC, IPS, or PEX connections with 1/4 turn stops
- Pressure balancing, four port, cycle valve

## OPERATION

- Adjustable temperature limit stop to control maximum hot water temperature
- Pressure balancing mechanism maintain selected discharge temperature to  $\pm 3^{\circ}\text{F}$

## CARTRIDGE

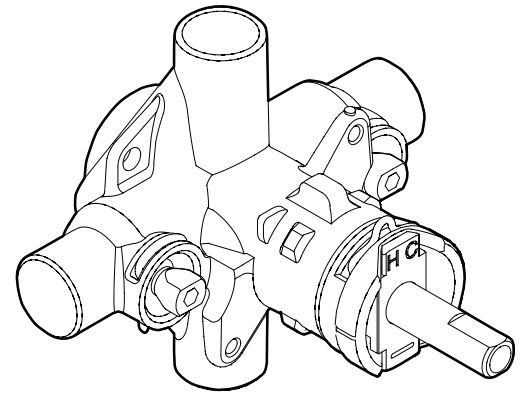
- 1222 cartridge design
- Nonmetallic/nonferrous and stainless steel materials
- Accommodates back to back installations

## STANDARDS

- Third party certified to meet CSA B125.1, ASME A112.18.1, ASSE 1016, and all applicable requirements referenced therein
- Moen's Posi-Temp® and Moentrol® valves with graphite composite spools combined with Moen's Eco-performance showerheads meet the performance requirements of pressure and temperature variation of ASSE1016 when tested as low as 1.5 gpm

## WARRANTY

- Lifetime limited warranty against leaks, drips and finish defects to the original consumer purchaser
- 5 year warranty if used in commercial installations



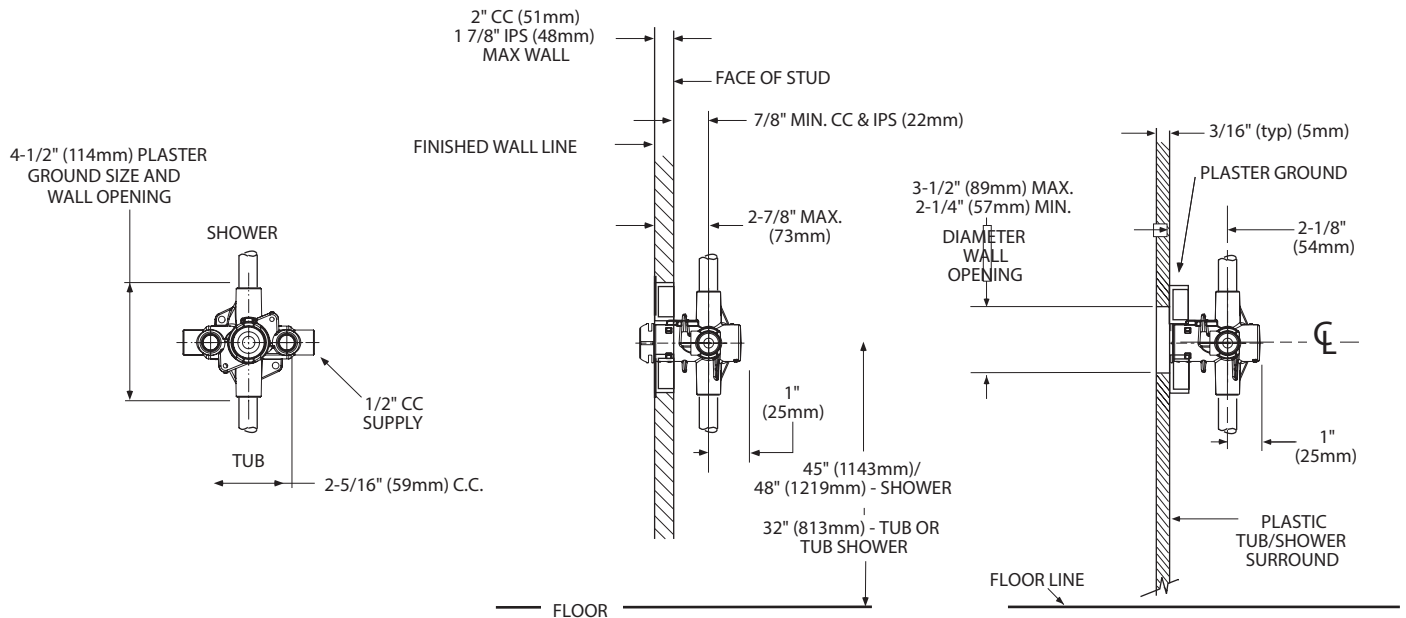
### POSI-TEMP® VALVE Pressure-Balancing Valve with 1/4 Turn Stops

#### Single Pack

Models: 2570 (CC), 2590 (IPS), 2580 (PEX)

#### Bulk Packed

Models: 62370 (CC), 62390 (IPS)  
(Bulk packed 12 per carton)



## CRITICAL DIMENSIONS

(DO NOT SCALE)



Buy it for looks. Buy it for life.®

# Specifications


## DESCRIPTION

- Metal construction with various finishes identified by suffix

## OPERATION

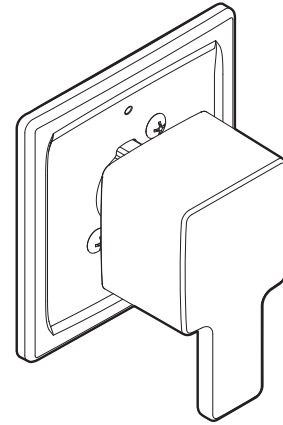
- Rotational control with 180° of rotation with stops

## STANDARDS

- Third party certified to ASME A112.18.1/CSA B125.1 and all applicable requirements referenced therein
- **ADA**  for lever handle

## WARRANTY

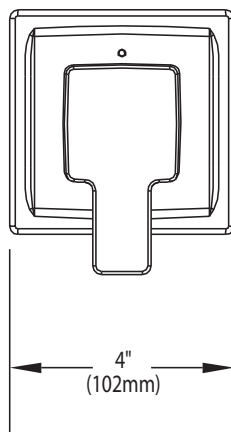
- Lifetime limited warranty against leaks, drips and finish defects to the original consumer purchaser
- 5 year warranty if used in commercial installations



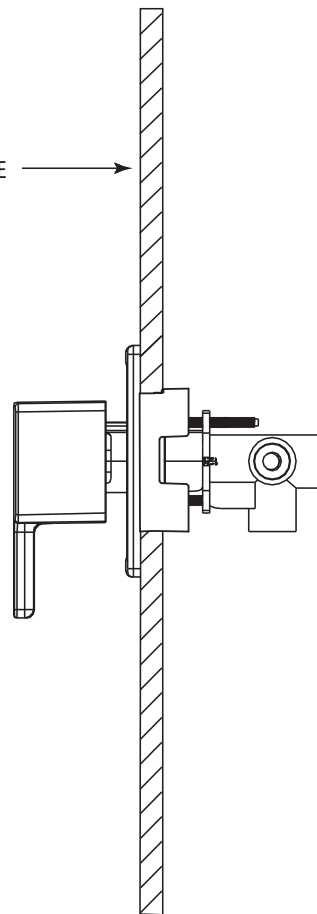
### 3-Function Transfer Valve Trim Kit

**Models:** TS4172 series

**Valve:** 3372



FINISHED WALL LINE →



## CRITICAL DIMENSIONS

(DO NOT SCALE)



Buy it for looks. Buy it for life.®

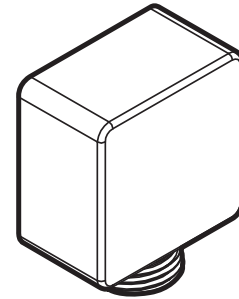
# Specifications

### DESCRIPTION

- Metal construction with various finishes identified by suffix

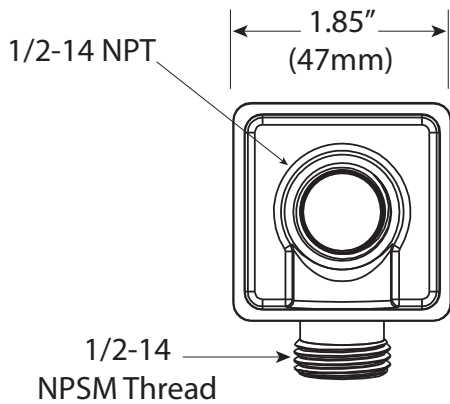
### WARRANTY

- Lifetime warranty against material or manufacturing defects

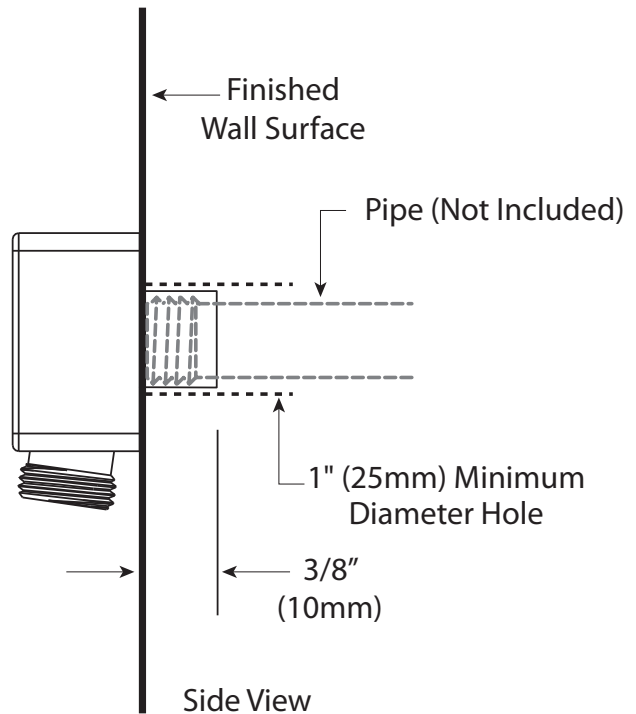


**DROP ELL**

**Models:** A721 series



Back View



Side View

## CRITICAL DIMENSIONS

(DO NOT SCALE)



Buy it for looks. Buy it for life.®

# Specifications

## DESCRIPTION

- Two function transfer valve - 2 discrete outputs

## OPERATION

- 180° rotational control

## CARTRIDGE

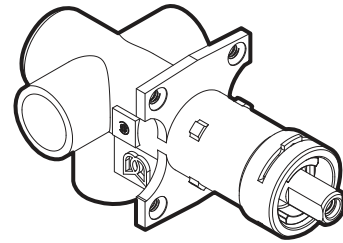
- 162154 cartridge

## STANDARDS

- Third party certified to ASME A112.18.1/CSA B125.1 and all applicable requirements referenced therein

## WARRANTY

- Lifetime limited warranty against leaks and drips to the original consumer purchaser
- 5 year warranty if used in commercial installations



## 2-Function Transfer Valve

Model: 3375

