

TUB FILLER WITH DIVERTER

Cat. No.
4010

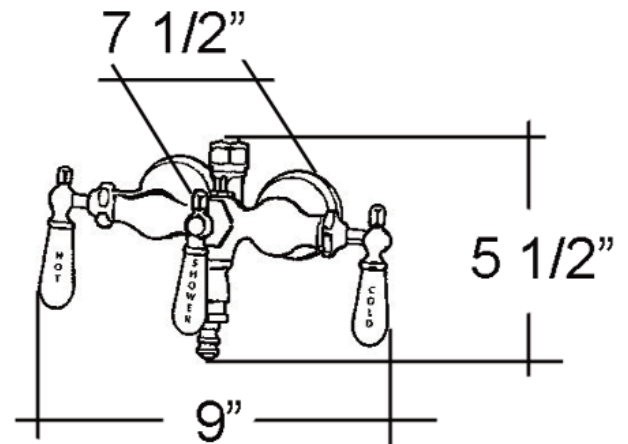


Features:

- ▶ Old Style Spigot
- ▶ 1/4 Turn Ceramic Disc Cartridges
- ▶ 3-3/8" Centers
- ▶ Flow Rate is 3.34 GPM
- ▶ Solid Brass Adjustable Shower Head Included
- ▶ Acrylic Tub Use Only (Part# 4030 for Cast Iron Tub)
- ▶ 4195WS Wall Support to be purchased separately
- ▶ To Be Used with Double Offset Supplies #5576

Finishes:

CP	Polished Chrome	ORB	Oil Rubbed Bronze
BP	Polished Brass	SN	Brushed Nickel



Riser Height: 62"

Dimensions are nominal and may vary. Dimensions and specifications subject to change without notice.