

TUB FILLER

Cat. No.
4051



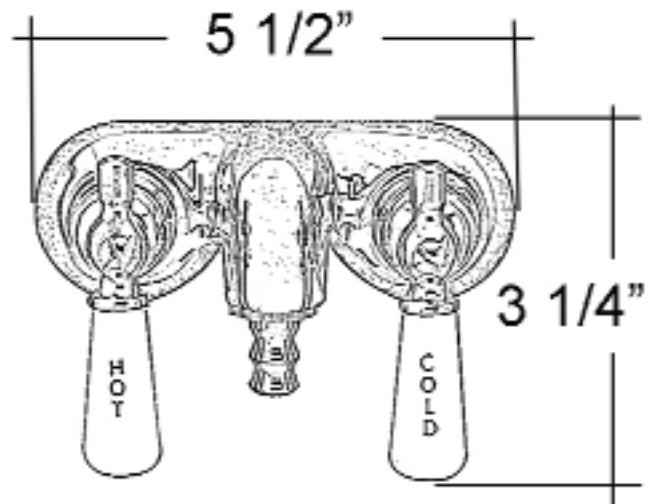
L: 3 1/4"
W: 5 1/2"
D: 3 3/4"

Features:

- ▶ Old Style Spigot
- ▶ 1/4 Turn Ceramic Disc Cartridges
- ▶ 3 3/8" Centers for Tub Wall Mount Installation
- ▶ 3/4" Nipples
- ▶ Porcelain Lever Handles
- ▶ Flow rate is 3.6 GPM
- ▶ For use with Double Offset Supplies #5576

Finishes:

- CP Polished Chrome
- BP Polished Brass



Dimensions are nominal and may vary. Dimensions and specifications subject to change without notice.